

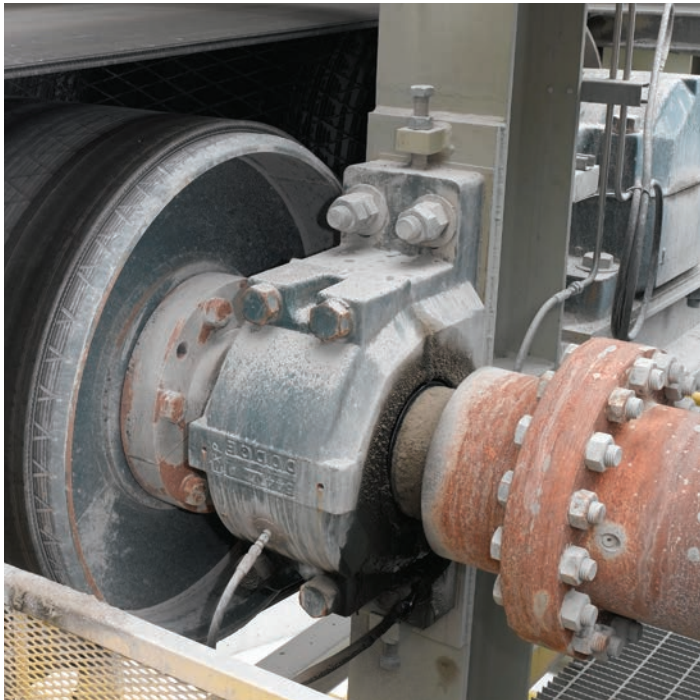
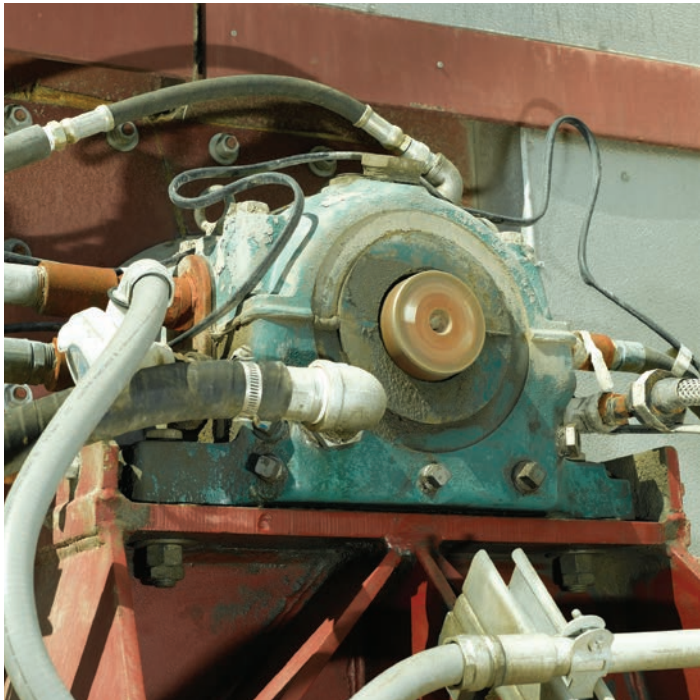


Product catalog supplement

Dodge® IP bearings - metric shaft



We provide motors, generators and mechanical power transmission products, services and expertise to improve customers' processes and optimize the total cost of ownership over the total life cycle of our products, and beyond.



Dodge IP bearings – metric shaft

Table of contents

IP ratings

03 IP spherical roller bearings

03 Definitions

Easy selection

04 IP spherical roller bearings

Imperial - IP pillow block

06 2 Bolt drawing

07 2 Bolt part numbers / dimensions

08 4 Bolt drawing

09 4 Bolt part numbers / dimensions

Imperial - IP flange - square

10 Drawing

11 Part numbers / dimensions

Imperial - IP piloted flange

12 Drawing

13 Part numbers / dimensions

Imperial - IP wide slot take-up

14 Drawing

15 Part numbers / dimensions

Dodge IP bearings – metric shaft

IP ratings

Table 1: IP Spherical roller bearings

Housing	Bearings	Maximum allowable adapter thrust kN	Basic load ratings			FA/FR ≤ e				FA/FR > e		Max. RPM ★
			Dynamic capacity (C) kN	Static capacity (C0) kN	e	X1	Y1	X2	Y2	Trident seal	Labyrinth seal	
507	22208	2.7	93	94	0.28	1.0	2.4	0.67	3.6	3975	6000	
508												
509	22209	3.1	93	105	0.26	1.0	2.6	0.67	3.9	3725	5600	
510												
511	22210	3.4	98	118	0.24	1.0	2.8	0.67	4.2	3520	5300	
512												
513	22211	4.1	120	145	0.23	1.0	2.9	0.67	4.3	3000	4500	
515												
516	22213	6	174	216	0.24	1.0	2.8	0.67	4.2	2400	3800	
517												
518	22215	7	185	236	0.22	1.0	3.1	0.67	4.6	2250	3400	
519												
520	22218	10.8	285	363	0.23	1.0	2.9	0.67	4.3	1825	2600	
522												
524	22220	13.8	369	463	0.24	1.0	2.8	0.67	4.2	1530	2200	
526												
528	22222	17.5	463	587	0.25	1.0	2.7	0.67	4.0	1325	2000	
528												
	22226	25.0	650	872	0.26	1.0	2.6	0.67	4.0	1175	1800	

★ Maximum grease speed is dependant on load and ambient conditions. Consult Dodge Engineering.
Refer to Catalog CA3000B pages B14-14 to B14-16 for information on bearing calculations, including L10 life and loads.

Table 2: Definition of operating conditions for unitised spherical roller bearings

Low speed	Up to 20% of max. RPM (table 1)
Medium speed	Over 20% to 80% of max. RPM
High speed	Over 80% of max. RPM
Light load	Up to 8% of C (table 1)
Normal load	Over 8% to 18% of C
Heavy load	Over 18% of C
	C - Dynamic capacity
Low temperature	-73°C to -7°C
Medium temperature	Over -7°C to 93°C
High temperature	Over 93°C to 122°C

Dodge IP bearings – metric shaft

Easy selection

Table 3: IP Spherical roller bearings

Housing	L10 life hours	Allowable equivalent radial load rating (kN) at various RPM																					
		50	100	150	250	500	750	1000	1300	1500	1700	1800	2000	2200	2600	2750	3000	3400	3800	4500	5300	5600	6000
507	10000	33	27	24	21	17	15	14	13	12	12	11	11	11	10	10	10	7	6	9	8	8	8
	30000	24	20	17	15	12	11	10	9	9	8	8	8	8	7	7	7	7	6	6	6	6	6
	40000	22	18	16	14	11	10	9	8	8	8	8	7	7	7	7	6	6	6	6	5	5	5
	60000	20	16	14	12	10	9	8	7	7	7	7	6	6	6	6	6	6	5	5	5	5	5
	100000	17	14	12	10	8	7	7	6	6	6	6	6	5	5	5	5	5	5	4	4	4	4
508	10000	33	27	24	21	17	15	14	13	12	12	11	11	11	10	10	10	7	6	9	8	8	8
	30000	24	20	17	15	12	11	10	9	9	8	8	8	8	7	7	7	7	6	6	6	6	6
	40000	22	18	16	14	11	10	9	8	8	8	8	7	7	7	7	6	6	6	6	5	5	5
	60000	20	16	14	12	10	9	8	7	7	7	7	6	6	6	6	6	6	5	5	5	5	5
	100000	17	14	12	10	8	7	7	6	6	6	6	6	5	5	5	5	5	5	4	4	4	4
509	10000	33	27	24	21	17	15	14	13	12	12	11	11	11	10	10	10	7	6	9	8	8	8
	30000	24	20	17	15	12	11	10	9	9	8	8	8	8	7	7	7	7	6	6	6	6	6
	40000	22	18	16	14	11	10	9	8	8	8	8	7	7	7	7	6	6	6	6	5	5	5
	60000	20	16	14	12	10	9	8	7	7	7	7	6	6	6	6	6	6	5	5	5	5	5
	100000	17	14	12	10	8	7	7	6	6	6	6	6	5	5	5	5	5	5	4	4	4	4
510	10000	35	29	25	22	18	16	14	13	13	12	12	12	11	11	11	10	7	6	10	9	9	9
	30000	25	21	18	16	13	11	10	10	9	9	9	8	8	8	8	7	7	7	7	6	6	6
	40000	23	19	17	14	12	10	10	9	8	8	8	8	8	7	7	7	7	6	6	6	6	6
	60000	21	17	15	13	10	9	8	8	7	7	7	7	6	6	6	6	6	5	5	5	5	5
	100000	18	14	13	11	9	8	7	7	6	6	6	6	6	5	5	5	5	5	4	4	4	4
511	10000	35	29	25	22	18	16	14	13	13	12	12	12	11	11	11	10	7	6	10	9	9	9
	30000	25	21	18	16	13	11	10	10	9	9	9	8	8	8	8	7	7	7	7	6	6	6
	40000	23	19	17	14	12	10	10	9	8	8	8	8	8	7	7	7	7	6	6	6	6	6
	60000	21	17	15	13	10	9	8	8	7	7	7	7	6	6	6	6	6	5	5	5	5	5
	100000	18	14	13	11	9	8	7	7	6	6	6	6	6	5	5	5	5	5	4	4	4	4
512	10000	43	35	31	27	22	19	18	16	16	15	15	14	14	13	13	9	12	12	11			
	30000	31	25	22	19	16	14	13	12	11	11	11	10	10	10	9	9	9	9	8			
	40000	29	23	21	18	14	13	12	11	10	10	10	9	9	9	9	8	8	8	7			
	60000	25	21	18	16	13	11	10	10	9	9	9	8	8	8	8	7	7	7	7			
	100000	22	18	16	13	11	10	9	8	8	8	8	7	7	7	7	6	6	6	6			
513	10000	61	50	44	38	31	27	25	23	22	21	21	20	14	19	18	18	17	17				
	30000	44	36	32	27	22	19	18	17	16	15	15	14	13	13	13	13	12	12				
	40000	40	33	29	25	20	18	16	15	15	14	14	13	13	12	12	12	11	11				
	60000	36	29	26	22	18	16	15	13	13	12	12	12	11	11	11	10	10	10				
	100000	31	25	22	19	15	14	12	12	11	11	10	10	10	9	9	9	9	8				
515	10000	67	54	48	41	33	30	27	25	24	23	23	22	15	20	20	19	19					
	30000	48	39	34	30	24	21	20	18	17	17	16	16	15	15	14	14	14					
	40000	44	36	32	27	22	20	18	17	16	15	15	15	14	13	13	13	12					
	60000	39	32	28	24	20	17	16	15	14	14	13	13	13	12	12	11	11					
	100000	33	27	24	21	17	15	14	13	12	12	11	11	11	10	10	10	9					
516	10000	67	54	48	41	33	30	27	25	24	23	23	22	15	20	20	19	19					
	30000	48	39	34	30	24	21	20	18	17	17	16	16	15	15	14	14	14					
	40000	44	36	32	27	22	20	18	17	16	15	15	15	14	13	13	13	12					
	60000	39	32	28	24	20	17	16	15	14	14	13	13	13	12	12	11	11					
	100000	33	27	24	21	17	15	14	13	12	12	11	11	11	10	10	10	9					

Use the labyrinth (S) seal for applications to the right of the vertical line.

For applications in the dark shaded areas, the maximum load for the specific speed is shown. The load does not correspond to the L10 shown.

Applications in the light shaded areas may require high temperature lubrication. Please consult Dodge Engineering.

Dodge IP bearings – metric shaft

Easy selection

Table 3: IP Spherical roller bearings (continued)

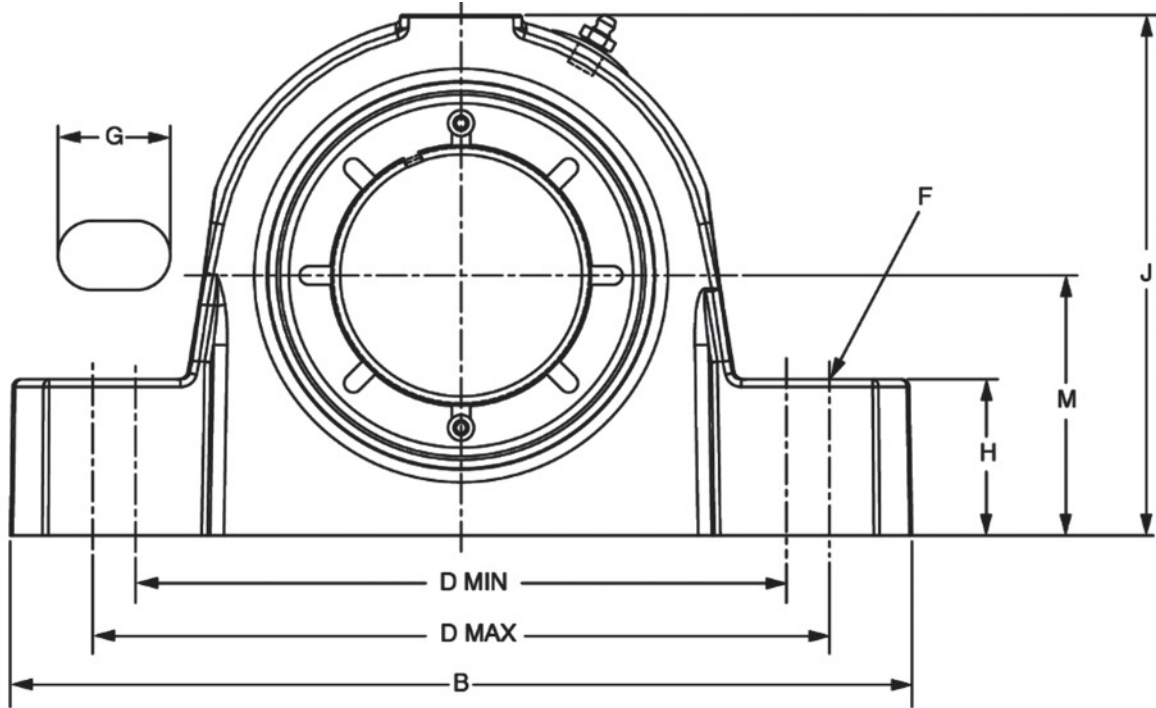
Housing	L10 life hours	Allowable equivalent radial load rating (kN) at various RPM																					
		50	100	150	250	500	750	1000	1300	1500	1700	1800	2000	2200	2600	2750	3000	3400	3800	4500	5300	5600	6000
517	10000	67	85	48	41	33	30	27	25	24	23	23	22	15	20	20	19	19					
	30000	48	61	34	30	24	21	20	18	17	17	16	16	15	15	14	14	14					
	40000	44	56	32	27	22	20	18	17	16	15	15	14	13	13	13	12	12					
	60000	39	50	28	24	20	17	16	15	14	14	13	13	12	12	11	11	11					
	100000	33	43	24	21	17	15	14	13	12	12	11	11	11	10	10	10	9					
518	10000	105	85	76	65	53	47	43	40	38	37	26	35	34	32								
	30000	76	61	54	47	38	34	31	28	27	26	26	25	24	23								
	40000	69	56	50	43	35	31	28	26	25	24	24	23	22	21								
	60000	61	50	44	38	31	27	25	23	22	21	21	20	20	19								
	100000	53	43	38	33	26	23	21	20	19	18	18	17	17	16								
519	10000	105	108	76	65	53	47	43	40	38	37	26	35	34	32								
	30000	76	78	54	47	38	34	31	28	27	26	26	25	24	23								
	40000	69	71	50	43	35	31	28	26	25	24	24	23	22	21								
	60000	61	63	44	38	31	27	25	23	22	21	21	20	20	19								
	100000	53	54	38	33	26	23	21	20	19	18	18	17	17	16								
520	10000	133	108	96	82	67	59	54	50	35	46	45	44	43									
	30000	96	78	69	59	48	43	39	36	35	33	33	32	31									
	40000	88	71	63	54	44	39	36	33	32	31	30	29	28									
	60000	78	63	56	48	39	35	32	29	28	27	27	26	25									
	100000	67	54	48	41	33	30	27	25	24	23	23	22	21									
522	10000	133	135	96	82	67	59	54	50	35	46	45	44	43									
	30000	96	97	69	59	48	43	39	36	35	33	33	32	31									
	40000	88	89	63	54	44	39	36	33	32	31	30	29	28									
	60000	78	79	56	48	39	35	32	29	28	27	27	26	25									
	100000	67	68	48	41	33	30	27	25	24	23	23	22	21									
524	10000	167	190	120	103	84	74	68	45	60	58	57	55										
	30000	120	137	86	74	60	53	49	45	43	42	41	40										
	40000	110	125	79	68	55	49	45	41	40	38	38	36										
	60000	97	111	70	60	49	43	40	37	35	34	33	32										
	100000	84	95	60	52	42	37	34	31	30	29	29	28										
526	10000	234	190	168	144	117	104	69	88	84	81	80											
	30000	168	137	121	104	84	75	69	63	61	59	58											
	40000	154	125	111	95	77	69	63	58	56	54	53											
	60000	137	111	98	84	69	61	56	52	49	48	47											
	100000	117	95	84	72	59	52	48	44	42	41	40											
528	10000	234	190	168	144	117	104	69	88	84	81	80											
	30000	168	137	121	104	84	75	69	63	61	59	58											
	40000	154	125	111	95	77	69	63	58	56	54	53											
	60000	137	111	98	84	69	61	56	52	49	48	47											
	100000	117	95	84	72	59	52	48	44	42	41	40											
530	10000	266	216	191	164	133	118	78	100	96	92	23											
	30000	191	155	138	118	96	85	78	72	69	66												
	40000	176	143	126	108	88	78	71	66	63	61												
	60000	155	126	112	96	78	69	63	59	56	54												
	100000	133	108	96	82	67	59	54	50	48	46												
532	10000	353	287	254	218	177	113	144	133	127													
	30000	254	206	182	157	127	113	103	95	91													
	40000	233	189	167	144	117	103	95	88	84													
	60000	206	167	148	127	103	91	84	78	74													
	100000	177	144	127	109	89	78	72	67	64													

Use the labyrinth (S) seal for applications to the right of the vertical line.
 For applications in the dark shaded areas, the maximum load for the specific speed is shown. The load does not correspond to the L10 shown.
 Applications in the light shaded areas may require high temperature lubrication. Please consult Dodge Engineering.

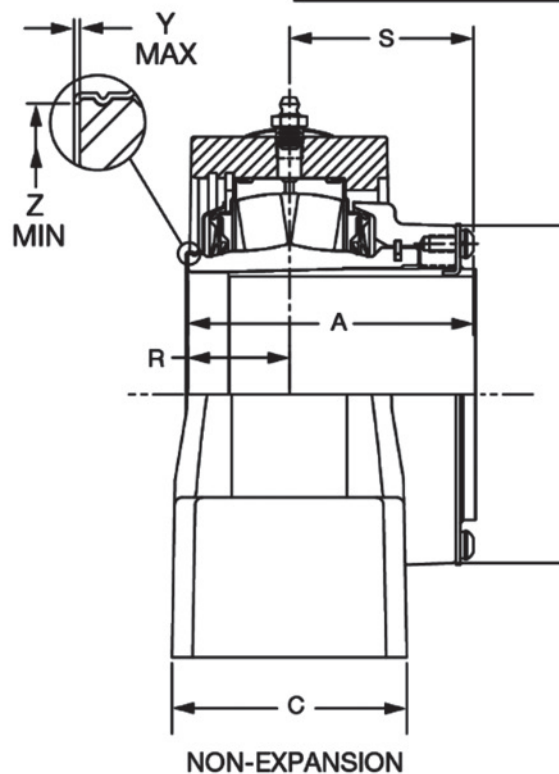
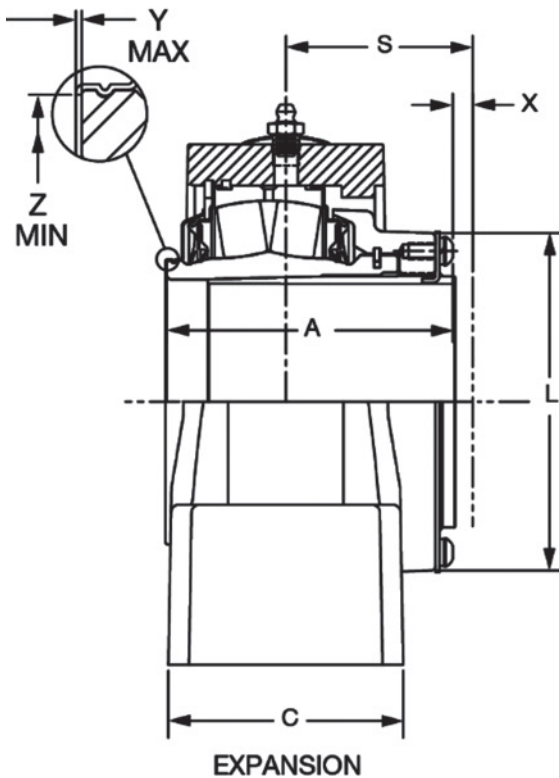
Dodge IP bearings – metric shaft

Imperial – IP pillow block

30 thru 100 mm - 2 bolt



NOTE: All sizes use a 1/8-27 NPT hydraulic grease fitting



Dodge IP bearings – metric shaft

Imperial – IP pillow block

30 thru 100 mm - 2 bolt

Part numbers

Bearing series	Shaft size (mm)	Trident seal				Labyrinth seal			
		Non expansion		Expansion		Non expansion		Expansion	
		Material	Description	Material	Description	Material	Description	Material	Description
22208	30	*****	P2B-IP-030MR	*****	P2B-IP-030MRE	*****	P2B-IP-030ML	*****	P2B-IP-030MLE
22208	35	068425	P2B-IP-035MR	068426	P2B-IP-035MRE	*****	P2B-IP-035ML	*****	P2B-IP-035MLE
22209	40	049992	P2B-IP-040MR	062912	P2B-IP-040MRE	*****	P2B-IP-040ML	*****	P2B-IP-040MLE
22210	45	049628	P2B-IP-045MR	074371	P2B-IP-045MRE	064930	P2B-IP-045ML	*****	P2B-IP-045MLE
22210	50	049986	P2B-IP-050MR	049476	P2B-IP-050MRE	065575	P2B-IP-050ML	065582	P2B-IP-050MLE
22211	55	049629	P2B-IP-055MR	062322	P2B-IP-055MRE	062934	P2B-IP-055ML	064299	P2B-IP-055MLE
22213	60	049752	P2B-IP-060MR	062599	P2B-IP-060MRE	049484	P2B-IP-060ML	065592	P2B-IP-060MLE
22215	65	062762	P2B-IP-065MR	065781	P2B-IP-065MRE	062141	P2B-IP-065ML	062142	P2B-IP-065MLE
22215	70	062594	P2B-IP-070MR	*****	P2B-IP-070MRE	062370	P2B-IP-070ML	079866	P2B-IP-070MLE
22215	75	049630	P2B-IP-075MR	062911	P2B-IP-075MRE	049381	P2B-IP-075ML	062595	P2B-IP-075MLE
22218	80	062859	P2B-IP-080MR	*****	P2B-IP-080MRE	*****	P2B-IP-080ML	*****	P2B-IP-080MLE
22218	85	068048	P2B-IP-085MR	068041	P2B-IP-085MRE	062596	P2B-IP-085ML	062597	P2B-IP-085MLE
22220	90	049461	P2B-IP-090MR	078311	P2B-IP-090MRE	049485	P2B-IP-090ML	*****	P2B-IP-090MLE
22220	100	062860	P2B-IP-100MR	074610	P2B-IP-100MRE	*****	P2B-IP-100ML	*****	P2B-IP-100MLE

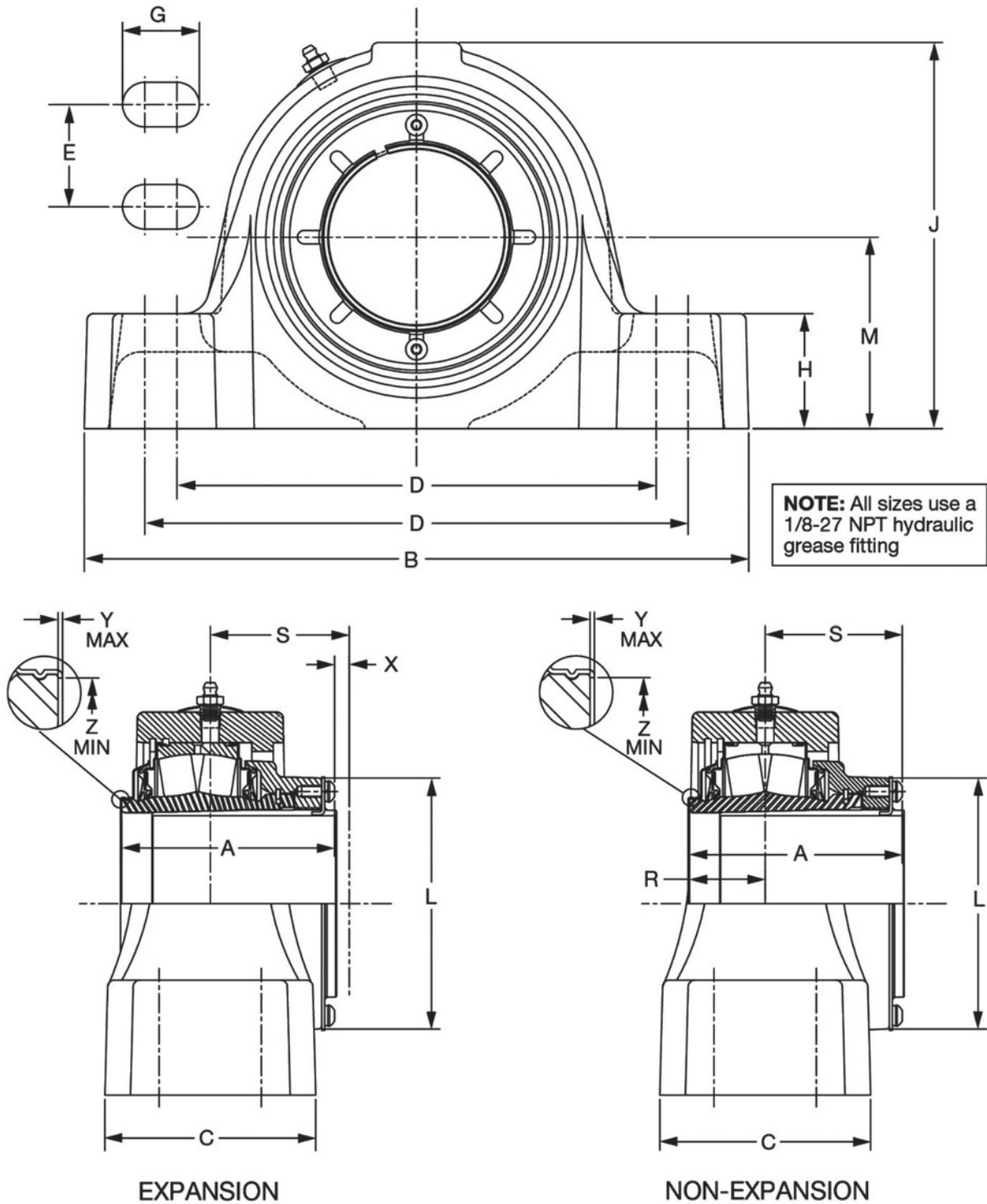
Dimensions

Shaft size	A	B	C	D		F Bolt Ø	G	H	J	L	M	R	S	X			
				Min	Max									Exp	Y	Z	
30																	
35	66.8	172.7	49.5	122.2	132.1	1/2"	20.6	28.7	98.6	69.1	47.6	22.2	44.5	4.8	0.5	45.7	
40	71.4	187.5	52.3	134.9	144.8	1/2"	20.6	31.8	108.5	76.2	54.1	20.6	50.8	6.4	0.5	52.8	
45																	
50	72.6	212.9	63.5	153.9	163.6	5/8"	23.9	33.3	115.8	83.3	57.2	21.8	50.8	6.4	0.5	58.4	
55	77.0	225.6	66.8	166.6	176.3	5/8"	23.9	38.1	127.0	88.9	63.5	23.1	54.1	6.4	0.8	66.0	
60	86.9	235.0	72.6	176.3	185.7	5/8"	24.1	41.4	142.0	98.6	69.9	30.5	56.4	6.4	0.8	74.9	
65																	
70	88.9	265.2	78.2	201.7	211.1	3/4"	26.9	47.8	162.1	108.7	82.6	31.2	57.7	6.4	0.8	88.1	
75																	
80	105.9	330.2	86.9	238.3	270.0	7/8"	41.4	57.2	190.5	127.0	95.3	37.6	68.3	6.4	0.8	102.9	
85																	
90	119.4	387.4	99.3	270.0	325.1	1"	57.2	62.0	212.9	141.2	108.0	41.7	77.7	7.9	0.8	114.3	
100																	

Dodge IP bearings – metric shaft

Imperial – IP pillow block

60 thru 125 mm - 4 bolt



Dodge IP bearings – metric shaft

Imperial – IP pillow block

60 thru 125 mm - 4 bolt

Part numbers

Bearing series	Shaft size (mm)	Trident seal				Labyrinth seal			
		Non expansion		Expansion		Non expansion		Expansion	
		Material	Description	Material	Description	Material	Description	Material	Description
22213	60	*****	P4B-IP-060MR	*****	P4B-IP-060MRE	*****	P4B-IP-060ML	*****	P4B-IP-060MLE
22215	65	*****	P4B-IP-065MR	*****	P4B-IP-065MRE	*****	P4B-IP-065ML	*****	P4B-IP-065MLE
22215	70	*****	P4B-IP-070MR	*****	P4B-IP-070MRE	*****	P4B-IP-070ML	*****	P4B-IP-070MLE
22215	75	079391	P4B-IP-075MR	079392	P4B-IP-075MRE	*****	P4B-IP-075ML	*****	P4B-IP-075MLE
22218	80	080807	P4B-IP-080MR	*****	P4B-IP-080MRE	*****	P4B-IP-080ML	*****	P4B-IP-080MLE
22218	85	074282	P4B-IP-085MR	*****	P4B-IP-085MRE	068636	P4B-IP-085ML	*****	P4B-IP-085MLE
22220	90	062723	P4B-IP-090MR	*****	P4B-IP-090MRE	*****	P4B-IP-090ML	*****	P4B-IP-090MLE
22220	100	062724	P4B-IP-100MR	064958	P4B-IP-100MRE	064959	P4B-IP-100ML	064960	P4B-IP-100MLE
22222	110	075678	P4B-IP-110MR	077665	P4B-IP-110MRE	*****	P4B-IP-110ML	*****	P4B-IP-110MLE
22226	115	079977	P4B-IP-115MR	*****	P4B-IP-115MRE	065702	P4B-IP-115ML	065703	P4B-IP-115MLE
22226	125	074611	P4B-IP-125MR	074612	P4B-IP-125MRE	*****	P4B-IP-125ML	*****	P4B-IP-125MLE

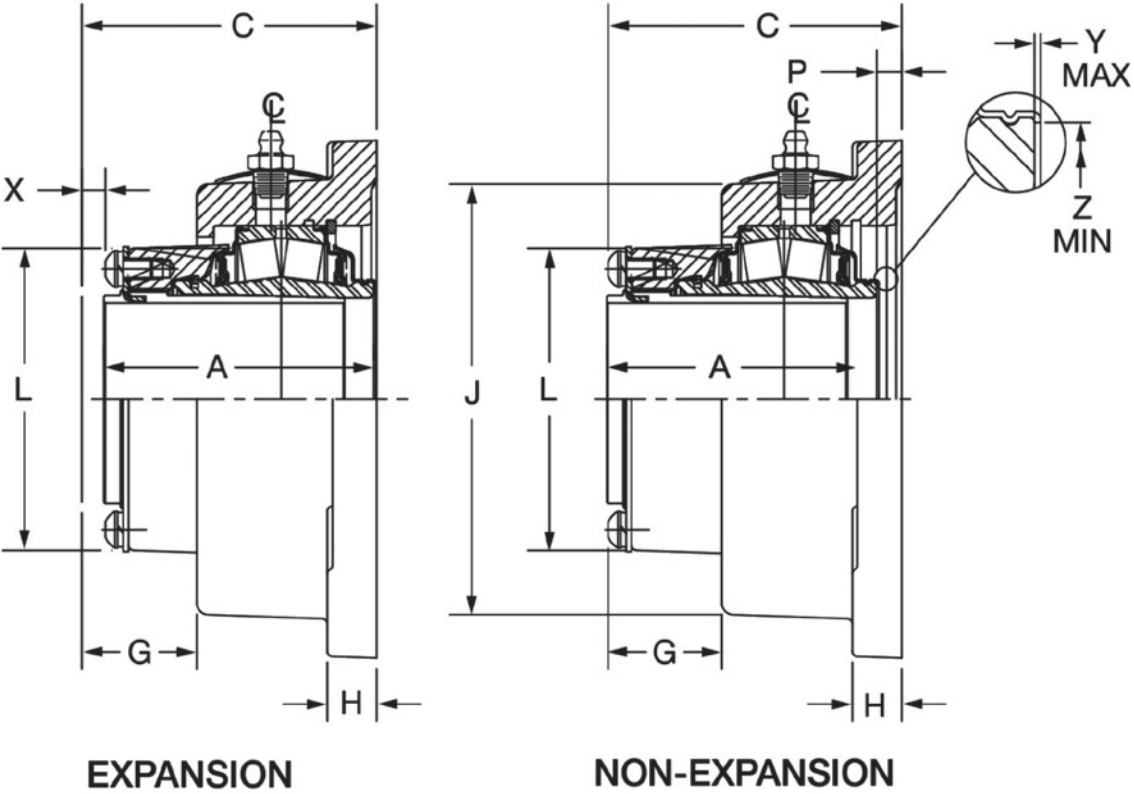
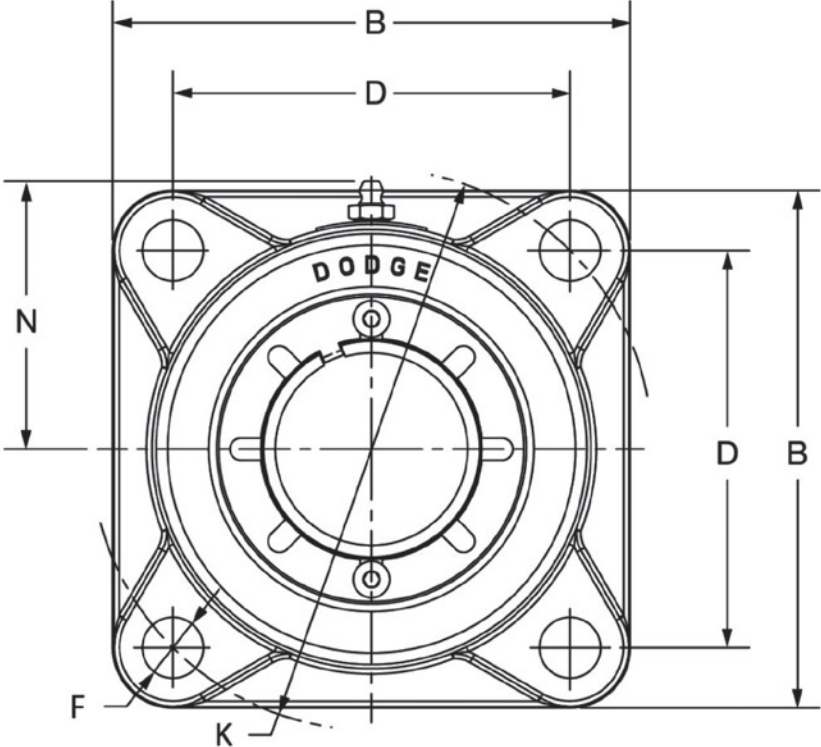
Dimensions

Shaft size	A	B	C	D		E	F Bolt Ø	G	H	J	L	M	R	S	X		
				Min	Max										Exp	Y	Z
60	86.9	235.0	83.3	176.3	185.7	44.5	1/2"	20.57	41.4	142.0	98.6	69.9	27.4	59.4	6.4	0.8	74.9
65																	
70	88.9	265.2	95.3	201.7	211.1	47.8	5/8"	23.9	47.8	163.6	108.7	82.6	27.7	61.2	6.4	0.8	88.1
75																	
80																	
85	105.9	330.2	104.9	238.3	270.0	50.8	3/4"	38.1	57.2	192.0	127.0	95.3	36.6	69.3	6.4	0.8	102.9
90																	
100	119.4	387.4	114.3	308.0	327.0	57.2	3/4"	31.8	62.0	214.4	141.2	108.0	41.7	77.7	7.9	0.8	114.3
110	132.8	419.1	120.7	304.8	355.6	63.5	3/4"	35.1	69.9	244.6	163.6	120.7	44.5	88.4	9.5	1.0	127.0
115																	
125	151.9	473.2	136.7	381.0	406.4	69.9	7/8"	38.1	76.2	282.7	193.8	139.7	48.5	103.6	9.5	1.0	148.3

Dodge IP bearings – metric shaft

Imperial – IP flange - square

30 thru 100 mm



Dodge IP bearings – metric shaft

Imperial – IP flange - square

30 thru 100 mm

Part numbers

Bearing series	Shaft size (mm)	Trident seal				Labyrinth seal			
		Non expansion		Expansion		Non expansion		Expansion	
		Material	Description	Material	Description	Material	Description	Material	Description
22208	30	076816	F4S-IP-030MR	076817	F4S-IP-030MRE	*****	F4S-IP-030ML	*****	F4S-IP-030MLE
22208	35	075109	F4S-IP-035MR	075110	F4S-IP-035MRE	*****	F4S-IP-035ML	*****	F4S-IP-035MLE
22209	40	078988	F4S-IP-040MR	079204	F4S-IP-040MRE	*****	F4S-IP-040ML	*****	F4S-IP-040MLE
22210	45	068890	F4S-IP-045MR	*****	F4S-IP-045MRE	*****	F4S-IP-045ML	*****	F4S-IP-045MLE
22210	50	049898	F4S-IP-050MR	073717	F4S-IP-050MRE	074416	F4S-IP-050ML	*****	F4S-IP-050MLE
22211	55	075717	F4S-IP-055MR	075718	F4S-IP-055MRE	*****	F4S-IP-055ML	*****	F4S-IP-055MLE
22213	60	074532	F4S-IP-060MR	080963	F4S-IP-060MRE	*****	F4S-IP-060ML	*****	F4S-IP-060MLE
22215	65	075297	F4S-IP-065MR	*****	F4S-IP-065MRE	*****	F4S-IP-065ML	*****	F4S-IP-065MLE
22215	70	080112	F4S-IP-070MR	064947	F4S-IP-070MRE	*****	F4S-IP-070ML	*****	F4S-IP-070MLE
22215	75	068051	F4S-IP-075MR	*****	F4S-IP-075MRE	*****	F4S-IP-075ML	*****	F4S-IP-075MLE
22218	80	062210	F4S-IP-080MR	*****	F4S-IP-080MRE	*****	F4S-IP-080ML	*****	F4S-IP-080MLE
22218	85	074533	F4S-IP-085MR	073797	F4S-IP-085MRE	*****	F4S-IP-085ML	*****	F4S-IP-085MLE
22220	90	078029	F4S-IP-090MR	049941	F4S-IP-090MRE	*****	F4S-IP-090ML	*****	F4S-IP-090MLE
22220	100	079381	F4S-IP-100MR	079382	F4S-IP-100MRE	*****	F4S-IP-100ML	*****	F4S-IP-100MLE

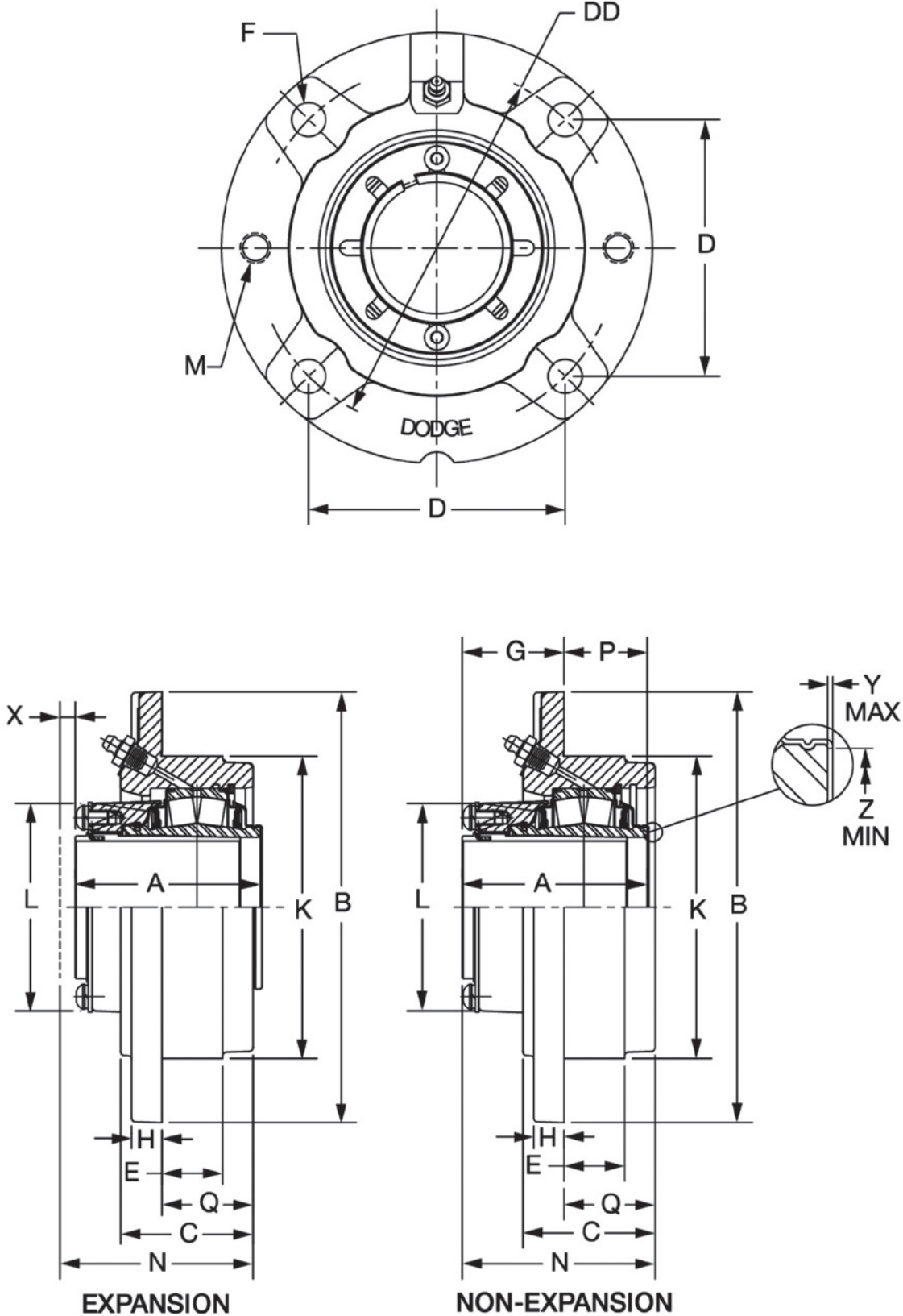
Dimensions

Shaft size	Dimensions															
	A	B	C	D	F Bolt Ø	G	H	J	K	L	N	P	X Exp	Y	Z	
30	66.8	120.7	72.6	89.7	1/2"	27.4	12.7	96.8	127.0	69.1	63.0	5.8	4.8	0.5	45.7	
35																
40	71.4	130.3	79.0	98.8	1/2"	30.5	12.7	112.0	139.7	76.2	70.6	7.6	6.4	0.5	52.8	
45																
50	72.6	134.6	80.3	103.1	1/2"	31.2	14.2	126.2	146.1	83.3	73.9	7.6	6.4	0.5	58.4	
55	77.0	149.4	84.8	114.8	5/8"	33.3	14.2	127.5	162.1	96.5	78.5	7.9	6.4	0.8	66.0	
60	86.9	155.7	94.7	121.4	5/8"	34.5	16.3	143.0	171.5	98.6	86.6	7.9	6.4	0.8	74.9	
65																
70	88.9	182.4	96.8	141.2	3/4"	36.1	19.1	165.1	200.2	108.7	97.5	7.9	6.4	0.8	88.1	
75																
80	105.9	209.6	113.8	170.7	3/4"	40.4	23.9	190.0	241.3	127.0	110.0	7.9	6.4	0.8	102.9	
85																
90	119.4	235.0	129.0	193.3	7/8"	45.2	26.9	208.8	273.1	141.2	119.4	9.7	7.9	0.8	114.3	
100																

Dodge IP bearings – metric shaft

Imperial – IP piloted flange

30 thru 125 mm



Dodge IP bearings – metric shaft

Imperial – IP piloted flange

30 thru 125 mm

Part numbers

Bearing series	Shaft size (mm)	Trident seal				Labyrinth seal			
		Non expansion		Expansion		Non expansion		Expansion	
		Material	Description	Material	Description	Material	Description	Material	Description
22208	30	*****	FC-IP-030MR	*****	FC-IP-030MRE	*****	FC-IP-030ML	*****	FC-IP-030MLE
22208	35	077682	FC-IP-035MR	*****	FC-IP-035MRE	*****	FC-IP-035ML	*****	FC-IP-035MLE
22209	40	076662	FC-IP-040MR	*****	FC-IP-040MRE	*****	FC-IP-040ML	*****	FC-IP-040MLE
22210	45	079708	FC-IP-045MR	*****	FC-IP-045MRE	079713	FC-IP-045ML	*****	FC-IP-045MLE
22210	50	064543	FC-IP-050MR	074607	FC-IP-050MRE	*****	FC-IP-050ML	*****	FC-IP-050MLE
22211	55	073798	FC-IP-055MR	073997	FC-IP-055MRE	*****	FC-IP-055ML	*****	FC-IP-055MLE
22213	60	062243	FC-IP-060MR	062244	FC-IP-060MRE	078293	FC-IP-060ML	078294	FC-IP-060MLE
22215	65	077818	FC-IP-065MR	077819	FC-IP-065MRE	*****	FC-IP-065ML	*****	FC-IP-065MLE
22215	70	078391	FC-IP-070MR	078392	FC-IP-070MRE	*****	FC-IP-070ML	*****	FC-IP-070MLE
22215	75	067631	FC-IP-075MR	*****	FC-IP-075MRE	*****	FC-IP-075ML	*****	FC-IP-075MLE
22218	80	078393	FC-IP-080MR	064471	FC-IP-080MRE	079852	FC-IP-080ML	079853	FC-IP-080MLE
22218	85	064823	FC-IP-085MR	064824	FC-IP-085MRE	*****	FC-IP-085ML	*****	FC-IP-085MLE
22220	90	049849	FC-IP-090MR	*****	FC-IP-090MRE	*****	FC-IP-090ML	*****	FC-IP-090MLE
22220	100	075323	FC-IP-100MR	075324	FC-IP-100MRE	*****	FC-IP-100ML	074273	FC-IP-100MLE
22222	110	077653	FC-IP-110MR	077654	FC-IP-110MRE	*****	FC-IP-110ML	*****	FC-IP-110MLE
22226	115	*****	FC-IP-115MR	*****	FC-IP-115MRE	*****	FC-IP-115ML	*****	FC-IP-115MLE
22226	125	079799	FC-IP-125MR	079800	FC-IP-125MRE	*****	FC-IP-125ML	*****	FC-IP-125MLE

Dimensions

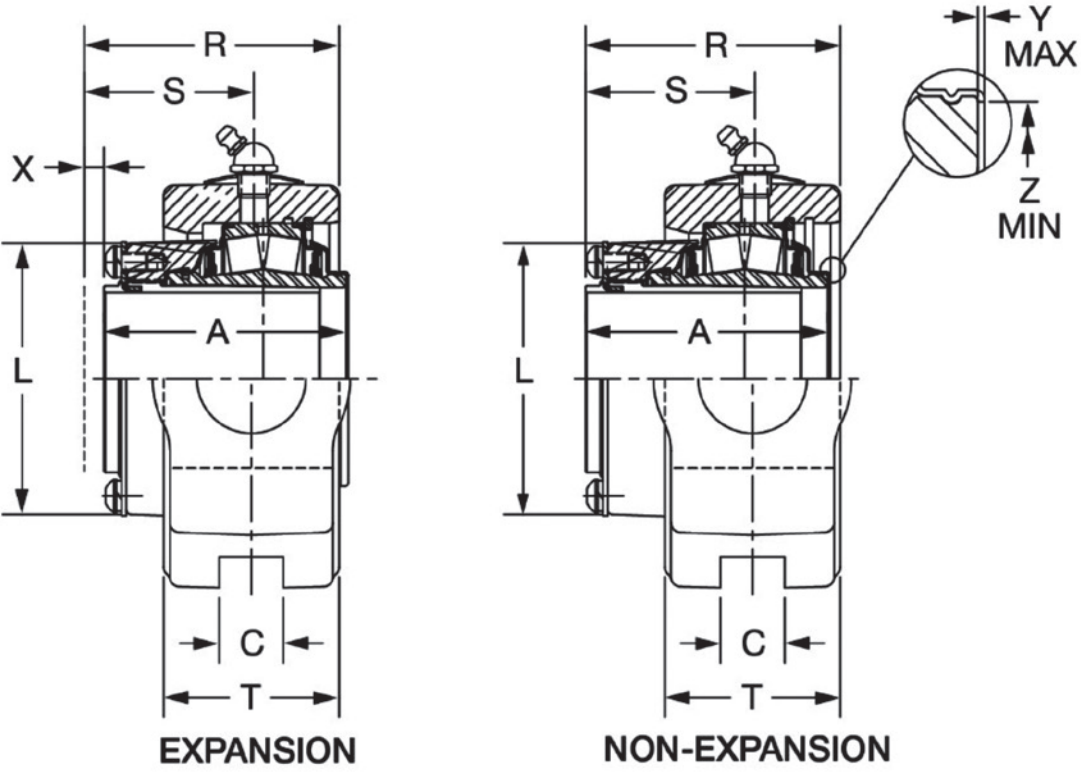
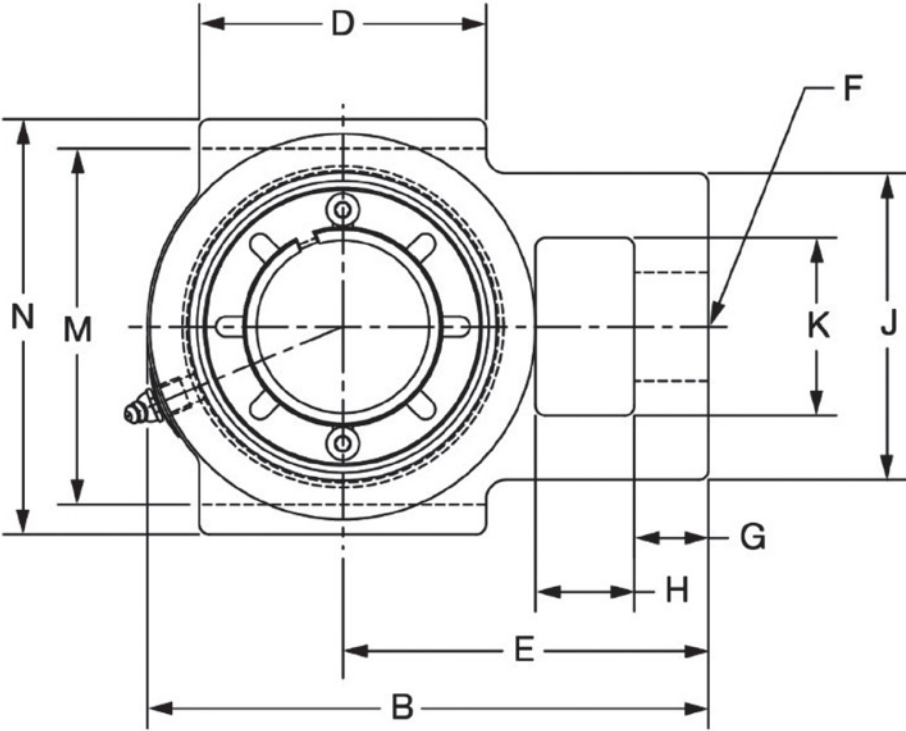
Shaft size	F																X		
	A	B	C	D	DD	E	Bolt Ø	G	H	K	L	M	N	P	Q	Exp	Y	Z	
30	66.8	133.4	46.7	78.5	111.3	19.1	3/8"	35.3	12.7	92.1	69.1	3/8-16	66.3	31.2	31.0	4.8	0.5	45.7	
35																			
40	71.4	155.7	48.5	92.2	130.3	22.4	7/16"	40.9	12.7	108.0	76.2	7/16-14	72.6	30.5	32.3	6.4	0.5	52.8	
45																			
50	72.6	162.1	50.8	96.5	136.7	22.4	7/16"	40.4	14.2	114.3	83.3	7/16-14	72.6	32.3	32.3	6.4	0.5	58.4	
55	77.0	181.1	55.6	108.0	152.4	25.4	1/2"	42.4	14.2	127.0	88.9	1/2-13	78.2	35.1	36.1	6.4	0.8	66.0	
60	86.9	193.8	63.5	116.6	165.1	25.4	1/2"	47.8	16.3	139.7	98.6	1/2-13	87.4	39.4	39.6	6.4	0.8	74.9	
65																			
70	88.9	222.3	66.8	134.6	190.5	31.8	5/8"	49.3	19.1	161.9	108.7	5/8-11	90.4	39.6	41.4	6.4	0.8	88.1	
75																			
80																			
85	105.9	260.4	76.2	154.7	219.2	32.3	3/4"	64.3	23.9	187.3	127.0	3/4-10	103.1	41.7	38.6	6.4	0.8	102.9	
90																			
100	119.4	276.4	88.9	168.4	238.3	37.3	3/4"	73.4	26.9	206.4	141.2	3/4-10	111.5	46.0	48.5	7.9	0.8	114.3	
110	132.8	342.9	101.6	149.4	298.5	36.8	3/4" *	90.4	16.3	260.4	163.6	3/4-10	141.0	42.4	50.3	9.5	1.0	127.0	
115																			
125	151.9	374.7	111.3	162.1	323.9	43.2	7/8" *	98.0	26.9	279.4	193.8	3/4-10	159.5	54.1	61.5	9.5	1.0	148.3	

* 6 equally spaced mounting bolts

Dodge IP bearings – metric shaft

Imperial – IP wide slot take-up

30 thru 100 mm



Dodge IP bearings – metric shaft

Imperial – IP wide slot take-up

30 thru 100 mm

Part numbers

Bearing series	Shaft size (mm)	Trident seal				Labyrinth seal			
		Non expansion		Expansion		Non expansion		Expansion	
		Material	Description	Material	Description	Material	Description	Material	Description
22208	30	*****	WSTU-IP-030MR	*****	WSTU-IP-030MRE	*****	WSTU-IP-030ML	*****	WSTU-IP-030MLE
22208	35	*****	WSTU-IP-035MR	*****	WSTU-IP-035MRE	*****	WSTU-IP-035ML	*****	WSTU-IP-035MLE
22209	40	068879	WSTU-IP-040MR	*****	WSTU-IP-040MRE	*****	WSTU-IP-040ML	*****	WSTU-IP-040MLE
22210	45	074595	WSTU-IP-045MR	*****	WSTU-IP-045MRE	*****	WSTU-IP-045ML	*****	WSTU-IP-045MLE
22210	50	064752	WSTU-IP-050MR	079722	WSTU-IP-050MRE	*****	WSTU-IP-050ML	*****	WSTU-IP-050MLE
22211	55	*****	WSTU-IP-055MR	*****	WSTU-IP-055MRE	*****	WSTU-IP-055ML	*****	WSTU-IP-055MLE
22213	60	068786	WSTU-IP-060MR	077482	WSTU-IP-060MRE	*****	WSTU-IP-060ML	*****	WSTU-IP-060MLE
22215	65	074408	WSTU-IP-065MR	077810	WSTU-IP-065MRE	*****	WSTU-IP-065ML	*****	WSTU-IP-065MLE
22215	70	062247	WSTU-IP-070MR	*****	WSTU-IP-070MRE	*****	WSTU-IP-070ML	*****	WSTU-IP-070MLE
22215	75	049765	WSTU-IP-075MR	077451	WSTU-IP-075MRE	*****	WSTU-IP-075ML	*****	WSTU-IP-075MLE
22218	80	062248	WSTU-IP-080MR	080012	WSTU-IP-080MRE	*****	WSTU-IP-080ML	*****	WSTU-IP-080MLE
22218	85	067900	WSTU-IP-085MR	074175	WSTU-IP-085MRE	*****	WSTU-IP-085ML	*****	WSTU-IP-085MLE
22220	90	062249	WSTU-IP-090MR	*****	WSTU-IP-090MRE	*****	WSTU-IP-090ML	*****	WSTU-IP-090MLE
22220	100	062250	WSTU-IP-100MR	*****	WSTU-IP-100MRE	*****	WSTU-IP-100ML	*****	WSTU-IP-100MLE

Dimensions

Shaft size	X																		
	A	B	C	D	E	F	G	H	J	K	L	M	N	R	S	T	Exp	Y	Z
30	66.8	128.5	13.5	69.9	81.0	22.2	17.5	16.0	62.0	36.6	69.1	88.9	104.9	71.9	43.9	52.3	4.8	0.5	45.7
35																			
40	71.4	150.9	17.5	79.5	96.8	28.6	23.9	19.1	84.1	49.3	76.2	101.6	120.7	75.4	50.3	51.6	6.4	0.5	52.8
45																			
50	72.6	157.2	17.5	92.2	100.0	28.6	23.9	19.1	84.1	49.3	83.3	101.6	120.7	74.7	50.8	50.8	6.4	0.5	58.4
55	77.0	179.3	20.6	92.2	117.6	34.9	23.9	31.7	98.6	31.7	88.9	114.3	133.4	81.0	53.6	56.4	6.4	0.8	66.0
60	86.9	195.3	26.9	111.3	127.0	34.9	26.9	31.8	108.0	63.5	98.6	130.3	149.4	87.4	56.4	62.0	6.4	0.8	74.9
65																			
70	88.9	225.6	46.0	114.3	146.1	41.3	28.7	38.1	124.0	69.9	108.7	150.9	169.9	93.2	57.9	68.3	6.4	0.8	88.1
75																			
80																			
85	105.9	269.7	46.0	139.7	162.1	47.6	26.9	41.4	130.3	73.2	127.0	173.0	198.4	107.2	68.3	77.7	6.4	0.8	102.9
90																			
100	119.4	319.0	52.3	177.8	212.9	54.0	52.3	54.1	152.4	85.9	141.2	219.2	239.8	121.9	77.5	87.4	7.9	0.8	114.3

Contact us

www.abb.com/motors&generators

Note: We reserve the right to make technical changes or modify the contents of this document without prior notice. With regard to purchase orders, the agreed particulars shall prevail. ABB Ltd does not accept any responsibility whatsoever for potential errors or possible lack of information in this document.

We reserve all rights in this document and in the subject matter and illustrations contained therein. Any reproduction, disclosure to third parties or utilization of its contents – in whole or in part – is forbidden without prior written consent of ABB Ltd.

Copyright © 2014 ABB

All rights reserved