

PULLEY STOCK PROFILE - AUSTRALIA



With expertise, and a comprehensive portfolio of products and life-cycle services, we help value-minded industrial customers improve their energy efficiency and productivity.

HEAVY DUTY XT DRUM PULLEYS

Dodge® XT conveyor pulleys

Dodge heavy duty drum and wing pulleys have been operating in the world's most demanding bulk material handling applications for over 100 years. Pulleys can be provided with high quality lagging designed to ensure maximum belt and pulley life in tough applications.

- XT hub style bushings with 9.5 degree taper angle for easy-on, easy-off
- High strength submerged arc or gas-metal arc welds
- Available as standard with vulcanised SBR lagging
- Optional lagging styles include D-Lag, ceramic or neoprene
- Custom diameters and face widths upon request



HEAVY DUTY XT DRUM PULLEYS WITH 10 MM (3/8 INCH) HERRINGBONE LAGGING

Diameter	Hub	FACE WIDTH						
		508 mm/ 20 inch	660 mm/ 26 inch	812 mm/ 32 inch	965 mm/ 38 inch	1120 mm/ 44 inch	1300 mm/ 51 inch	1600 mm/ 63 inch
152 mm/6 inch	XT25	—	229117	229118	229119	—	—	—
200 mm/8 inch	XT25	—	229452	229125	—	—	—	—
254 mm/10 inch	XT25	—	229453	229454	229361	292046	—	—
305 mm/12 inch	XT25	229458	229459	229460	291550	229455	—	—
	XT30	—	229407	229408	229462	229464	229465	229169
	XT35	—	—	—	—	229160	229466	229437
355 mm/14 inch	XT25	—	229445	229441	—	—	—	—
	XT30	—	229468	229469	229470	229471	—	—
	XT35	—	—	229182	229386	229472	229474	229193
406 mm/16 inch	XT25	—	229412	229387	—	—	—	—
	XT30	—	229413	229414	229416	229477	229478	—
	XT35	—	229400	229401	229402	229450	229391	229218
460 mm/18 inch	XT25	—	229366	229479	—	—	—	—
	XT30	—	229417	229418	229419	—	—	—
	XT35	—	229409	229403	229410	229482	229368	229370
	XT40	—	—	229480	229481	229234	229369	229371
510 mm/20 inch	XT30	—	—	229420	—	—	—	—
	XT35	—	—	229488	229490	—	—	—
	XT40	—	—	—	229406	229254	229491	229266
610 mm/24 inch	XT40	—	—	229421	234592	—	—	—
	XT45	—	229396	—	229398	229399	229378	229380
760 mm/30 inch	XT50	—	—	291205	—	—	—	—
915 mm/36 inch	XT50	—	—	—	291997	—	—	—

Stocked in Australia Stocked in the US

HEAVY DUTY XT DRUM PULLEYS

HEAVY DUTY XT DRUM PULLEYS WITH NO LAGGING

Diameter	Hub	FACE WIDTH								
		457 mm/ 18 inch	508 mm/ 20 inch	609 mm/ 24 inch	660 mm/ 26 inch	812 mm/ 32 inch	965 mm/ 38 inch	1120 mm/ 44 inch	1300 mm/ 51 inch	1600 mm/ 63 inch
152 mm/6 inch	XT25	231503	231504	231506	231507	231509	231511	231513	231516	—
200 mm/8 inch	XT25	231525	231528	231532	231534	231537	231543	231545	231549	—
	XT30	—	—	—	—	—	231544	—	—	—
254 mm/10 inch	XT25	—	231563	231568	231570	231575	231579	231582	231587	—
	XT30	—	—	—	231571	231576	231580	231583	231588	—
305 mm/12 inch	XT25	—	231605	—	231615	231623	231632	231641	231649	—
	XT30	—	—	—	231616	231624	231633	231642	231650	—
	XT35	—	—	—	231617	231625	231634	—	—	—
355 mm/14 inch	XT25	—	231670	—	231680	231690	231698	—	—	—
	XT30	—	—	—	231681	231691	231699	231706	231716	—
	XT35	—	—	—	231682	231692	231700	—	—	—
	XT40	—	—	—	—	—	—	—	231718	231732
406 mm/16 inch	XT25	—	—	—	231758	231771	231784	—	—	—
	XT30	—	—	—	231759	231772	231785	231797	231807	231822
	XT35	—	—	—	231760	231773	231786	231798	231808	—
460 mm/18 inch	XT25	—	—	—	231860	231875	—	—	—	—
	XT30	—	—	—	231861	231876	231892	—	231918	—
	XT35	—	—	—	231862	231877	231893	231905	231919	231939
	XT40	—	—	—	—	231878	231894	231906	231920	—
	XT45	—	—	—	—	—	231895	231907	—	—
510 mm/20 inch	XT25	—	—	—	—	231994	—	—	—	—
	XT30	—	—	—	231979	231995	232012	—	—	—
	XT35	—	—	—	231980	231996	232013	—	—	—
	XT40	—	—	—	—	231997	232014	232027	232040	—
610 mm/24 inch	XT30	—	—	—	—	232129	232145	—	—	—
	XT40	—	—	—	—	—	—	—	232179	—
	XT45	—	—	—	232118	232132	232148	232163	—	—
760 mm/30 inch	XT50	—	—	—	—	232276	—	—	—	—
915 mm/36 inch	XT50	—	—	—	—	—	291955	—	—	—

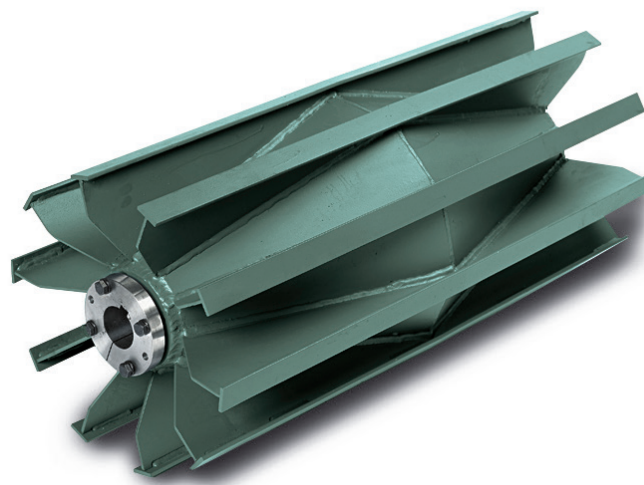
Stocked in Australia
 Stocked in the US

XT WING PULLEYS

HEAVY DUTY XT WING PULLEYS

Diameter	Hub	FACE WIDTH						
		508 mm/ 20 inch	660 mm/ 26 inch	812 mm/ 32 inch	965 mm/ 38 inch	1120 mm/ 44 inch	1300 mm/ 51 inch	1600 mm/ 63 inch
200 mm/8 inch	XT25	219593	219597	219601	219604	—	219607	
254 mm/10 inch	XT25	209069	219072	225127	219080	219087	219092	
	XT30	—	219073	219077	—	—	219093	
305 mm/12 inch	XT25	219110	219116	225128	234116	219135	219144	219152
	XT30	—	219117	219123	219129	219136	219145	—
	XT35	—	—	225158	219130	—	219146	—
355 mm/14 inch	XT25	—	219175	225129	219187	—	—	—
	XT30	—	219176	219180	219188	219198	219202	219211
	XT35	—	—	—	219189	—	—	—
406 mm/16 inch	XT25	—	219233	219243	219252	—	—	—
	XT30	—	219234	219244	219253	219265	219273	—
	XT35	—	—	—	219254	219254	219274	219286
	XT40	—	—	—	—	—	219275	—
460 mm/18 inch	XT30	—	219309	219321	219333	—	219358	—
	XT35	—	—	219322	219334	—	219359	219370
	XT40	—	—	—	—	219349	—	—
	XT45	—	—	—	219336	219350	—	—
510 mm/20 inch	XT35	—	—	—	219410	—	219437	—
610 mm/24 inch	XT35	—	—	—	—	219498	—	—
	XT40	—	—	—	—	—	219510	—
760 mm/30 inch	XT40	—	—	—	—	—	219557	—

Stocked in Australia
 Stocked in the US



STOCK PART NUMBERS FOR COMMON SHAFT SIZES

Bushing Size	Part number	Bushing bore
XTB25	7B226905	Pilot Bore
	7B226955	40MM
	7B226947	50MM
	7B226956	60MM
	7B226811	65MM
XTB30	7B226906	Pilot Bore
	7B226954	40MM
	7B226952	50MM
	7B225702	60MM
	7B226957	65MM
	7B226936	70MM
	7B226813	75MM
XTB35	7B226907	Pilot Bore
	7B226958	60MM
	7B226946	65MM
	7B226953	75MM
	7B226937	80MM
	7B226938	90MM
XTB40	7B226908	Pilot Bore
	7B226944	65MM
	7B226939	70MM
	7B226945	75MM
	7B226940	90MM
XTB45	226950	Pilot Bore
	226951	100MM
	226948	115 mm
	226816	120 mm
XTB50	7B226910	Pilot Bore
	7B226960	100MM
	7B226948	115MM
	7B226816	120MM
	7B226949	125MM

Additional bore sizes available on request

ASSEMBLY SERVICES AVAILABLE

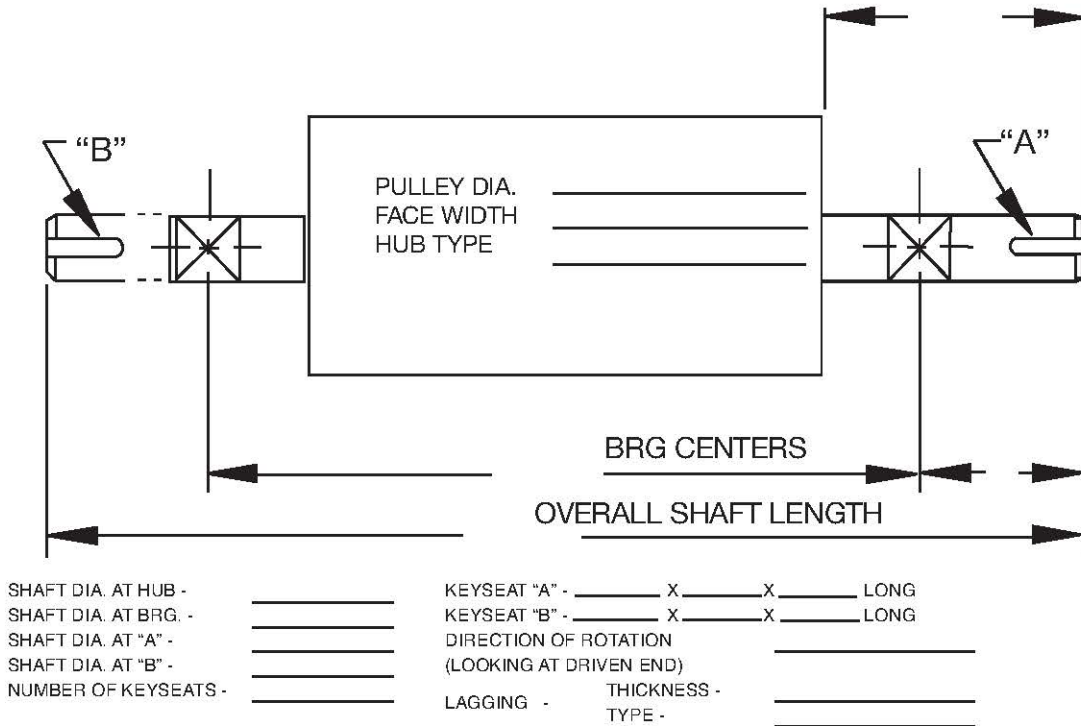
- Pulleys assembled with shaft and Dodge® ISN bearings
- Stocked components assembled in 5 to 7 days



Pulley Assemblies

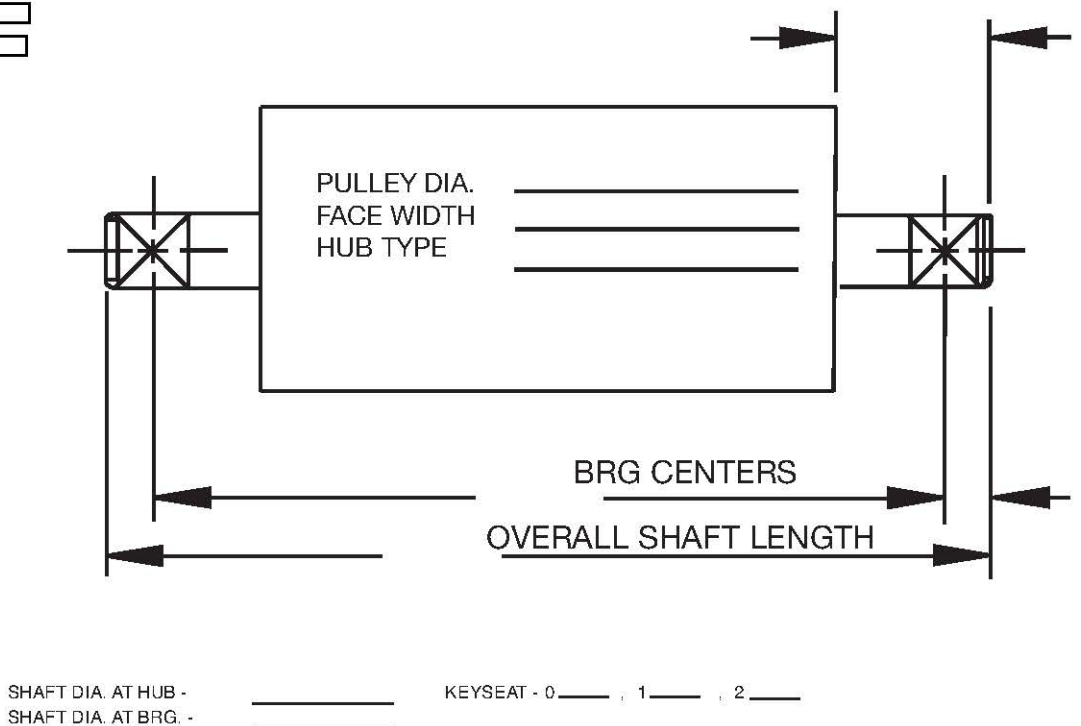
To order shafting, please copy and complete the sketches shown below.

Drive Pulley & Shaft Dimensions



Non-Drive Pulley & Shaft Dimensions

DRUM -
 WING -



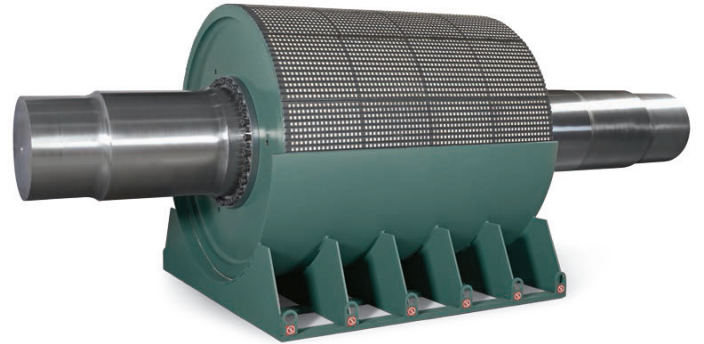
ENGINEERED TO ORDER OPTIONS

DODGE® ENGINEERED CONVEYOR PULLEYS

With dedicated pulley design engineers utilising industry leading conveyor design software, Dodge engineered pulleys deliver the ultimate in reliable performance and economy.

ENGINEERED PULLEY FEATURES

- Integral hub, profiled, turbine, and T-section end disc designs
- Taper bushed designs up to 300 mm
- Keyless locking devices up to 750 mm
- Vulcanised lagging up to 25 mm thick in proprietary abrasion resistant D-Lag rubber, SBR, and fire and oil resistant neoprene
- Wide variety of grooving patterns
- High-traction, vulcanised or cold bonded ceramic lagging 12mm, 16mm, 19 mm or 25 mm thickness
- Serialised nameplates
- 2 year extended warranty



DEDICATED MANUFACTURING

All engineered pulleys are manufactured in our facility. Our in-house capabilities allow us to manufacture some of the largest pulleys in the world, while maintaining superior quality.

- Machining up to 95 mm rim thickness and 300mm end disc thickness
- Single piece roll up to a 750mm diameter and 2500mm face width
- Machined shafting up to 750mm diameter and 6 meters long
- Vulcanised pulleys up to 1.8 meters
- Ratings up to 1400 kN/m



DODGE D-LAG VULCANISED LAGGING

- Proprietary vulcanised rubber compound
- Dramatically increases abrasion resistance
- Reduces lagging wear and increases life
- 100% vulcanised to the pulley
- 73% better abrasion resistance over standard SBR
- Resists cuts and gouges
- Ideal for harsh duty applications





★ Applied ® distribution centre
● Applied ® service centre

NEW SOUTH WALES

443 Townsend Street
Albury, NSW 2640
(02) 6041 1744
au-albury@appliedau.com

Unit 5, 46-50 Bourke Street
Dubbo, NSW 2830
(02) 6882 5799
au-dubbo@appliedau.com

7/170 Sydney Road
Kelso, NSW 2795
(02) 6332 2443
au-bathurst@appliedau.com

935 Botany Road
Mascot, NSW 2020
(02) 9667 3770
au-mascot@appliedau.com

Unit 3, 109 Airds Road
Minto, NSW 2566
(02) 9820 1088
au-minto@appliedau.com

Unit 7, 115 Batt Street
Penrith, NSW 2750
(02) 4731 3268
au-penrith@appliedau.com

Unit 1, 4 Friesian Close
Sandgate, NSW 2304
(02) 4960 9222
au-newcastle@appliedau.com

Unit 1, 364 Woodpark Road
Smithfield, NSW 2164
(02) 9725 9200
au-smithfield@appliedau.com

QUEENSLAND

282 Beatty Road
Archerfield, QLD 4108
(07) 3853 1900
au-archerfield@appliedau.com

117 Lyons Street
Cairns, QLD 4870
(07) 4040 9000
au-cairns@appliedau.com

Unit 1, 473 Newman Road
Geebung, QLD 4034
(07) 3265 6966
au-geebung@appliedau.com

68 Hanson Road
Gladstone, QLD 4680
(07) 4972 6255
au-gladstone@appliedau.com

9 Progress Drive, Paget
Mackay, QLD 4740
(07) 4952 4833
au-mackay@appliedau.com

26 Marian Street
Mt Isa, QLD 4825
(07) 4743 1908
au-mtisa@appliedau.com

343 Taylor Street
Toowoomba, QLD 4350
(07) 4634 9140
au-toowoomba@appliedau.com

70 Pilkington Street
Townsville, QLD 4810
(07) 4779 3699
au-townsville@appliedau.com

SOUTH AUSTRALIA

Unit 1 & 2, 7-9 Streiff Road
Wingfield, SA 5013
(08) 8360 1500
au-wingfield@appliedau.com

VICTORIA

755 Geelong Road
Brooklyn, VIC 3025
(03) 9318 0699
au-brooklyn@appliedau.com

Unit 5, 2122 Hume Highway
Campbellfield, VIC 3061
(03) 9308 5144
au-campbellfield@appliedau.com

Unit 2, 234 Frankston-D'ong Road
Dandenong, VIC 3175
(03) 9794 8477
au-dandenong@appliedau.com

Head Office
22 Stamford Road
Oakleigh, VIC 3166
(03) 9567 8700

NORTHERN TERRITORY

Applied Fluid Systems & Branch
101 Pruen Road
Berrimah, NT 0828
(08) 8947 1855
au-berrimah@appliedau.com

WESTERN AUSTRALIA

Great Southern Bearings
38 Newbey Street
Albany, WA 6330
(08) 9842 1000
au-albany@appliedau.com

Northam Bearing Sales
100 Old York Road
Northam, WA 6401
(08) 9622 2922
au-northam@appliedau.com

272 Welshpool Road
Welshpool, WA 6106
(08) 9470 7600
au-welshpool@appliedau.com

19 Darcy Lane
West Kalgoorlie, WA 6430
(08) 9091 4277
au-kalgoorlie@appliedau.com

CONTACT AN APPLIED® REPRESENTATIVE TODAY!



22 Stamford Road
Oakleigh, VIC 3166
Phone: (03) 9567 8700

APPLIEDAU.COM.AU