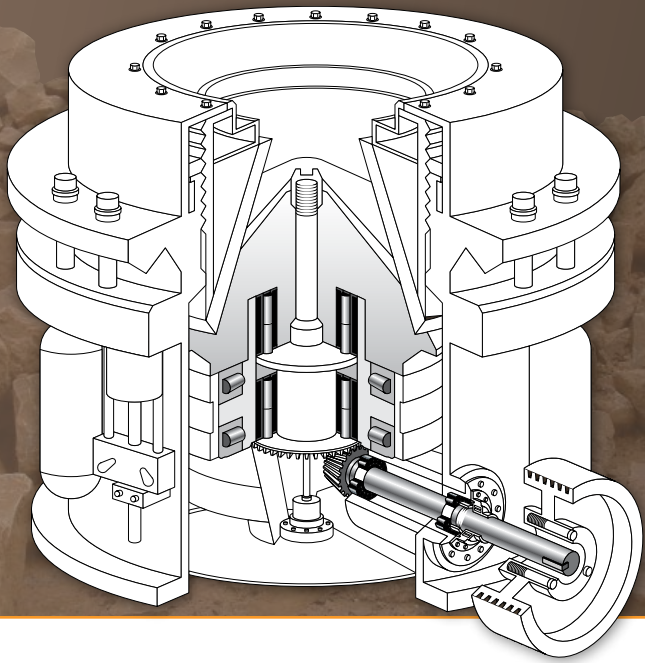


Reliable
Aftermarket
Solutions for
Cone Crushers

TIMKEN
Where You Turn



Timken now offers high-performing bearings as aftermarket replacement parts.

Timken® Bearings for Cone Crushers

Timken bearings are engineered specifically for cone crusher conditions. Our engineering team works directly with original equipment manufacturers to design a wide-range of custom bearings for popular cone crusher models.

Many of our designs use fully machined brass cages for durability. If capacity requirements are extreme, other cage designs are

used to optimize load-carrying capability. Timken also controls key geometric features to provide trouble-free operation.

Bearing Remanufacturing

Cone crusher bearings are ideal for repair because of their size and cost. These bearings can often be returned to like-new specifications for less time and money than buying new, without sacrificing performance. Remanufacturing is available for any bearing type or brand.

Experience You Trust

The cone crusher environment represents a considerable challenge for aggregate producers. Heavy loads and high contaminants threaten bearing life, and product reliability and performance is key. For more than 50 years, Timken has provided a full product line for the aggregate industry. When you turn to Timken, you have access to our application knowledge, engineering support and industry expertise to help keep your plant operating at maximum efficiency.

OEM	Model Number	Bearing Positions			
		Upper Radial	Lower Radial	Upper Thrust	Lower Thrust
ElJay(Cedarapids)	RC 36	E-1307-B	E-1307-B	E-2192-A	E-2191-A
	RC 45-I	E-2435-A	E-2435-A	E-2394-A	E-2306-A
	RC 45-II	E-2435-A	E-2435-A	E-2394-A	E-2306-A
	MVP 280	E-2435-A	E-2435-A	E-2394-A	E-2306-A
	MVP 380	E-2439-A	E-2454-A	E-2462-A	E-2408-A
	RC 54-I	E-2516-A	E-2447-A	E-2395-A	E-2259-A
	RC 54-II	E-2516-A	E-2447-A	E-2395-A	E-2259-A
	MVP 450	E-2516-A	E-2447-A	E-2461-A	E-2259-A
	RC 60	E-2265-A	E-2266-A	E-2267-A	E-2268-A
	MVP 550	E-2265-A	E-2266-A	E-2502-A	E-2268-A
	RC 66	E-2422-A	E-2423-A	E-2421-A	E-2311-A

JCI	1200 LS	J-900-A	J-900-A	J-938-A	J-903-A
	1400 LS	J-904-A	J-905-A	J-942-A	J-907-A
	K200	J-900-A	J-900-A	J-938-A	J-940-A
	K300	J-900-A	J-900-A	J-940-A	J-940-A
	K400	J-904-A	J-905-A	J-942-A	J-907-A

Pioneer (KPI)	48" Cone	P-1894-C	P-1785-C	P-1895-C	P-1895-C
	54" Cone	P-1784-C	P-1785-C	P-1761-C	P-1761-C

TelSmith	24, 24FC, 24S, 245S	--	--	S-4789-A	S-4789-A
	36 Style A	--	--	S-4831-A	S-4831-A
	36 Styles B,C and D, 36FC, 36S, 367S	--	--	S-4750-A	S-4790-A
	36VFC	--	--	S-4750-A	S-4750-A
	48 Style A	--	--	S-3181-C	S-4831-A
	48 Styles B and D, 48FC, 48S, 489S	--	--	S-4791-A	S-4791-A
	48 VFC	--	--	S-4792-A	S-4792-A
	48 Styles D and S, 489S, 48FC	--	--	S-3756-C	S-3756-C
	57 S (H Series), 57FC (H Series)	--	--	S-4745-A	S-4745-A
	66 Styles C and D, 66FC, 66S, 6614S	--	--	S-4745-A	S-4745-A
	900	S-4402-C	S-4402-C	S-4750-A	S-4750-A
	1110	S-4402-C	S-4402-C	S-4791-A	S-4791-A
	1310 (Original)	S-4401-C or	S-4401-C or	S-4792-A	S-4792-A
	1310 (Current)	S-4870-A	S-4870-A		
		1410 VFC	S-4400-C	S-4400-C	S-4864-A
	1510	S-4400-C	S-4400-C	S-4745-A	S-4745-A
	1700	S-4403-C	S-4403-C	S-4358-C	S-4358-C

The Timken Company

The Timken Company keeps the world turning, with innovative friction management and power transmission products and services, enabling our customers to perform faster and more efficiently. Timken is Where You Turn™ for better performance.

To learn more about Timken solutions for the aggregate industry, contact your local Timken representative or visit us at www.timken.com.

TIMKEN
Where You Turn

Bearings • Steel •
Precision Components • Lubrication •
Seals • Remanufacture and Repair •
Industrial Services

www.timken.com

Timken® is a registered trademark of
The Timken Company

© 2008 The Timken Company
Printed in U.S.A.
5M 03-08-29 Order No. 10165