



Catalog

# Metric Torque-Arm<sup>®</sup> II

## Technical catalog



Power and productivity  
for a better world™



We provide motors, generators and mechanical power transmission products, services and expertise to save energy and improve customers' processes over the total lifecycle of our products, and beyond.



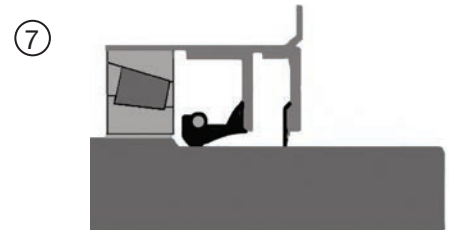
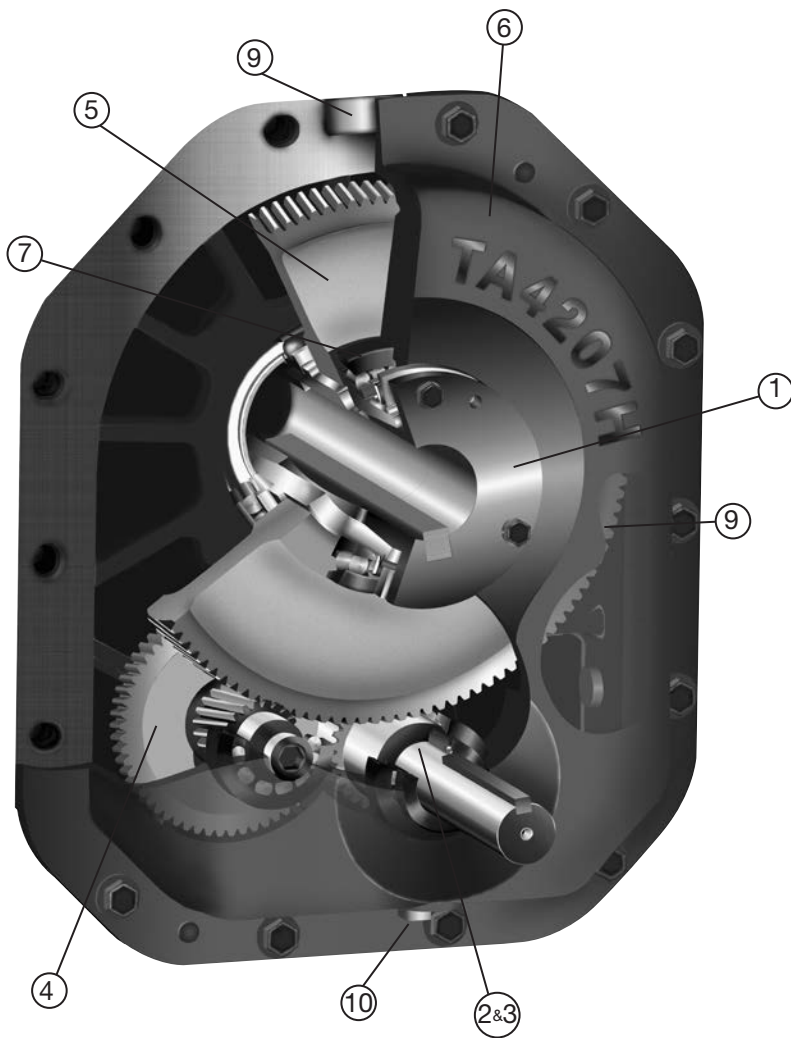
# Metric Torque-Arm® II

## Contents

<b>Features / Benefits</b>	
04	Torque-Arm II Reducer
06	Modular Accessories
07	Nomenclature
09	Easy Selection
10	Mechanical Power Ratings
12	Reducer Dimensions
14	Screw Conveyor Drive and Fan Dimensions
17	Reducer and Accessory Part Numbers (P/N)
29	Motor Mount Dimensions
31	Metric Belt Guard Dimensions
32	Minimum V-Belt Pulley Diameters
34	Nominal Pulley Ratios
36	Output Torque Ratings
38	Thermal Power Ratings Without Fan
40	Thermal Power Ratings With Fan
42	Maximum Input and Output Speeds
42	Backstop Lift-Off Speeds
43	Thrust Capacity For Screw Conveyor Drives
<b>Lubrication</b>	
44	Oil Recommendations
45	Vent and Plug Locations
46	Oil Volumes

# Metric Torque-Arm® II

## Features/benefits





# Metric Torque-Arm® II

## Features/benefits

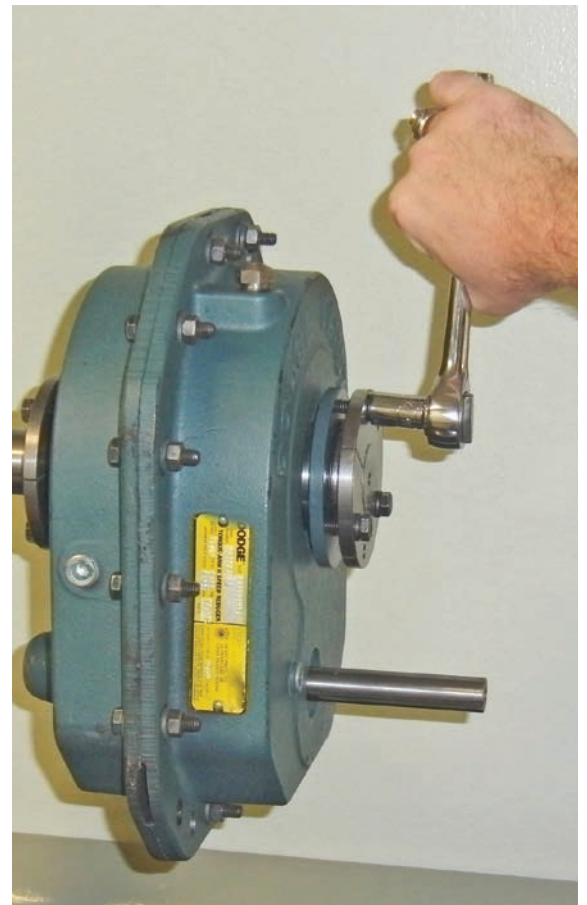
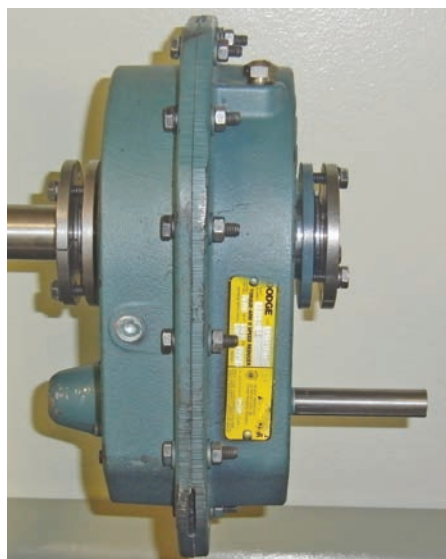
1. Dodge Torque-Arm II offers two types of mounting systems
  - a. Twin Tapered bushings for concentric grip and easy installation and removal (\*A)
  - b. Straight bore style for maximum bore capacity
2. Torque-Arm II utilizes heavy duty tapered roller bearings throughout the gearbox where competitive designs use normal duty ball bearings
3. Torque-Arm II is designed to the AGMA standard and provides a minimum average bearing life (L-50) of 25,000 hours at a 1.0 service factor even in the most severe load conditions. This is usually twice the bearing life found in competitive reducers that do not adhere to the AGMA design standard.
4. Extended gear centers and increased gear tooth contact provide dramatically increased torque and power ratings. Standard TAIL gear ratios are 5, 9, 15, 25 and 40:1.
5. Proven, case-carburized gear design ensures high efficiency and a 200% overload starting capacity at a 1.0 service factor.
6. Modular construction enables the user to adapt a single reducer for use in shaft mount, screw conveyor, vertical and flange mounted applications.
7. A unique, dual protection sealing system on all shafts consists of a metal reinforced, double-lip, spring loaded oil seal that is protected by an external labyrinth metal shield and excluder lip auxiliary seal
8. Primary oil seal lips use a premium material that has an operating temperature range of -40°C to +150°C. The TAIL seals provide 5-6 times the wear resistance of industry standard nitrile seals and have excellent compatibility with both mineral and synthetic lubricants
9. The 100% cast iron housing is equipped with 3 pry slots for easy access during repairs. The housing design eliminates bearing cap leak paths and maximizes surface area for greater heat dissipation
10. A magnetic drain plug and a unique, filtered air breather are standard.

\*A - Dodge twin taper bushing systems (see pictures) provide full concentric grip on the shaft on both sides of the reducer.

This eliminates hub/shaft contact and helps eliminate fretting corrosion that can be found in applications that use a straight bore or single bushing type reducer.

This also helps eliminate vibration from the system that can sometimes be caused by reducers that are mounted using a single bushing system.

The Dodge Twin Tapered Bushing kits require no special tools to install or remove.



# Metric Torque-Arm® II

## Features/benefits

### Modular Accessories



New Modular motor mount can be adjusted up, down or mounted on the side depending on the customer's requirements



New CEMA bolt-on adapter and shafts are engineered to CEMA dimensions. Adapter features double-lip seals on both sealing surfaces.



New bolt-on belt guard requires no drilling or straps



New TA rod kit with brackets for universal mounting



New Backstop with a centrifugal throw-out design eliminates sprag sliding and reduces wear; it operates with standard and EP lubricants

# Metric Torque-Arm® II

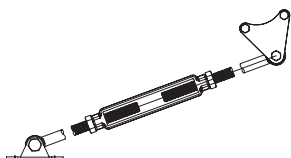
## Features/benefits

### Nomenclature - Basic Torque-Arm II Reducer TA1107H25M

#### Shaft Mounted Reducer Drive Accessories

#### TA1107RA

TA1107 rod assembly



#### TA1107H25M

TA - Torque-Arm II shaft mount reducer

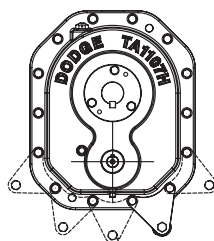
1 - Case size 1

107 - AGMA code reference & traditional bore size

H - Heavy duty ratings & extended bore size

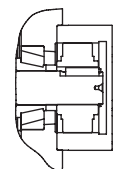
25 - Normal reducer ratio

M - Metric



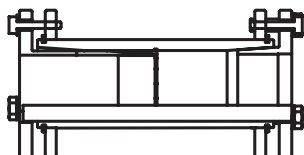
#### TA1107BS

Backstop assembly



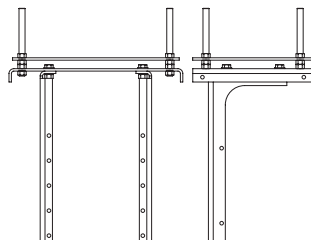
#### TA1107MTBS x 35

TA1107MTBS x 35 twin tapered bushing kit for short driven Shaft



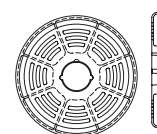
#### TA1107MM

TA1107MM motor mount assembly



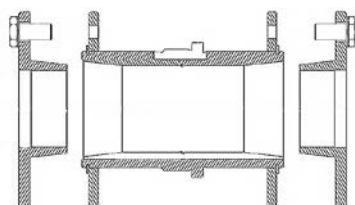
#### TA4207CF

Cooling fan assembly



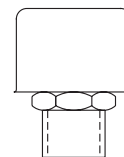
#### TA 1107MTB x 35

TA1107MTB x 35 twin tapered bushing kit for standard driven shaft



#### TA1-4 FB Kit

Filter breather kit



# Metric Torque-Arm® II

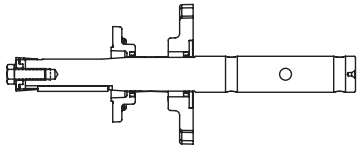
## Nomenclature

### Basic Torque-Arm II Reducer TA1107H25M

#### Screw Conveyor Drive Accessories

##### TA1107SCA

TA1107SCA Screw Conveyor  
Standard Adapter & Hardware Kit  
(does not include shaft)



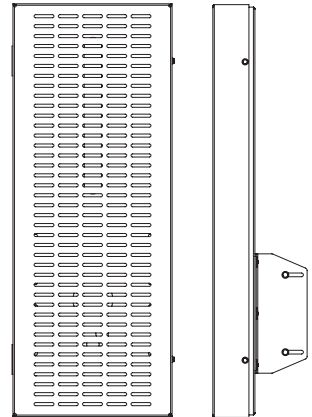
##### TA1107SCS x 1-7/16

TA1107SCS Screw Conveyor Drive  
Shaft x 1-7/16" Diameter



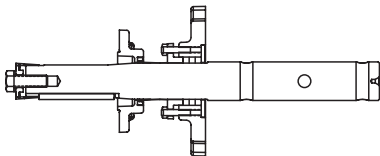
##### TA1107BG

TA1107BG Belt Guard



##### TA1107SCP Kit

TA1107SCP Screw Conveyor  
Adjustable Packing Kit  
(does not include shaft or adapter)





# Metric Torque-Arm® II

## Easy selection

### Shaft Mounted Speed Reducers

#### Selection

The ratings on page 10 for TAIL Shaft Mount reducers are for electric motor selections up to 434 kW with output speeds up to 400 RPM. For extreme shock or high energy loads which must be absorbed, as when stalling, for a power source other than an electric motor, or for extreme ambient temperature or over-sized equipment, consult Dodge Application Engineering.

#### Selection procedure

##### 1. Service Factor

From Table 1 select the service factor application to the drive

##### 2. Design Power

Multiply the absorbed power (or motor power if absorbed power not known) by the service factor chosen in step 1.

#### NOTE:

Gear units are momentarily capable of transmitting twice (2x) the rated capacity on start or during operation.

##### 3. Unit Selection

Using the value from step 2 refer to the power rating table on page 8 and select the correct size of unit.

The choice of single or double reduction gearbox will be determined by the output speed required. For the normal operating speeds for each of the gearboxes, see page 10 (power ratings).

##### 4. Hollow Shaft Bore and Driven Shaft

Compare hollow shaft bore with the size of the driven shaft. All of the Dodge TA II Taper Bushed reducers require bushings to mount reducer to driven shaft. Refer to page 15 for available bushings or bores.

##### 5. Check Thermal Ratings

Compare the absorbed or motor power from step 2 with the thermal power ratings from page 38 and 39 checking whether a cooling fan is required. If the application does not permit (or the customer does not want to use) a cooling fan, select a bigger size.

##### 6. Check Dimensions

See page 12 for reducer dimensions, page 17 for weights & part numbers, and Torque-Arm Rod mounting positions. See page 45 for reducer mounting positions.

##### 7. Select a Belt Drive Arrangement

The reducer sheave P.D., Pitch Diameter, should not be smaller than the minimum sheave diameter shown on page 32. Note: Mount the sheave as close as possible to the reducer to

minimize the effect of overhung load on the reducer. See DODGE Drives Components Catalogue (CA4000) to select sheaves, bushings and belts for the appropriate belt drive.

##### 8. Select Accessories

See page 7 and 15 for Description and Part Numbers of: Rod Assembly, Bushing Kit, Motor Mount, Cooling Fan, Backstop Assembly, Belt Guard, Screw Conveyor Adapter, Filter Breather, Drive Shaft, Adjustable Packing Kit, Vertical Breather Kit.

**Table 1 - Service factors**

Type of Driven Machine	Operational hours per day		
	Under 10	10 to 16	Over 16
<b>Uniform</b> Agitators And Mixers - Liquid or Semi-liquid Blowers - Centrifugal Bottling Machines Conveyors And Elevators - Uniformly Loaded Cookers Laundry Washing Machines - Non Reversing Line Shafts Pumps - Centrifugal and Gear Wire Drawing Machines	1,0	1,12	1,25
<b>Moderate Shock</b> Agitators And Mixers - Variable Density Conveyors - Not Uniformly Loaded Drawbench Feeders - Pulsating Load Kilns Laundry Tumblers Piston Pumps - With 3 or More Cylinders Pulp And Paper Making Machinery Rubber Mixers And Calendars Rotary Screens Textile Machinery	1,25	1,4	1,6
<b>Heavy Shock</b> Brick Presses Briquetting Machines Conveyors - Reciprocating and Shaker Crushers Feeders - Reciprocating Hammer Mills Piston Pumps - 1 or 2 Cylinders Rubber Masticators Vibrating Machines	1,6	1,8	2,0
Cranes - Travel Motion and Hoisting Hoists Lifts	Consult DODGE Application Engineering		

# Metric Torque-Arm® II

Easy selection

## Mechanical Power Ratings (kW)\*

Output RPM	TA0107L	TA1107H	TA2115H	TA3203H	TA4207H	TA5215H	TA6307H	TA7315H	TA8407H	TA9415H	TA10507H	TA12608H
<b>31:1 to 40:1</b>												
10	0.50	0.91	1.45	2.21	3.71	5.89	8.46	12.7	17.9	24.2	35.2	42.6
20	0.96	1.74	2.87	4.42	7.32	11.8	16.1	24.1	34.5	48.4	66.9	85.3
30	1.39	2.52	4.27	6.62	10.5	17.4	23.5	35.1	50.1	70.9	97.3	128
40	1.81	3.28	5.65	8.74	13.4	22.7	30.6	45.7	65.3	92.3	127	170
50	2.21	4.01	6.87	10.5	16.3	27.8	37.5	56.1	80.0	113	155	213
<b>25:1</b>												
10	0.50	0.91	1.45	2.21	3.71	5.89	8.46	12.7	17.9	24.2	35.2	42.6
20	0.96	1.73	2.89	4.42	7.32	11.8	16.1	24.1	34.5	48.4	66.6	85.0
30	1.39	2.52	4.34	6.62	10.5	17.4	23.5	35.1	50.1	70.9	94.3	128
40	1.81	3.28	5.65	8.74	13.4	22.7	30.6	45.7	65.3	91.9	122	170
50	2.21	4.01	6.87	10.5	16.3	27.8	37.5	56.1	80.1	113	146	213
60	2.61	4.72	8.01	12.3	19.0	32.9	44.3	66.2	94.5	133	170	255
70	3.00	5.42	9.05	14.0	21.7	37.8	50.9	76.1	109	153	193	298
80	3.38	6.11	9.93	15.6	24.3	42.6	57.4	85.8	123	173	217	327
<b>15:1</b>												
10	0.50	0.91	1.45	2.21	3.71	5.89	8.46	12.7	17.9	24.2	35.2	42.6
20	0.96	1.74	2.89	4.42	7.32	11.8	16.1	24.1	34.5	47.9	66.6	85.0
30	1.39	2.52	4.34	6.62	10.5	17.4	23.5	35.1	50.1	70.6	94.3	128
40	1.81	3.28	5.65	8.74	13.4	22.7	30.6	45.7	65.3	92.2	122	170
50	2.21	4.01	6.79	10.5	16.3	27.8	37.5	56.1	79.4	113	146	213
60	2.61	4.72	7.96	12.3	19.0	32.9	44.3	66.2	94.1	133	170	255
70	3.00	5.42	9.04	14.0	21.7	37.8	50.9	76.1	108	152	193	298
80	3.38	6.11	10.0	15.6	24.3	42.6	57.4	85.8	122	170	217	327
90	3.75	6.78	11.0	17.2	26.8	45.2	63.0	95.1	136	186	237	355
100	4.10	7.45	11.8	18.7	29.3	48.0	68.7	103	149	201	255	382
110	4.38	8.10	12.7	20.3	31.3	50.5	74.1	110	162	216	272	409
120	4.65	8.74	13.4	21.8	32.8	53.0	79.6	117	175	231	289	434
<b>09:1</b>												
80	3.38	6.11	10.0	15.5	23.6	39.6	57.0	84.3				
90	3.75	6.74	11.0	17.1	25.9	43.4	63.0	93.2				
100	4.12	7.34	11.8	18.7	28.1	47.2	68.7	102				
110	4.49	7.93	12.6	20.1	30.3	50.8	74.1	110				
120	4.85	8.50	13.3	21.6	32.4	54.1	79.6	117				
130	5.18	9.07	14.1	23.1	34.5	56.0	84.4	124				
140	5.45	9.62	14.8	24.4	36.6	57.7	89.0	130				
150	5.72	9.90	15.7	25.6	38.3	58.7	93.5	137				
160	5.99	10.3	16.5	26.8	39.8	59.6	97.5	143				
170	6.25	10.7	17.2	27.9	41.3	60.5	101	149				
180	6.50	11.1	18.0	28.6	42.6	61.4	104	153				
190	6.75	11.5	18.7	29.8	44.0	62.0	107	157				
200	7.00	11.9	19.5	30.9	45.2	62.7	110	162				

# Metric Torque-Arm® II

Easy selection

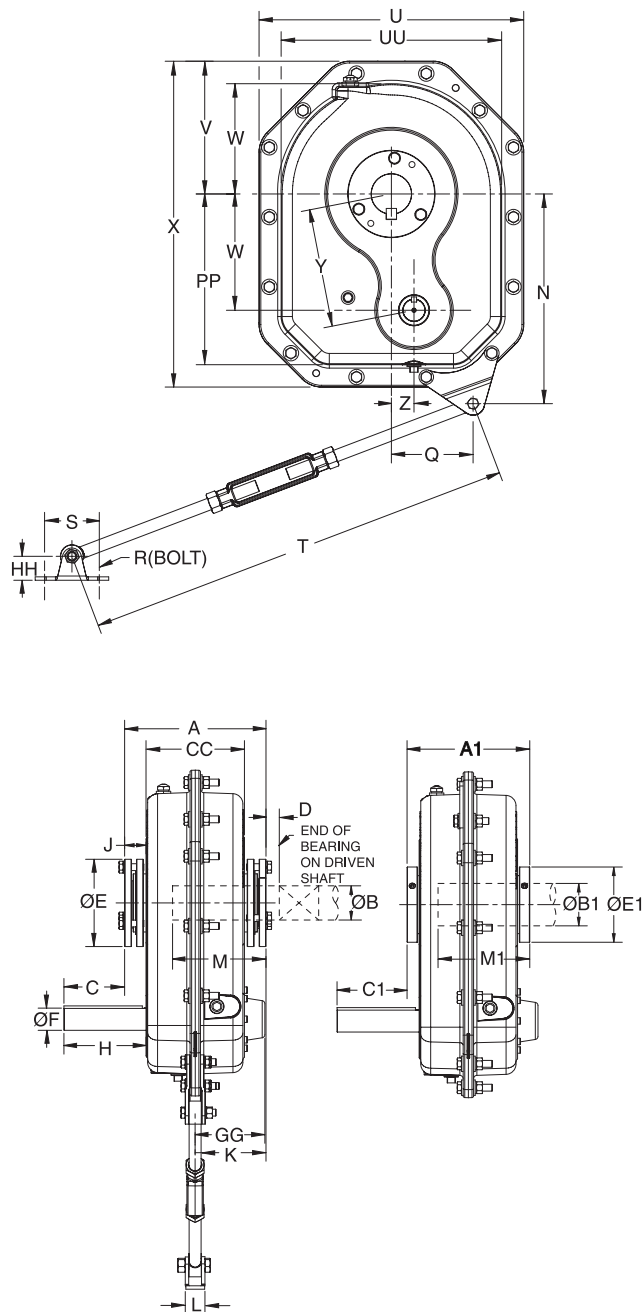
## Mechanical Power Ratings (kW)\*

Output RPM	TA0107L	TA1107H	TA2115H	TA3203H	TA4207H	TA5215H	TA6307H	TA7315H	TA8407H	TA9415H	TA10507H	TA12608H
<b>05:1</b>												
90	3.84	6.29	8.15	14.2	15.2	35.8	51.5	66.6				
100	4.11	6.72	8.77	14.6	16.9	39.8	55.5	70.4				
110	4.36	7.13	9.40	15.2	18.6	41.3	58.9	74.2				
120	4.60	7.53	10.1	15.7	20.3	42.9	62.2	78.0				
130	4.84	7.90	10.5	16.4	21.9	44.6	65.7	81.7				
140	5.06	8.24	11.0	17.1	23.6	46.5	69.1	85.5				
150	5.29	8.57	11.5	17.8	25.3	48.6	72.5	89.2				
160	5.51	8.93	12.0	18.4	27.0	49.8	75.5	92.9				
170	5.73	9.26	12.4	19.1	28.5	51.0	78.6	96.6				
180	5.94	9.60	12.9	19.8	29.6	52.5	81.7	100				
190	6.15	9.89	13.2	20.5	30.7	53.7	84.7	104				
200	6.36	10.2	13.7	21.3	31.8	55.0	87.7	108				
210	6.51	10.5	13.9	22.0	33.1	56.1	89.9	111				
220	6.67	10.7	14.3	22.7	34.3	57.0	92.0	114				
230	6.82	11.0	14.6	23.4	35.6	58.0	94.2	117				
240	6.96	11.2	15.0	24.1	37.1	59.0	96.4	121				
250	7.10	11.5	15.2	24.7	37.9	60.0	98.5	124				
260	7.24	11.7	15.7	25.4	38.6	60.6	101	127				
270	7.37	12.0	15.9	26.1	39.5	61.6	103	130				
280	7.50	12.2	16.0	26.7	40.2	62.5	106	133				
290	7.63	12.5	16.2	27.4	41.0	63.1	108	136				
300	7.76	12.7	16.6	28.1	41.8	64.0	111	140				
310	7.87	12.9	16.8	28.8	42.4	65.0	113	143				
320	7.99	13.1	16.9	29.5	43.2	66.0	115	146				
330	8.10	13.3	17.0	30.2	43.8	67.0	117	149				
340	8.18	13.5	17.2	30.8	44.4	67.7	119	152				
350	8.25	13.8	17.5	31.4	45.1	68.6	121	154				
360	8.32	14.0	17.6	32.0	45.8	69.7	123	155				
370	8.40	14.2	17.7	32.6	46.4	70.7	124	157				
380	8.47	14.4	17.8	33.2	47.1	71.3	126	159				
390	8.54	14.6	17.9	33.8	47.4	72.4	127	160				
400	8.61	14.8	17.9	34.4	47.6	73.4	129	162				

# Metric Torque-Arm<sup>®</sup> II

## Dimensions

### Reducer - Drawings



# Metric Torque-Arm® II

## Dimensions

### Reducer Dimensions (mm)

Size	A	A1	Max Bore		Input Shaft													
			Bushed (B)	Straight (B1) (3)	C	C1	D	E	E1	Dia (F)	Key	H	J	K	L	M	M1	N
TA0107L	173	150	30	40	67	78	30	83	82	25h8	8x7x85	93	26	87	27	110	131	198
TA1107H	177	148	35	45	64	78	30	95	89	25h8	8x7x85	92	28	88	27	113	129	223
TA2115H	198	165	50	55	68	85	36	111	105	28h8(1)	8x7x90 (1)	100	32	99	32	122	146	244
TA3203H	219	193	55	65	97	110	36	124	114	32h8 (2)	10x8x110 (2)	125	30	110	32	139	167	274
TA4207H	227	204	65	75	98	109	36	140	127	35h8	10x8x110	128	33	114	37	144	172	332
TA5215H	263	228	75	85	113	130	48	162	140	38h8	10x8x140	152	40	131	37	161	196	389
TA6307H	275	239	85	100	146	165	48	165	146	48h8	14x9x150	161	41	138	70	171	207	418
TA7315H	301	270	100	120	142	158	53	197	178	60h8	18x11x150	165	47	151	102	194	232	511
TA8407H	325	294	110	120	155	170	53	203	178	60h8	18x11x170	183	47	163	102	206	256	511
TA9415H	349	311	125	125	180	199	60	235	203	60h8	18x11x200	216	52	175	125	217	270	620
TA10507H	393	355	130	150	181	200	60	260	229	65h8	18x11x200	221	52	197	125	246	299	769
TA12608H	465	425	160	190	182	203	60	292	254	65h8	18x11x200	220	53	233	132	295	355	831

Size	P	P1	Q	Bolt		T		U	V	W	X	Y	Z	CC	GG	HH	PP	UU	VV
				R	S	Min	Max												
TA0107L	92	94	78	M10	63,5	610	762	240	120	87	288	89,7	23	121	93	24	138	181	90
TA1107H	107	94	83	M10	63,5	610	762	275	137	114	331	114,1	0	119	102	24	165	219	110
TA2115H	114	94	92	M10	76,2	686	838	320	160	138	383	138,4	0	135	110	27	192	259	130
TA3203H	125	100	105	M10	76,2	686	838	355	177	153	422	153,4	14	157	120	27	210	286	143
TA4207H	128	105	121	M12	101,6	737	889	422	211	186	512	187,5	26	161	123	45	263	346	173
TA5215H	135	125	152	M12	101,6	737	889	492	246	216	605	220,0	42	183	129	45	317	409	205
TA6307H	144	145	155	M16	120,7	749	902	522	261	233	641	237,2	45	194	137	51	339	441	221
TA7315H	178	165	183	M20	178,6	762	914	597	299	229	786	264,2	131	208	167	80	434	492	246
TA8407H	181	160	183	M20	178,6	762	914	598	299	235	786	267,5	129	232	175	80	434	492	246
TA9415H	223	165	102	M24	215,1	775	934	673	336	285	867	309,1	120	246	213	86	483	574	287
TA10507H	223	180	127	M24	215,1	775	934	739	370	505	1036	505,2	0	289	214	86	612	631	316
TA12608H	279	210	127	M24	227,8	787	940	765	382	550	1111	550,2	0	359	267	89	674	656	328

- (1) Input shaft diameter and key for 33:1 ratio TA2115H is 25h8 and 8x7x90  
(2) Input shaft diameter and key for 32:1 ratio TA3203H is 28h8 and 8x7x110  
(3) Straight bore tolerance is F9

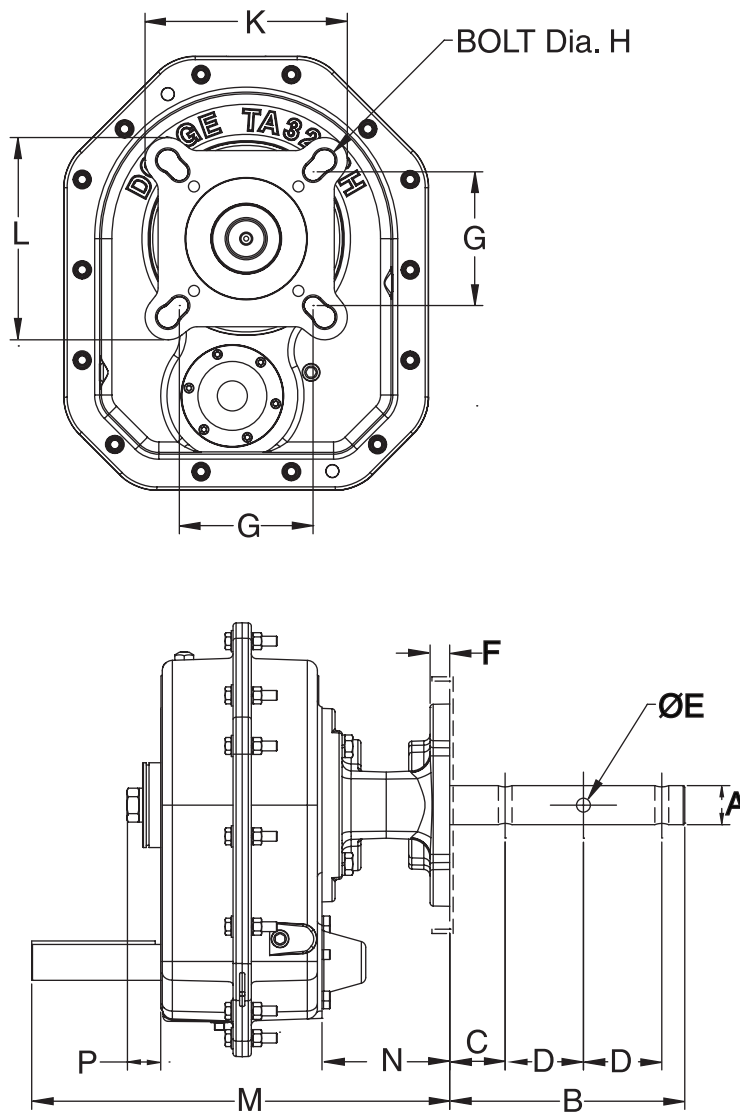


# Metric Torque-Arm® II

## Dimensions

### Screw Conveyor - Drawing

Reducer Size	Dimensions		
	M	N	P
TA0107L	13,04 (331)	4,89 (124)	1,11 (28)
TA1107H	12,80 (325)	4,46 (113)	1,15 (29)
TA2115H	14,07 (357)	4,83 (123)	1,23 (31)
TA3203H	16,01 (407)	4,89 (124)	1,27 (32)
TA4207H	16,87 (429)	5,52 (140)	1,36 (35)
TA5215H	18,94 (481)	5,75 (146)	1,54 (39)
TA6307H	20,76 (527)	5,95 (151)	0,69 (18)
TA7315H	21,60 (549)	5,75 (146)	0,97 (25)



# Metric Torque-Arm® II

## Dimensions

### Screw Conveyor Drive Dimensions in inches (in mm)

Reducer	Screw Dia	Drive Shaft Dia A	Dimensions							
			B	C	D	Hole Dia E	F	G	Bolt Dia H	K x L
TA0107L	6, 9	1-1/2 (38, 10)	9 (229)	2,13 (54)	3 (76)	17/32 (13, 49)	0,75 (19)	4 (102)	1/2-13	7,75x7,74 (197x197)
	9, 12	2 (50, 80)	9 (229)	2,13 (54)	3 (76)	21/32 (16,67)	0,75 (19)	5,13 (130)	5/8	
	12, 14	2-7/16 (61, 91)	9,69 (246)	2,75 (70)	3 (76)	21/32 (16,67)	0,75 (19)	5,63 (143)	5/8	
	12, 14, 16, 18, 20	3 (76, 20)	9,88 (251)	2,88 (73)	3 (76)	25/32 (19, 84)	0,75 (19)	6 (152)	3/4	
TA1107H	6, 9	1-1/2 (38, 10)	9 (229)	2,13 (54)	3 (76)	17/32 (13, 49)	0,75 (19)	4 (102)	1/2-13	7,75x7,75 (197x197)
	9, 12	2 (50, 80)	9 (229)	2,13 (54)	3 (76)	21/32 (16,67)	0,75 (19)	5,13 (130)	5/8	
	12, 14	2-7/16 (61, 91)	9,69 (246)	2,75 (70)	3 (76)	21/32 (16,67)	0,75 (19)	5,63 (143)	5/8	
	12, 14, 16, 18, 20	3 (76, 20)	9,88 (251)	2,88 (73)	3 (76)	25/32 (19, 84)	0,75 (19)	6 (152)	3/4	
TA2115H	6, 9	1-1/2 (38, 10)	9 (229)	2,13 (54)	3 (76)	17/32 (13, 49)	0,75 (19)	4 (102)	1/2-13	7,75x7,75 (197x197)
	9, 12	2 (50, 80)	9 (229)	2,13 (54)	3 (76)	21/32 (16,67)	0,75 (19)	5,13 (130)	5/8	
	12, 14	2-7/16 (61, 91)	9,69 (246)	2,75 (70)	3 (76)	21/32 (16,67)	0,75 (19)	5,63 (143)	5/8	
	12, 14, 16, 18, 20	3 (76, 20)	9,88 (251)	2,88 (73)	3 (76)	25/32 (19, 84)	0,75 (19)	6 (152)	3/4	
TA3203H	6, 9	1-1/2 (38, 10)	9 (229)	2,13 (54)	3 (76)	17/32 (13, 49)	0,75 (19)	4 (102)	1/2-13	7,75x7,75 (197x197)
	9, 12	2 (50, 80)	9 (229)	2,13 (54)	3 (76)	21/32 (16,67)	0,75 (19)	5,13 (130)	5/8	
	12, 14	2-7/16 (61, 91)	9,69 (246)	2,75 (70)	3 (76)	21/32 (16,67)	0,75 (19)	5,63 (143)	5/8	
	12, 14, 16, 18, 20	3 (76, 20)	9,88 (251)	2,88 (73)	3 (76)	25/32 (19, 84)	0,75 (19)	6 (152)	3/4	
TA4207H	9, 12	2 (50, 80)	9 (229)	2,13 (54)	3 (76)	21/32 (16,67)	0,75 (19)	5,13 (130)	5/8	9,25x9,25 (235x235)
	12, 14	2-7/16 (61, 91)	9,69 (246)	2,75 (70)	3 (76)	21/32 (16,67)	0,75 (19)	5,63 (143)	5/8	
	12, 14, 16, 18, 20	3 (76, 20)	9,88 (251)	2,88 (73)	3 (76)	25/32 (19, 84)	0,75 (19)	6 (152)	3/4	
	18, 20, 24	3-7/16 (87, 31)	13,13 (334)	3,88 (99)	4 (102)	29/32 (23, 02)	0,75 (19)	6,75 (171)	3/4	
TA5215H	9, 12	2 (50, 80)	9 (229)	2,13 (54)	3 (76)	21/32 (16,67)	0,75 (19)	5,13 (130)	5/8	9,25x9,25 (235x235)
	12, 14	2-7/16 (61, 91)	9,69 (246)	2,75 (70)	3 (76)	21/32 (16,67)	0,75 (19)	5,63 (143)	5/8	
	12, 14, 16, 18, 20	3 (76, 20)	9,88 (251)	2,88 (73)	3 (76)	25/32 (19, 84)	0,75 (19)	6 (152)	3/4	
	18, 20, 24	3-7/16 (87, 31)	13,13 (334)	3,88 (99)	4 (102)	29/32 (23, 02)	0,75 (19)	6,75 (171)	3/4	
TA6307H	12, 14	2-7/16 (61, 91)	9,69 (246)	2,75 (70)	3 (76)	21/32 (16,67)	0,75 (19)	5,63 (143)	5/8	9,25x9,25 (235x235)
	12, 14, 16, 18, 20	3 (76, 20)	9,88 (251)	2,88 (73)	3 (76)	25/32 (19, 84)	0,75 (19)	6 (152)	3/4	
	18, 20, 24	3-7/16 (87, 31)	13,13 (334)	3,88 (99)	4 (102)	29/32 (23, 02)	0,75 (19)	6,75 (171)	3/4	
TA7315H	12, 14	2-7/16 (61, 91)	9,69 (246)	2,75 (70)	3 (76)	21/32 (16,67)	0,75 (19)	5,63 (143)	5/8	10,50x9,25 (267x235)
	12, 14, 16, 18, 20	3 (76, 20)	9,88 (251)	2,88 (73)	3 (76)	25/32 (19, 84)	0,75 (19)	6 (152)	3/4	
	18, 20, 24	3-7/16 (87, 31)	13,13 (334)	3,88 (99)	4 (102)	29/32 (23, 02)	0,75 (19)	6,75 (171)	3/4	

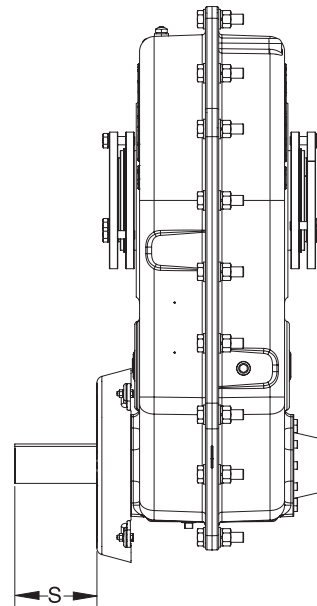
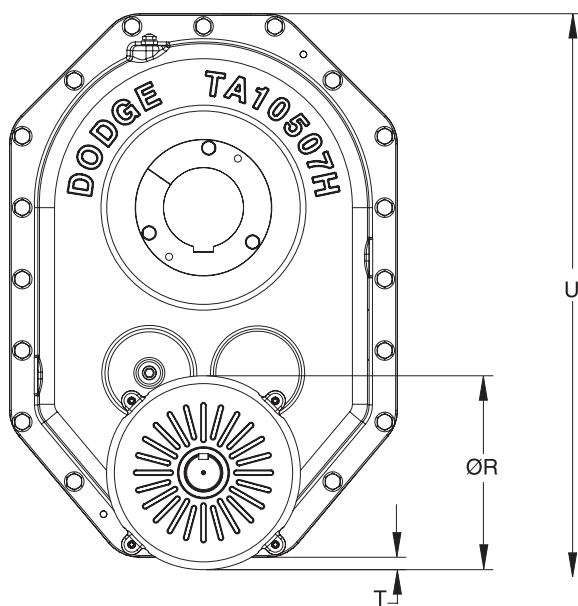
# Metric Torque-Arm® II

## Dimensions

### Cooling Fan - Drawing

Cooling Fan Dimension in mm

Reducer Size	R Dia,	S	T	U
TA4207H	229	96	-	-
TA5215H	273	118	-	-
TA6307H	301	102	4	644
TA7315H	301	104	-	-
TA8407H	301	122	-	-
TA9415H	370	152	-	-
TA10507H	370	156	24	1060
TA12608H	370	156	6	1117



# Metric Torque-Arm® II

## Dimensions

### Part Numbers

## TA0107L-M

### Reducer

Description	Part No	Ref. Code	Actual Ratio	Weight kg
Twin Tapered Reducer				
TA0107L05M Metric Taper Bush Red	900009	B	5,2	18,0
TA0107L09M Metric Taper Bush Red	900008	B	9,0	18,7
TA0107L15M Metric Taper Bush Red	900007	B	14,9	18,6
TA0107L25M Metric Taper Bush Red	900006	B	25,1	18,7
TA0107L31M Metric Taper Bush Red	900005	B	30,9	18,7
Straight Hub Reducer				
TA0107L05MS x 40 mm Str Bore Red	900014	B	5,2	18,7
TA0107L09MS x 40 mm Str Bore Red	900013	B	9,0	19,4
TA0107L15MS x 40 mm Str Bore Red	900012	B	14,9	19,3
TA0107L25MS x 40 mm Str Bore Red	900011	B	25,1	19,4
TA0107L31MS x 40 mm Str Bore Red	900010	B	30,9	19,4

### Twin Tapered Bushings

Description	Part No	Shaft Keyseat required	Weight kg
Twin Tapered Standard Shaft			
TA0107MTB X 25 MM TAPER BUSH KIT	900033	8 x 4 x 174	1,2
TA0107MTB X 30 MM TAPER BUSH KIT	900032	8 x 4 x 174	1,0
TA0107MTB X 32 MM TAPER BUSH KIT	900031	10 x 5 x 174	0,8
TA0107MTB X 35 MM TAPER BUSH KIT	900030	10 x 5 x 174	0,7
Straight Bore Bushing			
TA0107MSBB X 35 MM STR BORE BUSH KIT	900057	10 x 5 x 105	1,0

### Twin Tapered Bushings

Description	Part No	Shaft Keyseat required	Weight kg
Twin Tapered Short Shaft			
TA0107MTBS x 25 mm SS Tpr Bu Kit	900035	8 x 4 x 110	1,2
TA0107MTBS x 30 mm SS Tpr Bu Kit	900034	8 x 4 x 110	1,0
Straight Bore Reducer Hub			
Max Bore TA0107L-M x 40 mm		12 x 5 x 148	

### Harsh Duty Accessories

Description	Part No	Weight kg
Filter Breather (ceramic 40 micron)	430048	0,1
TA0-TA3 Hydra-Lock Dessicant Breather Kit	964372	0,1
TA0107 Closed Aluminum Bushing cover	900114	0,1
TA0107 Open/split Aluminum Bushing cover	900115	0,1
TA0 V-ring seal kit for shaft mounted reducer	900249	0,1

### Accessories

Description	Part No	Weight kg
TA0107RA TA Rod Assembly	900109	2,0
TA0107HMM IEC Motor Mount Assy	900092	16,1
TA1107H/0107L BS Backstop Assy	901102	1,8
TA0107BG Belt Guard - Pos, B	900096	18,5
TA0107BG Belt Guard - Pos, C	900097	19,2
TA0-TA3 Vertical Breather Kit	900112	0,9
Screw Conveyor Drive		
TA0107SCA Adapter & Hdw Kit	900070	6,7
TA0107SCP Adjustable Packing Kit	900071	0,4
TA0107SCS x 1-1/2 Drive Shaft	900072	4,0
TA0107SCS x 2 Drive Shaft	900073	5,5
TA0107SCS x 2-7/16 Drive Shaft	900074	7,5
TA0107SCS x 3 Drive Shaft	900075	10,4

### Twin Tapered Bushings (inch bushings)

Description	Part No	Shaft Keyseat required	Weight kg
Twin Tapered Standard Shaft			
TA0107TB x 1-7/16	900020	3/8 x 3/16 x 6.83	0,7
TA0107TB x 1-3/8	900021	5/16 x 5/32 x 6.83	0,7
TA0107TB x 1-5/16	900022	5/16 x 5/32 x 6.83	0,8
TA0107TB x 1-1/4	900023	1/4 x 1/8 x 6.83	0,9
TA0107TB x 1-3/16	900024	1/4 x 1/8 x 6.83	0,9
TA0107TB x 1-1/8	900025	1/4 x 1/8 x 6.83	1,0
TA0107TB x 1	900026	1/4 x 1/8 x 6.83	1,1

### Twin Tapered Bushings (inch bushings)

Description	Part No	Shaft Keyseat required	Weight kg
Twin Tapered Short Shaft			
TA0107TBS x 1-3/16	900027	1/4 x 1/8 x 4.35	1,0
TA0107TBS x 1-1/8	900028	1/4 x 1/8 x 4.35	1,0
TA0107TBS x 1	900029	1/4 x 1/8 x 4.35	1,2

# Metric Torque-Arm® II

## Dimensions

### Part Numbers

## TA1107H-M

### Reducer

Description	Part No	Ref. Code	Actual Ratio	Weight kg
Twin Tapered Reducer				
TA1107H05M Metric Taper Bush Redr	901009	C	5,0	25,2
TA1107H09M Metric Taper Bush Redr	901008	C	9,0	25,8
TA1107H15M Metric Taper Bush Redr	901007	C	14,9	25,8
TA1107H25M Metric Taper Bush Redr	901006	C	25,1	25,8
TA1107H31M Metric Taper Bush Redr	901005	C	30,9	25,8
Straight Hub Reducer				
TA1107H05MS x 45 mm Str Bore Red	901014	C	5,0	25,7
TA1107H09MS x 45 mm Str Bore Red	901013	C	9,0	26,4
TA1107H15MS x 45 mm Str Bore Red	901012	C	14,9	26,3
TA1107H25MS x 45 mm Str Bore Red	901011	C	25,1	26,3
TA1107H31MS x 45 mm Str Bore Red	901010	C	30,9	26,4

### Twin Tapered Bushings

Description	Part No	Shaft Keyseat required	Weight kg
Twin Tapered Standard Shaft			
TA1107MTB X 30 MM TAPER BUSH KIT	901044	8 x 4 x 177	2,0
TA1107MTB X 32 MM TAPER BUSH KIT	901043	10 x 5 x 177	1,9
TA1107MTB X 35 MM TAPER BUSH KIT	901042	10 x 5 x 177	1,8
TA1107MTB X 38 MM TAPER BUSH KIT	901041	10 x 5 x 177	1,6
TA1107MTB X 40 MM TAPER BUSH KIT	901040	12 x 5 x 177	1,4
Straight Bore Bushing			
TA1107MSBB X 40 MM STR BORE BUSH KIT	901057	12 x 5 x 105	1,8

### Twin Tapered Bushings

Description	Part No	Shaft Keyseat required	Weight kg
Twin Tapered Short Shaft			
TA1107MTBS x 30 mm Tpr Bush Kit	901052	8 x 4 x 113	2,0
TA1107MTBS x 32 mm Tpr Bush Kit	901051	10 x 5 x 113	1,9
TA1107MTBS x 35 mm Tpr Bush Kit	901050	10 x 5 x 113	1,8
Straight Bore Reducer Hub			
Max Bore TA1107H-M x 45 mm		14 x 5,5 x 148	

### Harsh Duty Accessories

Description	Part No	Weight kg
Filter Breather (ceramic 40 micron)	430048	0,1
TA0-TA3 Hydra-Lock Dessicant Breather Kit	964372	0,1
TA1107 Closed Aluminum Bushing cover	901114	0,2
TA1107 Open/split Aluminum Bushing cover	901115	0,2
TA1 V-ring seal kit for shaft mounted reducer	901249	0,1

### Accessories

Description	Part No	Weight kg
TA1107RA TA Rod Assembly	901109	2,0
TA1107HMM IEC Motor Mount Assy	901092	17,9
TA1107H/0107L BS Backstop Assy	901102	1,8
TA1107HBG Belt Guard - Pos, B	901096	18,5
TA1107HBG Belt Guard - Pos, C	901097	19,6
TA0-TA3 Vertical Breather Kit	900112	0,9
Screw Conveyor Drive		
TA1107HSCA Adapter & Hdwr Kit	901070	6,9
TA1107HSCP Adjustable Packing Kit	901071	0,4
TA1107HSCS x 1-1/2 Drive Shaft	901072	4,7
TA1107HSCS x 2 Drive Shaft	901073	6,1
TA1107HSCS x 2-7/16 Drive Shaft	901074	8,2
TA1107HSCS x 3 Drive Shaft	901075	11,1

### Twin Tapered Bushings (inch bushings)

Description	Part No	Shaft Keyseat required	Weight kg
Twin Tapered Standard Shaft			
TA1107TB x 1-1/2	901020	3/8 x 3/16 x 6.95	1,5
TA1107TB x 1-7/16	901021	3/8 x 3/16 x 6.95	1,6
TA1107TB x 1-3/8	901022	5/16 x 5/32 x 6.95	1,6
TA1107TB x 1-5/16	901023	5/16 x 5/32 x 6.95	1,7
TA1107TB x 1-1/4	901024	1/4 x 1/8 x 6.95	1,7
TA1107TB x 1-3/16	901025	1/4 x 1/8 x 6.95	1,7
TA1107TB x 1-1/8	901026	1/4 x 1/8 x 6.95	1,8
TA1107TB x 1-1/16	901027	1/4 x 1/8 x 6.95	1,8
TA1107TB x 1	901028	1/4 x 1/8 x 6.95	1,9

### Twin Tapered Bushings (inch bushings)

Description	Part No	Shaft Keyseat required	Weight kg
Twin Tapered Short Shaft			
TA1107TBS x 1-7/16	901030	3/8 x 3/16 x 4.43	1,7
TA1107TBS x 1-3/8	901031	5/16 x 5/32 x 4.43	1,7
TA1107TBS x 1-5/16	901032	5/16 x 5/32 x 4.43	1,8
TA1107TBS x 1-1/4	901033	1/4 x 1/8 x 4.43	1,9
TA1107TBS x 1-3/16	901034	1/4 x 1/8 x 4.43	1,9
TA1107TBS x 1-1/8	901035	1/4 x 1/8 x 4.43	2,0
TA1107TBS x 1-1/16	901036	1/4 x 1/8 x 4.43	2,0
TA1107TBS x 1	901037	1/4 x 1/8 x 4.43	2,1



# Metric Torque-Arm® II

## Dimensions

### Part Numbers

## TA2115H-M

### Reducer

Description	Part No	Ref. Code	Actual Ratio	Weight kg
Twin Tapered Reducer				
TA2115H05M Metric Taper Bush Red	902009	D	5,2	38,2
TA2115H09M Metric Taper Bush Red	902008	D	9,1	39,3
TA2115H15M Metric Taper Bush Red	902007	D	15,6	39,2
TA2115H25M Metric Taper Bush Red	902006	D	25,1	39,1
TA2115H33M Metric Taper Bush Red	902005	D	33,3	39,0
Straight Hub Reducer				
TA2115H05MS x 55 mm Str Bore Red	902014	D	5,2	39,2
TA2115H09MS x 55 mm Str Bore Red	902013	D	9,1	40,2
TA2115H15MS x 55 mm Str Bore Red	902012	D	15,6	40,1
TA2115H25MS x 55 mm Str Bore Red	902011	D	25,1	40,1
TA2115H33MS x 55 mm Str Bore Red	902010	D	33,3	39,9

### Twin Tapered Bushings

Description	Part No	Shaft Keyseat required	Weight kg
Twin Tapered Standard Shaft			
TA2115MTB X 35 MM TAPER BUSH KIT	902046	10 x 5 x 199	3,5
TA2115MTB X 38 MM TAPER BUSH KIT	902045	10 x 5 x 199	3,3
TA2115MTB X 40 MM TAPER BUSH KIT	902044	12 x 5 x 199	3,2
TA2115MTB X 42 MM TAPER BUSH KIT	902043	12 x 5 x 199	3,0
TA2115MTB X 45 MM TAPER BUSH KIT	902042	14 x 5,5 x 199	2,9
TA2115MTB X 50 MM TAPER BUSH KIT	902041	14 x 5,5 x 199	2,5
TA2115MTB X 55 MM TAPER BUSH KIT	902040	16 x 6 x 199	2,3
Straight Bore Bushing			
TA2115MSBB X 50 MM STR BORE BUSH KIT	902057	14 x 5,5 x 120	2,9

### Twin Tapered Bushings

Description	Part No	Shaft Keyseat required	Weight kg
Twin Tapered Short Shaft			
TA2115MTBS x 35 mm Tpr Bush Kit	902055	10 x 5 x 122	3,5
TA2115MTBS x 38 mm Tpr Bush Kit	902054	10 x 5 x 122	3,3
TA2115MTBS x 40 mm Tpr Bush Kit	902053	12 x 5 x 122	3,2
TA2115MTBS x 42 mm Tpr Bush Kit	902052	12 x 5 x 122	3,0
TA2115MTBS x 45 mm Tpr Bush Kit	902051	14 x 5,5 x 122	2,9
TA2115MTBS x 50 mm Tpr Bush Kit	902050	14 x 5,5 x 122	2,5
Straight			
Max Bore TA2115H-M x 55 mm		16 x 6 x 165	

### Harsh Duty Accessories

Description	Part No	Weight kg
Filter Breather (ceramic 40 micron)	430048	0,1
TA0-TA3 Hydra-Lock Dessicant Breather Kit	964372	0,1
TA2115 Closed Aluminum Bushing cover	902114	0,4
TA2115 Open/split Aluminum Bushing cover	902115	0,4
TA2 V-ring seal kit for shaft mounted reducer	902249	0,1

### Accessories

Description	Part No	Weight kg
TA2115RA TA Rod Assembly	902109	3,1
TA2115MM IEC Motor Mount Assy	902092	24,0
TA2115BS Backstop Assembly	902102	1,8
TA2115BG Belt Guard - Pos, B	902096	21,7
TA2115BG Belt Guard - Pos, C	902097	23,7
TA0-TA3 Vertical Breather Kit	900112	0,9
Screw Conveyor Drive		
TA2115SCA Adapter & Hdw Kit	902070	8,7
TA2115SCP Adjustable Packing Kit	902071	0,5
TA2115SCS x 1-1/2 Drive Shaft	902072	7,0
TA2115SCS x 2 Drive Shaft	902073	8,5
TA2115SCS x 2-7/16 Drive Shaft	902074	10,6
TA2115SCS x 3 Drive Shaft	902075	13,4

### Twin Tapered Bushings (inch bushings)

Description	Part No	Shaft Keyseat required	Weight kg
Twin Tapered Standard Shaft			
TA2115TB x 2-3/16	902020	1/2 x 1/4 x 7.80	2,1
TA2115TB x 2	902022	1/2 x 1/4 x 7.80	2,4
TA2115TB x 1-15/16	902023	1/2 x 1/4 x 7.80	2,5
TA2115TB x 1-7/8	902024	1/2 x 1/4 x 7.80	2,5
TA2115TB x 1-3/4	902025	3/8 x 3/16 x 7.80	2,6
TA2115TB x 1-11/16	902026	3/8 x 3/16 x 7.80	2,8
TA2115TB x 1-5/8	902027	3/8 x 3/16 x 7.80	2,8
TA2115TB x 1-1/2	902028	3/8 x 3/16 x 7.80	2,9
TA2115TB x 1-7/16	902029	3/8 x 3/16 x 7.80	2,9
TA2115TB x 1-3/8	902060	5/16 x 5/32 x 7.80	2,9
TA2115TB x 1-5/16	902061	5/16 x 5/32 x 7.80	3,0

### Twin Tapered Bushings (inch bushings)

Description	Part No	Shaft Keyseat required	Weight kg
Twin Tapered Short Shaft			
TA2115TBS x 1-15/16	902030	1/2 x 1/4 x 4.80	2,5
TA2115TBS x 1-7/8	902031	1/2 x 1/4 x 4.80	2,7
TA2115TBS x 1-3/4	902032	3/8 x 3/16 x 4.80	2,7
TA2115TBS x 1-11/16	902033	3/8 x 3/16 x 4.80	3,0
TA2115TBS x 1-5/8	902034	3/8 x 3/16 x 4.80	3,1
TA2115TBS x 1-1/2	902035	3/8 x 3/16 x 4.80	3,3
TA2115TBS x 1-7/16	902036	3/8 x 3/16 x 4.80	3,4
TA2115TBS x 1-3/8	902037	5/16 x 5/32 x 4.80	3,4
TA2115TBS x 1-5/16	902038	5/16 x 5/32 x 4.80	3,5

# Metric Torque-Arm® II

## Dimensions

### Part Numbers

## TA3203H-M

### Reducer

Description	Part No	Ref. Code	Actual Ratio	Weight kg
Twin Tapered Reducer				
TA3203H05M Metric Taper Bush Red	903009	E	4,9	48,9
TA3203H09M Metric Taper Bush Red	903008	E	9,2	50,7
TA3203H15M Metric Taper Bush Red	903007	E	15,1	50,6
TA3203H25M Metric Taper Bush Red	903006	E	25,0	50,5
TA3203H32M Metric Taper Bush Red	903005	E	32,5	50,1
Straight Hub Reducer				
TA3203H05MS x 65 mm Str Bore Red	903014	E	4,9	49,6
TA3203H09MS x 65 mm Str Bore Red	903013	E	9,2	51,5
TA3203H15MS x 65 mm Str Bore Red	903012	E	15,1	51,4
TA3203H25MS x 65 mm Str Bore Red	903011	E	25,0	51,3
TA3203H32MS x 65 mm Str Bore Red	903010	E	32,5	50,9

### Twin Tapered Bushings

Description	Part No	Shaft Keyseat required	Weight kg
Twin Tapered Standard Shaft			
TA3203MTB X 35 MM TAPER BUSH KIT	903047	10 x 5 x 218	4,8
TA3203MTB X 38 MM TAPER BUSH KIT	903046	10 x 5 x 218	4,6
TA3203MTB X 40 MM TAPER BUSH KIT	903045	12 x 5 x 218	4,5
TA3203MTB X 42 MM TAPER BUSH KIT	903044	12 x 5 x 218	4,3
TA3203MTB X 45 MM TAPER BUSH KIT	903043	14 x 5,5 x 218	4,1
TA3203MTB X 50 MM TAPER BUSH KIT	903042	14 x 5,5 x 218	3,7
TA3203MTB X 55 MM TAPER BUSH KIT	903041	16 x 6 x 218	3,2
TA3203MTB X 60 MM TAPER BUSH KIT	903040	18 x 7 x 218	2,9
Straight Bore Bushing			
TA3203MSBB X 60 MM STR BORE BUSH KIT	903057	18 x 7 x 130	4,1

### Twin Tapered Bushings

Description	Part No	Shaft Keyseat required	Weight kg
Twin Tapered Short Shaft			
TA3203MTBS x 35 mm Tpr Bush Kit	903056	10 x 5 x 139	4,8
TA3203MTBS x 38 mm Tpr Bush Kit	903055	10 x 5 x 139	4,6
TA3203MTBS x 40 mm Tpr Bush Kit	903054	12 x 5 x 139	4,5
TA3203MTBS x 42 mm Tpr Bush Kit	903053	12 x 5 x 139	4,3
TA3203MTBS x 45 mm Tpr Bush Kit	903052	14 x 5,5 x 139	4,1
TA3203MTBS x 50 mm Tpr Bush Kit	903051	14 x 5,5 x 139	3,7
TA3203MTBS x 55 mm Tpr Bush Kit	903050	16 x 6 x 139	3,2
Straight Hub Reducer			
Max Bore TA3203H-M x 65mm		18 x 7 x 192	

### Harsh Duty Accessories

Description	Part No	Weight kg
Filter Breather (ceramic 40 micron)	430048	0,1
TA0-TA3 Hydra-Lock Dessicant Breather Kit	964372	0,1
TA3203 Closed Aluminum Bushing cover	903114	0,5
TA3203 Open/split Aluminum Bushing cover	903115	0,5
TA3 V-ring seal kit for shaft mounted reducer	903249	0,1

### Accessories

Description	Part No	Weight kg
TA3203RA TA Rod Assembly	903109	3,1
TA3203MM IEC Motor Mount Assy	903092	39,6
TA3203BS Backstop Assembly	903102	2,1
TA3203BG Belt Guard - Pos, B	903096	29,8
TA3203BG Belt Guard - Pos, C	903097	30,9
TA0-TA3 Vertical Breather Kit	900112	0,9
For Screw Conveyor Drive		
TA3203SCA Adapter & Hardware Kit	903070	10,0
TA3203SCP Adjustable Packing Kit	903071	0,6
TA3203SCS x 1-1/2 Drive Shaft	903072	8,8
TA3203SCS x 2 Drive Shaft	903073	10,3
TA3203SCS x 2-7/16 Drive Shaft	903074	12,4
TA3203SCS x 3 Drive Shaft	903075	15,3

### Twin Tapered Bushings (inch bushings)

Description	Part No	Shaft Keyseat required	Weight kg
Twin Tapered Standard Shaft			
TA3203TB x 2-3/8	903020	5/8 x 5/16 x 8.55	2,8
TA3203TB x 2-1/4	903021	1/2 x 1/4 x 8.55	2,8
TA3203TB x 2-3/16	903022	1/2 x 1/4 x 8.55	3,1
TA3203TB x 2-1/8	903023	1/2 x 1/4 x 8.55	3,2
TA3203TB x 2	903024	1/2 x 1/4 x 8.55	3,4
TA3203TB x 1-15/16	903025	1/2 x 1/4 x 8.55	3,5
TA3203TB x 1-7/8	903026	1/2 x 1/4 x 8.55	3,6
TA3203TB x 1-3/4	903027	3/8 x 3/16 x 8.55	3,6
TA3203TB x 1-11/16	903028	3/8 x 3/16 x 8.55	3,7
TA3203TB x 1-5/8	903029	3/8 x 3/16 x 8.55	3,8
TA3203TB x 1-1/2	903060	3/8 x 3/16 x 8.55	4,0
TA3203TB x 1-7/16	903061	3/8 x 3/16 x 8.55	4,0

### Twin Tapered Bushings (inch bushings)

Description	Part No	Shaft Keyseat required	Weight kg
Twin Tapered Short Shaft			
TA3203TBS x 2-3/16	903030	1/2 x 1/4 x 5.46	3,2
TA3203TBS x 2-1/8	903031	1/2 x 1/4 x 5.46	3,4
TA3203TBS x 2	903032	1/2 x 1/4 x 5.46	3,6
TA3203TBS x 1-15/16	903033	1/2 x 1/4 x 5.46	3,8
TA3203TBS x 1-7/8	903034	1/2 x 1/4 x 5.46	3,9
TA3203TBS x 1-3/4	903035	3/8 x 3/16 x 5.46	4,1
TA3203TBS x 1-11/16	903036	3/8 x 3/16 x 5.46	4,2
TA3203TBS x 1-5/8	903037	3/8 x 3/16 x 5.46	4,4
TA3203TBS x 1-1/2	903038	3/8 x 3/16 x 5.46	4,5
TA3203TBS x 1-7/16	903039	3/8 x 3/16 x 5.46	4,5

# Metric Torque-Arm® II

## Dimensions

### Part Numbers

## TA4207H-M

### Reducer

Description	Part No	Ref. Code	Actual Ratio	Weight kg
Twin Tapered Reducer				
TA4207H05M Metric Taper Bush Red	904009	F	5,0	81,1
TA4207H09M Metric Taper Bush Red	904008	F	9,2	85,0
TA4207H15M Metric Taper Bush Red	904007	F	15,0	84,8
TA4207H25M Metric Taper Bush Red	904006	F	25,1	84,5
TA4207H40M Metric Taper Bush Red	904005	F	39,1	84,2
Straight Hub Reducer				
TA4207H05MS x 75 mm Str Bore Red	904014	F	5,0	82,7
TA4207H09MS x 75 mm Str Bore Red	904013	F	9,2	86,7
TA4207H15MS x 75 mm Str Bore Red	904012	F	15,0	86,5
TA4207H25MS x 75 mm Str Bore Red	904011	F	25,1	86,2
TA4207H40MS x 75 mm Str Bore Red	904010	F	39,1	85,9

### Twin Tapered Bushings

Description	Part No	Shaft Keyseat required	Weight kg
Twin Tapered Standard Shaft			
TA4207MTB X 42 MM TAPER BUSH KIT	904048	12 x 5 x 227	7,1
TA4207MTB X 45 MM TAPER BUSH KIT	904047	14 x 5,5 x 227	6,9
TA4207MTB X 50 MM TAPER BUSH KIT	904046	14 x 5,5 x 227	6,4
TA4207MTB X 55 MM TAPER BUSH KIT	904045	16 x 6 x 227	5,9
TA4207MTB X 60 MM TAPER BUSH KIT	904044	18 x 7 x 227	5,4
TA4207MTB X 65 MM TAPER BUSH KIT	904043	18 x 7 x 227	4,7
TA4207MTB X 70 MM TAPER BUSH KIT	904042	20 x 7,5 x 227	4,1
Straight Bore Bushing			
TA4207MSBB X 70 MM STR BORE BUSH KIT	904057	20 x 7,5 x 130	4,7

### Twin Tapered Bushings

Description	Part No	Shaft Keyseat required	Weight kg
Twin Tapered Short Shaft			
TA4207MTBS x 42 mm SS Tpr Bu Kit	904054	12 x 5 x 144	7,1
TA4207MTBS x 45 mm SS Tpr Bu Kit	904053	14 x 5,5 x 144	6,9
TA4207MTBS x 50 mm SS Tpr Bu Kit	904052	14 x 5,5 x 144	6,4
TA4207MTBS x 55 mm SS Tpr Bu Kit	904051	16 x 6 x 144	5,9
TA4207MTBS x 60 mm SS Tpr Bu Kit	904050	18 x 7 x 144	5,4
TA4207MTBS x 65 mm SS Tpr Bu Kit	904049	18 x 7 x 144	4,7
Straight			
Max Bore TA4207H-M x 75 mm		20 x 7,5 x 203	

### Harsh Duty Accessories

Description	Part No	Weight kg
Filter Breather (ceramic 40 micron)	430049	0,1
TA4-TA9 Hydra-Lock Dessicant Breather Kit	964364	0,4
TA4207 Closed Aluminum Bushing cover	904114	0,6
TA4207 Open/split Aluminum Bushing cover	904115	0,6
TA4 V-ring seal kit for shaft mounted reducer	904249	0,1

### Accessories

Description	Part No	Weight kg
TA4207RA TA Rod Assembly	904109	4,8
TA4207MM IEC Motor Mount Assy	904092	52,0
TA4207CF Metric Cooling Fan Assy	904107	0,9
TA4207BS Backstop Assembly	904102	2,4
TA4207BS 40:1 Backstop Assembly	904103	2,4
TA4207BG Belt Guard - Pos, B	904096	36,2
TA4207BG Belt Guard - Pos, C	904097	37,6
TA4-TA12 Vertical Breather Kit	904112	1,4
For Screw Conveyor Drive		
TA4207SCA Adapter & Hdwr Kit	904070	15,3
TA4207 SCP Adjustable Packing Kit	904071	1,0
TA4207SCS x 2 Drive Shaft	904073	13,5
TA4207SCS x 2-7/16 Drive Shaft	904074	15,7
TA4207SCS x 3 Drive Shaft	904075	18,6
TA4207SCS x 3-7/16 Drive Shaft	904076	24,9

### Twin Tapered Bushings (inch bushings)

Description	Part No	Shaft Keyseat required	Weight kg
Twin Tapered Standard Shaft			
TA4207TB x 2-11/16	904020	5/8 x 5/16 x 8.93	4,3
TA4207TB x 2-1/2	904021	5/8 x 5/16 x 8.93	4,8
TA4207TB x 2-7/16	904022	5/8 x 5/16 x 8.93	4,9
TA4207TB x 2-3/8	904023	5/8 x 5/16 x 8.93	5,1
TA4207TB x 2-1/4	904024	1/2 x 1/4 x 8.93	5,2
TA4207TB x 2-3/16	904025	1/2 x 1/4 x 8.93	5,4
TA4207TB x 2-1/8	904026	1/2 x 1/4 x 8.93	5,5
TA4207TB x 2	904027	1/2 x 1/4 x 8.93	5,7
TA4207TB x 1-15/16	904028	1/2 x 1/4 x 8.93	5,9
TA4207TB x 1-7/8	904029	1/2 x 1/4 x 8.93	6,0
TA4207TB x 1-3/4	904030	3/8 x 3/16 x 8.93	6,0
TA4207TB x 1-11/16	904031	3/8 x 3/16 x 8.93	6,1

### Twin Tapered Bushings (inch bushings)

Description	Part No	Shaft Keyseat required	Weight kg
Twin Tapered Short Shaft			
TA4207TBS x 2-7/16	904032	5/8 x 5/16 x 5.65	5,1
TA4207TBS x 2-3/8	904033	5/8 x 5/16 x 5.65	5,4
TA4207TBS x 2-1/4	904034	1/2 x 1/4 x 5.65	5,6
TA4207TBS x 2-3/16	904035	1/2 x 1/4 x 5.65	4,9
TA4207TBS x 2-1/8	904036	1/2 x 1/4 x 5.65	6,0
TA4207TBS x 2	904037	1/2 x 1/4 x 5.65	6,3
TA4207TBS x 1-15/16	904038	1/2 x 1/4 x 5.65	6,5
TA4207TBS x 1-7/8	904039	1/2 x 1/4 x 5.65	6,6
TA4207TBS x 1-3/4	904040	3/8 x 3/16 x 5.65	6,8
TA4207TBS x 1-11/16	904041	3/8 x 3/16 x 5.65	6,9

# Metric Torque-Arm® II

## Dimensions

### Part Numbers

## TA5215H-M

### Reducer

Description	Part No	Ref. Code	Actual Ratio	Weight kg
Twin Tapered Reducer				
TA5215H05M Metric Taper Bush Red	905009	G	5,1	117,9
TA5215H09M Metric Taper Bush Red	905008	G	9,2	124,5
TA5215H15M Metric Taper Bush Red	905007	G	14,9	124,3
TA5215H25M Metric Taper Bush Red	905006	G	25,0	123,8
TA5215H40M Metric Taper Bush Red	905005	G	38,9	123,5
Straight Hub Reducer				
TA5215H05MS x 85 mm Str Bore Red	905014	G	5,1	119,3
TA5215H09MS x 85 mm Str Bore Red	905013	G	9,2	125,9
TA5215H15MS x 85 mm Str Bore Red	905012	G	14,9	125,7
TA5215H25MS x 85 mm Str Bore Red	905011	G	25,0	125,2
TA5215H40MS x 85 mm Str Bore Red	905010	G	38,9	124,9

### Twin Tapered Bushings

Description	Part No	Shaft Keyseat required	Weight kg
Twin Tapered Standard Shaft			
TA5215MTB X 50 MM TAPER BUSH KIT	905050	14 x 5,5 x 263	10,5
TA5215MTB X 55 MM TAPER BUSH KIT	905049	16 x 6 x 263	10,0
TA5215MTB X 60 MM TAPER BUSH KIT	905048	18 x 7 x 263	9,9
TA5215MTB X 65 MM TAPER BUSH KIT	905047	18 x 7 x 263	8,6
TA5215MTB X 70 MM TAPER BUSH KIT	905046	20 x 7,5 x 263	7,9
TA5215MTB X 75 MM TAPER BUSH KIT	905045	20 x 7,5 x 263	7,2
TA5215MTB X 80 MM TAPER BUSH KIT	905044	22 x 9 x 263	6,9
Straight Bore Bushing			
TA5215MSBB X 80 MM STR BORE BUSH KIT	905057	22 x 9 x 150	7,2

### Twin Tapered Bushings

Description	Part No	Shaft Keyseat required	Weight kg
Twin Tapered Short Shaft			
TA5215MTBS x 50 mm SS Tpr Bu Kit	905056	14 x 5,5 x 162	10,5
TA5215MTBS x 55 mm SS Tpr Bu Kit	905055	16 x 6 x 162	10,0
TA5215MTBS x 60 mm SS Tpr Bu Kit	905054	18 x 7 x 162	9,9
TA5215MTBS x 65 mm SS Tpr Bu Kit	905053	18 x 7 x 162	8,6
TA5215MTBS x 70 mm SS Tpr Bu Kit	905052	20 x 7,5 x 162	7,9
TA5215MTBS x 75 mm SS Tpr Bu Kit	905051	20 x 7,5 x 162	7,2
Straight			
Max Bore TA5215H-M x 85 mm		22 x 9 x 227	

### Harsh Duty Accessories

Description	Part No	Weight kg
Filter Breather (ceramic 40 micron)	430049	0,1
TA4-TA9 Hydra-Lock Dessicant Breather Kit	964364	0,4
TA5215 Closed Aluminum Bushing cover	905114	0,6
TA5215 Open/split Aluminum Bushing cover	905115	0,6
TA5 V-ring seal kit for shaft mounted reducer	905249	0,2

### Accessories

Description	Part No	Weight kg
TA5215RA TA Rod Assembly	905109	5,0
TA5215MM IEC Motor Mount Assy	905092	55,7
TA5215CF Metric Cooling Fan Assy	905107	1,4
TA5215BS Backstop Assembly	905102	3,8
TA5215BS 40:1 Backstop Assembly	905103	3,8
TA5215BG Belt Guard - Pos, B	905096	46,1
TA5215BG Belt Guard - Pos, C	905097	48,0
TA4-TA12 Vertical Breather Kit	904112	1,4
For Screw Conveyor Drive		
TA5215SCA Adapter & Hdwr Kit	905070	17,5
TA5215SCP Adjustable Packing Kit	905071	1,0
TA5215SCS x 2 Drive Shaft	905073	17,7
TA5215SCS x 2-7/16 Drive Shaft	905074	19,8
TA5215SCS x 3 Drive Shaft	905075	22,7
TA5215SCS x 3-7/16 Drive Shaft	905076	29,0

### Twin Tapered Bushings (inch bushings)

Description	Part No	Shaft Keyseat required	Weight kg
Twin Tapered Standard Shaft			
TA5215TB x 3-3/16	905020	3/4 x 3/8 x 10.34	6,2
TA5215TB x 3	905021	3/4 x 3/8 x 10.34	6,9
TA5215TB x 2-15/16	905022	3/4 x 3/8 x 10.34	7,1
TA5215TB x 2-7/8	905023	3/4 x 3/8 x 10.34	7,3
TA5215TB x 2-11/16	905024	5/8 x 5/16 x 10.34	7,6
TA5215TB x 2-1/2	905025	5/8 x 5/16 x 10.34	8,1
TA5215TB x 2-7/16	905026	5/8 x 5/16 x 10.34	8,2
TA5215TB x 2-3/8	905027	5/8 x 5/16 x 10.34	8,3
TA5215TB x 2-1/4	905028	1/2 x 1/4 x 10.34	8,6
TA5215TB x 2-3/16	905029	1/2 x 1/4 x 10.34	8,7
TA5215TB x 2-1/8	905030	1/2 x 1/4 x 10.34	8,8
TA5215TB x 2	905031	1/2 x 1/4 x 10.34	9,0
TA5215TB x 1-15/16	905032	1/2 x 1/4 x 10.34	9,1

### Twin Tapered Bushings (inch bushings)

Description	Part No	Shaft Keyseat required	Weight kg
Twin Tapered Short Shaft			
TA5215TBS x 2-15/16	905033	3/4 x 3/8 x 6.36	7,4
TA5215TBS x 2-7/8	905034	3/4 x 3/8 x 6.36	7,7
TA5215TBS x 2-11/16	905035	5/8 x 5/16 x 6.36	8,2
TA5215TBS x 2-1/2	905036	5/8 x 5/16 x 6.36	8,9
TA5215TBS x 2-7/16	905037	5/8 x 5/16 x 6.36	9,1
TA5215TBS x 2-3/8	905038	5/8 x 5/16 x 6.36	9,3
TA5215TBS x 2-1/4	905039	1/2 x 1/4 x 6.36	9,7
TA5215TBS x 2-3/16	905040	1/2 x 1/4 x 6.36	9,9
TA5215TBS x 2-1/8	905041	1/2 x 1/4 x 6.36	10,1
TA5215TBS x 2	905042	1/2 x 1/4 x 6.36	10,4
TA5215TBS x 1-15/16	905043	1/2 x 1/4 x 6.36	10,6



# Metric Torque-Arm® II

## Dimensions

### Part Numbers

## TA6307H-M

### Reducer

Description	Part No	Ref. Code	Actual Ratio	Weight kg
Twin Tapered Reducer				
TA6307H05M Metric Taper Bush Red	906009	H	4,9	142,7
TA6307H09M Metric Taper Bush Red	906008	H	9,2	150,9
TA6307H15M Metric Taper Bush Red	906007	H	15,5	150,5
TA6307H25M Metric Taper Bush Red	906006	H	24,9	149,5
TA6307H40M Metric Taper Bush Red	906005	H	38,3	149,1
Straight Hub Reducer				
TA6307H05MS x 100 mm Str Br Red	906014	H	4,9	143,6
TA6307H09MS x 100 mm Str Br Red	906013	H	9,2	151,8
TA6307H15MS x 100 mm Str Br Red	906012	H	15,5	151,4
TA6307H25MS x 100 mm Str Br Red	906011	H	24,9	150,5
TA6307H40MS x 100 mm Str Br Red	906010	H	38,3	150,0

### Twin Tapered Bushings

Description	Part No	Shaft Keyseat required	Weight kg
Twin Tapered Standard Shaft			
TA6307MTB X 60 MM TAPER BUSH KIT	906048	18 x 7 x 275	12,0
TA6307MTB X 65 MM TAPER BUSH KIT	906047	18 x 7 x 275	10,9
TA6307MTB X 70 MM TAPER BUSH KIT	906046	20 x 7,5 x 275	10,5
TA6307MTB X 75 MM TAPER BUSH KIT	906045	20 x 7,5 x 275	9,6
TA6307MTB X 80 MM TAPER BUSH KIT	906044	22 x 9 x 275	8,8
TA6307MTB X 85 MM TAPER BUSH KIT	906043	22 x 9 x 275	7,8
TA6307MTB X 90 MM TAPER BUSH KIT	906042	25 x 9 x 275	7,2
Straight Bore Bushing			
TA6307MSBB X 90 MM STR BORE BUSH KIT	906058	25 x 9 x 165	7,8
TA6307MSBB X 95 MM STR BORE BUSH KIT	906057	25 x 9 x 165	7,8

### Twin Tapered Bushings

Description	Part No	Shaft Keyseat required	Weight kg
Twin Tapered Short Shaft			
TA6307MTBS x 60 mm SS Tpr Bu Kit	906054	18 x 7 x 171	12,0
TA6307MTBS x 65 mm SS Tpr Bu Kit	906053	18 x 7 x 171	10,9
TA6307MTBS x 70 mm SS Tpr Bu Kit	906052	20 x 7,5 x 171	10,5
TA6307MTBS x 75 mm SS Tpr Bu Kit	906051	20 x 7,5 x 171	9,6
TA6307MTBS x 80 mm SS Tpr Bu Kit	906050	22 x 9 x 171	8,8
TA6307MTBS x 85 mm SS Tpr Bu Kit	906049	22 x 9 x 171	7,8
Straight			
Max Bore TA6307H-M x 100 mm		28 x 10 x 238	

### Harsh Duty Accessories

Description	Part No	Weight kg
Filter Breather (ceramic 40 micron)	430049	0,1
TA4-TA9 Hydra-Lock Dessicant Breather Kit	964364	0,4
TA6307 Closed Aluminum Bushing cover	906114	0,6
TA6307 Open/split Aluminum Bushing cover	906115	0,6
TA6 V-ring seal kit for shaft mounted reducer	906249	0,2

### Accessories

Description	Part No	Weight kg
TA6307RA TA Rod Assembly	906109	9,1
TA6307MM IEC Motor Mount Assy	906092	72,2
TA6307CF Metric Cooling Fan Assy	906107	4,5
TA6307BS Backstop Assembly	906102	5,0
TA6307BS 25 & 40:1 Backstop Assy	906103	5,0
TA6307BG Belt Guard - Pos, B	906096	55,1
TA6307BG Belt Guard - Pos, C	906097	58,8
TA4-TA12 Vertical Breather Kit	904112	1,4
For Screw Conveyor Drive		
TA6307SCA Adapter & Hdwr Kit	906070	18,2
TA6307SCP Adjustable Packing Kit	906071	1,1
TA6307SCS x 2-7/16 Drive Shaft	906074	24,8
TA6307SCS x 3 Drive Shaft	906075	27,7
TA6307SCS x 3-7/16 Drive Shaft	906076	34,0

### Twin Tapered Bushings (inch bushings)

Description	Part No	Shaft Keyseat required	Weight kg
Twin Tapered Standard Shaft			
TA6307TB x 3-7/16	906020	7/8 x 7/16 x 10.82	7,6
TA6307TB x 3-3/16	906021	3/4 x 3/8 x 10.82	8,0
TA6307TB x 3	906022	3/4 x 3/8 x 10.82	8,7
TA6307TB x 2-15/16	906023	3/4 x 3/8 x 10.82	8,9
TA6307TB x 2-7/8	906024	3/4 x 3/8 x 10.82	9,1
TA6307TB x 2-11/16	906025	5/8 x 5/16 x 10.82	9,5
TA6307TB x 2-1/2	906026	5/8 x 5/16 x 10.82	10,0
TA6307TB x 2-7/16	906027	5/8 x 5/16 x 10.82	10,1
TA6307TB x 2-3/8	906028	5/8 x 5/16 x 10.82	10,3
TA6307TB x 2-1/4	906029	1/2 x 1/4 x 10.82	10,5
TA6307TB x 2-3/16	906030	1/2 x 1/4 x 10.82	10,6

### Twin Tapered Bushings (inch bushings)

Description	Part No	Shaft Keyseat required	Weight kg
Twin Tapered Short Shaft			
TA6307TBS x 3-7/16	906031	7/8 x 7/16 x 6.72	7,5
TA6307TBS x 3-3/16	906032	3/4 x 3/8 x 6.72	8,6
TA6307TBS x 3	906033	3/4 x 3/8 x 6.72	9,5
TA6307TBS x 2-15/16	906034	3/4 x 3/8 x 6.72	9,8
TA6307TBS x 2-7/8	906035	3/4 x 3/8 x 6.72	10,1
TA6307TBS x 2-11/16	906036	5/8 x 5/16 x 6.72	10,8
TA6307TBS x 2-1/2	906037	5/8 x 5/16 x 6.72	11,5
TA6307TBS x 2-7/16	906038	5/8 x 5/16 x 6.72	11,7
TA6307TBS x 2-3/8	906039	5/8 x 5/16 x 6.72	11,9
TA6307TBS x 2-1/4	906040	1/2 x 1/4 x 6.72	12,1
TA6307TBS x 2-3/16	906041	1/2 x 1/4 x 6.72	12,5



# Metric Torque-Arm® II

## Dimensions

### Part Numbers

## TA7315H-M

### Reducer

Description	Part No	Ref. Code	Actual Ratio	Weight kg
Twin Tapered Reducer				
TA7315H05M Metric Taper Bush Red	907009	J	5,2	206,8
TA7315H09M Metric Taper Bush Red	907008	J	9,7	224,5
TA7315H15M Metric Taper Bush Red	907007	J	14,9	224,1
TA7315H25M Metric Taper Bush Red	907006	J	24,8	224,5
TA7315H40M Metric Taper Bush Red	907005	J	39,7	223,6
Straight Hub Reducer				
TA7315H05MS x 120 mm Str Bore Red	907014	J	5,2	206,8
TA7315H09MS x 120 mm Str Bore Red	907013	J	9,7	227,3
TA7315H15MS x 120 mm Str Bore Red	907012	J	14,9	226,8
TA7315H25MS x 120 mm Str Bore Red	907011	J	24,8	227,3
TA7315H40MS x 120 mm Str Bore Red	907010	J	39,7	226,4

### Twin Tapered Bushings

Description	Part No	Shaft Keyseat required	Weight kg
Twin Tapered Standard Shaft			
TA7315MTB X 65 MM TAPER BUSH KIT	907048	18 x 7 x 302	19,5
TA7315MTB X 70 MM TAPER BUSH KIT	907047	20 x 7,5 x 302	18,7
TA7315MTB X 75 MM TAPER BUSH KIT	907046	20 x 7,5 x 302	17,7
TA7315MTB X 80 MM TAPER BUSH KIT	907045	22 x 9 x 302	16,8
TA7315MTB X 85 MM TAPER BUSH KIT	907044	22 x 9 x 302	15,7
TA7315MTB X 90 MM TAPER BUSH KIT	907043	25 x 9 x 302	14,8
TA7315MTB X 95 MM TAPER BUSH KIT	907042	25 x 9 x 302	13,5
TA7315MTB X 100 MM TPR BUSH KIT	907041	28 x 10 x 302	12,3
TA7315MTB X 110 MM TPR BUSH KIT	907040	28 x 10 x 302	11,3
Straight Bore Bushing			
TA7315MSBB X 110 MM STR BORE BUSH KIT	907057	28 x 10 x 185	12,5

### Twin Tapered Bushings

Description	Part No	Shaft Keyseat required	Weight kg
Twin Tapered Short Shaft			
TA7315MTBS x 65 mm SS Tpr Bu Kit	907056	18 x 7 x 194	19,5
TA7315MTBS x 70 mm SS Tpr Bu Kit	907055	20 x 7,5 x 194	18,7
TA7315MTBS x 75 mm SS Tpr Bu Kit	907054	20 x 7,5 x 194	17,7
TA7315MTBS x 80 mm SS Tpr Bu Kit	907053	22 x 9 x 194	16,8
TA7315MTBS x 85 mm SS Tpr Bu Kit	907052	22 x 9 x 194	15,7
TA7315MTBS x 90 mm SS Tpr Bu Kit	907051	25 x 9 x 194	14,8
TA7315MTBS x 95 mm SS Tpr Bu Kit	907050	25 x 9 x 194	13,5
TA7315MTBS x 100 mm SS Tpr Bu Kit	907049	28 x 10 x 194	12,3
Straight Hub Reducer			
Max Bore TA7315H-M x 120 mm		32 x 11 x 269	

### Harsh Duty Accessories

Description	Part No	Weight kg
Filter Breather (ceramic 40 micron)	430049	0,1
TA4-TA9 Hydra-Lock Dessicant Breather Kit	964364	0,4
TA7315 Closed Aluminum Bushing cover	907114	0,6
TA7315 Open/split Aluminum Bushing cover	907115	0,6
TA7 V-ring seal kit for shaft mounted reducer	907249	0,2

### Accessories

Description	Part No	Weight kg
TA7315/8407RA TA Rod Assembly	907109	19,6
TA7315/8407MM IEC Motor Mt Assy	907092	83,8
TA7315/8407CF Metric Fan Assy	907107	4,5
TA7315BS Backstop Assembly	907102	9,1
TA7315/9415BS 40:1 Backstop Assy	907103	9,5
TA7315/8407BG Belt Guard - Pos, B	907096	66,9
TA7315/8407BG Belt Guard - Pos, C	907097	69,4
TA4-TA12 Vertical Breather Kit	904112	1,4
For Screw Conveyor Drive		
TA7315SCA Adapter & Hdwr Kit	907070	22,8
TA7315SCP Adjustable Packing Kit	907071	1,1
TA7315SCS x 2-7/16 Drive Shaft	907074	35,0
TA7315SCS x 3 Drive Shaft	907075	37,9
TA7315SCS x 3-7/16 Drive Shaft	907076	44,2
TA7315SCS x 3-15/16 Drive Shaft	907077	52,6

### Twin Tapered Bushings (inch bushings)

Description	Part No	Shaft Keyseat required	Weight kg
Twin Tapered Standard Shaft			
TA7315TB x 4-7/16	907019	1 x 1/2 x 11.87	9,3
TA7315TB x 4-3/16	907021	1 x 1/2 x 11.87	10,7
TA7315TB x 3-15/16	907022	1 x 1/2 x 11.87	11,9
TA7315TB x 3-7/16	907023	7/8 x 7/16 x 11.87	14,0
TA7315TB x 3-3/16	907024	3/4 x 3/8 x 11.87	14,8
TA7315TB x 3	907025	3/4 x 3/8 x 11.87	15,4
TA7315TB x 2-15/16	907026	3/4 x 3/8 x 11.87	15,7
TA7315TB x 2-7/8	907027	3/4 x 3/8 x 11.87	15,9
TA7315TB x 2-11/16	907028	5/8 x 5/16 x 11.87	16,2
TA7315TB x 2-1/2	907029	5/8 x 5/16 x 11.87	16,9
TA7315TB x 2-7/16	907030	5/8 x 5/16 x 11.87	17,0

### Twin Tapered Bushings (inch bushings)

Description	Part No	Shaft Keyseat required	Weight kg
Twin Tapered Short Shaft			
TA7315TBS x 3-15/16	907031	1 x 1/2 x 7.62	12,1
TA7315TBS x 3-7/16	907032	7/8 x 7/16 x 7.62	15,5
TA7315TBS x 3-3/16	907033	3/4 x 3/8 x 7.62	16,7
TA7315TBS x 3	907034	3/4 x 3/8 x 7.62	17,6
TA7315TBS x 2-15/16	907035	3/4 x 3/8 x 7.62	18,0
TA7315TBS x 2-7/8	907036	3/4 x 3/8 x 7.62	18,2
TA7315TBS x 2-11/16	907037	5/8 x 5/16 x 7.62	18,9
TA7315TBS x 2-1/2	907038	5/8 x 5/16 x 7.62	19,8
TA7315TBS x 2-7/16	907039	5/8 x 5/16 x 7.62	20,2

# Metric Torque-Arm® II

## Dimensions

### Part Numbers

## TA8407H-M

### Reducer

Description	Part No	Ref. Code	Actual Ratio	Weight kg
Twin Tapered Reducer				
TA8407H15M Metric Taper Bush Red	908007	S	15,1	231,8
TA8407H25M Metric Taper Bush Red	908006	S	25,0	231,8
TA8407H40M Metric Taper Bush Red	908005	S	39,7	230,0
Straight Hub Reducer				
TA8407H15MS x 120 mm Str Bore Red	908012	S	15,1	239,1
TA8407H25MS x 120 mm Str Bore Red	908011	S	25,0	239,1
TA8407H40MS x 120 mm Str Bore Red	908010	S	39,7	235,9

### Twin Tapered Bushings

Description	Part No	Shaft Keyseat required	Weight kg
Twin Tapered Standard Shaft			
TA8407MTB X 75 MM TAPER BUSH KIT	908041	22 x 7,5 x 326	21,6
TA8407MTB X 80 MM TAPER BUSH KIT	908040	22 x 9 x 326	20,7
TA8407MTB X 85 MM TAPER BUSH KIT	908039	22 x 9 x 326	19,5
TA8407MTB X 90 MM TAPER BUSH KIT	908038	25 x 9 x 326	18,4
TA8407MTB X 95 MM TAPER BUSH KIT	908037	25 x 9 x 326	17,1
TA8407MTB X 100 MM TAPER BU KIT	908036	28 x 10 x 326	16,0
TA8407MTB X 110 MM TAPER BU KIT	908035	28 x 10 x 326	12,9
TA8407MTB X 120 MM TAPER BU KIT	908034	32 x 11 x 326	12,1

### Twin Tapered Bushings

Description	Part No	Shaft Keyseat required	Weight kg
Twin Tapered Short Shaft			
TA8407MTBS x 75 mm SS Tpr Bu Kit	908048	22 x 7,5 x 206	21,6
TA8407MTBS x 80 mm SS Tpr Bu Kit	908047	22 x 9 x 206	20,7
TA8407MTBS x 85 mm SS Tpr Bu Kit	908046	22 x 9 x 206	19,5
TA8407MTBS x 90 mm SS Tpr Bu Kit	908045	25 x 9 x 206	18,4
TA8407MTBS x 95 mm SS Tpr Bu Kit	908044	25 x 9 x 206	17,1
TA8407MTBS x 100 mm SS Tpr Bu Kit	908043	28 x 10 x 206	16,0
TA8407MTBS x 110 mm SS Tpr Bu Kit	908042	28 x 10 x 206	12,9
Straight			
Max Bore TA8407H-M x 120 mm		32 x 11 x 293	

### Harsh Duty Accessories

Description	Part No	Weight kg
Filter Breather (ceramic 40 micron)	430049	0,1
TA4-TA9 Hydra-Lock Dessicant Breather Kit	964364	0,4
TA8407 Closed Aluminum Bushing cover	908114	1,1
TA8407 Open/split Aluminum Bushing cover	908115	1,1
TA8 V-ring seal kit for shaft mounted reducer	908249	0,2

### Accessories

Description	Part No	Weight kg
TA7315/8407RA TA Rod Assembly	907109	19,6
TA7315/8407MM IEC Motor Mt Assy	907092	83,8
TA7315/8407CF Metric Fan Assy	907107	4,5
TA8407BS Backstop Assembly	908102	6,8
TA8407BS 40:1 Backstop Assembly	908103	7,1
TA7315/8407BG Belt Guard - Pos, B	907096	66,9
TA7315/8407BG Belt Guard - Pos, C	907097	69,4
TA4-TA12 Vertical Breather Kit	904112	1,4

### Twin Tapered Bushings (inch bushings)

Description	Part No	Shaft Keyseat required	Weight kg
Twin Tapered Standard Shaft			
TA8407TB x 4-7/16	908020	1 x 1/2 x 12.82	11,8
TA8407TB x 4-3/16	908021	1 x 1/2 x 12.82	13,2
TA8407TB x 3-15/16	908022	1 x 1/2 x 12.82	14,6
TA8407TB x 3-7/16	908023	7/8 x 7/16 x 12.82	16,7
TA8407TB x 3-3/16	908024	3/4 x 3/8 x 12.82	17,4
TA8407TB x 3	908025	3/4 x 3/8 x 12.82	18,1
TA8407TB x 2-15/16	908026	3/4 x 3/8 x 12.82	18,3

### Twin Tapered Bushings (inch bushings)

Description	Part No	Shaft Keyseat required	Weight kg
Twin Tapered Short Shaft			
TA8407TBS x 4-7/16	908027	1 x 1/2 x 8.10	12,2
TA8407TBS x 4-3/16	908028	1 x 1/2 x 8.10	14,2
TA8407TBS x 3-15/16	908029	1 x 1/2 x 8.10	16,2
TA8407TBS x 3-7/16	908030	7/8 x 7/16 x 8.10	19,2
TA8407TBS x 3-3/16	908031	3/4 x 3/8 x 8.10	20,6
TA8407TBS x 3	908032	3/4 x 3/8 x 8.10	21,6
TA8407TBS x 2-15/16	908033	3/4 x 3/8 x 8.10	21,9

# Metric Torque-Arm® II

## Dimensions

### Part Numbers

## TA9415H-M

### Reducer

Description	Part No	Ref. Code	Actual Ratio	Weight kg
Twin Tapered Reducer				
TA9415H15M Metric Taper Bush Red	909007	K	15,1	333,6
TA9415H25M Metric Taper Bush Red	909006	K	25,4	333,6
TA9415H40M Metric Taper Bush Red	909005	K	39,4	332,3
Straight Hub Reducer				
TA9415H15MS x 125 mm Str Br Red	909012	K	15,1	343,6
TA9415H25MS x 125 mm Str Br Red	909011	K	25,4	343,6
TA9415H40MS x 125 mm Str Br Red	909010	K	39,4	342,3

### Twin Tapered Bushings

Description	Part No	Shaft Keyseat required	Weight kg
Twin Tapered Standard Shaft			
TA9415MTB X 90 MM TAPER BUSH KIT	909036	25 x 9 x 349	28,4
TA9415MTB X 95 MM TAPER BUSH KIT	909035	25 x 9 x 349	27,1
TA9415MTB X 100 MM TPR BUSH KIT	909034	28 x 10 x 349	26,0
TA9415MTB X 110 MM TPR BUSH KIT	909033	28 x 10 x 349	22,8
TA9415MTB X 120 MM TPR BUSH KIT	909032	32 x 11 x 349	19,6
TA9415MTB X 125 MM TPR BUSH KIT	909031	32 x 11 x 349	17,8
TA9415MTB X 130 MM TPR BUSH KIT	909030	32 x 11 x 349	17,8

### Twin Tapered Bushings

Description	Part No	Shaft Keyseat required	Weight kg
Twin Tapered Short Shaft			
TA9415MTBS x 90 mm Tpr Bush Kit	909042	25 x 9 x 217	28,4
TA9415MTBS x 95 mm Tpr Bush Kit	909041	25 x 9 x 217	27,1
TA9415MTBS x 100 mm Tpr Bush Kit	909040	28 x 10 x 217	26,0
TA9415MTBS x 110 mm Tpr Bush Kit	909039	28 x 10 x 217	22,8
TA9415MTBS x 120 mm Tpr Bush Kit	909038	32 x 11 x 217	19,6
TA9415MTBS x 125 mm Tpr Bush Kit	909037	32 x 11 x 217	17,8
Straight			
Max Bore TA9415H-M x 125 mm		32 x 11 x 310	

### Harsh Duty Accessories

Description	Part No	Weight kg
Filter Breather (ceramic 40 micron)	430049	0,1
TA4-TA9 Hydra-Lock Dessicant Breather Kit	964364	0,4
TA9415 Closed Aluminum Bushing cover	909114	1,8
TA9415 Open/split Aluminum Bushing cover	909115	1,8
TA9 V-ring seal kit for shaft mounted reducer	909249	0,2

### Accessories

Description	Part No	Weight kg
TA9415RA TA Rod Assembly	909109	34,9
TA9415MM IEC Motor Mount Assy	909092	125,4
TA9415CF Metric Cooling Fan Assy	909107	5,6
TA9415BS Backstop Assembly	909102	9,1
TA7315/9415BS 40:1 Backstop Assy	907103	9,5
TA9415BG Belt Guard - Pos, B	909096	71,9
TA4-TA12 Vertical Breather Kit	904112	1,4

### Twin Tapered Bushings (inch bushings)

Description	Part No	Shaft Keyseat required	Weight kg
Twin Tapered Standard Shaft			
TA9415TB x 4-15/16	909020	1-1/4 x 5/8 x 13.74	17,4
TA9415TB x 4-7/16	909021	1 x 1/2 x 13.74	19,7
TA9415TB x 4-3/16	909022	1 x 1/2 x 13.74	21,1
TA9415TB x 3-15/16	909023	1 x 1/2 x 13.74	22,3

### Twin Tapered Bushings (inch bushings)

Description	Part No	Shaft Keyseat required	Weight kg
Twin Tapered Short Shaft			
TA9415TBS x 4-15/16	909025	1-1/4 x 5/8 x 8.56	18,2
TA9415TBS x 4-7/16	909026	1 x 1/2 x 8.56	22,1
TA9415TBS x 4-3/16	909027	1 x 1/2 x 8.56	24,2
TA9415TBS x 3-15/16	909028	1 x 1/2 x 8.56	26,2

# Metric Torque-Arm® II

## Dimensions

### Part Numbers

## TA10507H-M

### Reducer

Description	Part No	Ref. Code	Actual Ratio	Weight kg
Twin Tapered Reducer				
TA10507H15M Metric Tpr Bush Red	910007	L	15,1	464,1
TA10507H25M Metric Tpr Bush Red	910006	L	25,2	464,1
TA10507H40M Metric Tpr Bush Red	910005	L	39,7	462,3
Straight Hub Reducer				
TA10507H15MS x 150 mm Str Br Red	910012	L	15,1	472,7
TA10507H25MS x 150 mm Str Br Red	910011	L	25,2	472,7
TA10507H40MS x 150 mm Str Br Red	910010	L	39,7	470,9

### Twin Tapered Bushings

Description	Part No	Shaft Keyseat required	Weight kg
Twin Tapered Standard Shaft			
TA10507MTB X 100 MM TPR BUSH KIT	910037	28 x 10 x 393	38,3
TA10507MTB X 110 MM TPR BUSH KIT	910036	28 x 10 x 393	35,0
TA10507MTB X 120 MM TPR BUSH KIT	910035	32 x 11 x 393	31,6
TA10507MTB X 125 MM TPR BUSH KIT	910034	32 x 11 x 393	29,9
TA10507MTB X 130 MM TPR BUSH KIT	910033	32 x 11 x 393	27,7
TA10507MTB X 150 MM TPR BUSH KIT	910032	36 x 12 x 393	26,7

### Twin Tapered Bushings

Description	Part No	Shaft Keyseat required	Weight kg
Twin Tapered Short Shaft			
TA10507MTBS x 100 mm Tpr Bush Kit	910042	28 x 10 x 246	38,3
TA10507MTBS x 110 mm Tpr Bush Kit	910041	28 x 10 x 246	35,0
TA10507MTBS x 120 mm Tpr Bush Kit	910040	32 x 11 x 246	31,6
TA10507MTBS x 125 mm Tpr Bush Kit	910039	32 x 11 x 246	29,9
TA10507MTBS x 130 mm Tpr Bush Kit	910038	32 x 11 x 246	27,7
Straight			
Max Bore TA10507H-M x 150 mm		36 x 12 x 353	

### Harsh Duty Accessories

Description	Part No	Weight kg
Filter Breather (ceramic 40 micron)	430049	0,1
TA10-TA12 Hydra-Lock Dessicant Breather Kit	964366	0,5
TA10507 Closed Aluminum Bushing cover	910114	2,0
TA10507 Open/split Aluminum Bushing cover	910115	2,0
TA10 V-ring seal kit for shaft mounted reducer	910249	0,3

### Accessories

Description	Part No	Weight kg
TA10507RA TA Rod Assembly	910109	39,5
TA10507MM IEC Motor Mount Assy	910092	131,3
TA10507CF Metric Cool Fan Assy	910107	5,6
TA10507BS Backstop Assembly	910102	10,7
TA10507BS 40:1 Backstop Assy	910103	11,4
TA10507BG Belt Guard - Pos, B	910096	71,9
TA4-TA12 Vertical Breather Kit	904112	1,4
TA4-TA12 Vertical Breather Kit	904112	1,4

### Twin Tapered Bushings (inch bushings)

Description	Part No	Shaft Keyseat required	Weight kg
Twin Tapered Standard Shaft			
TA10507TB x 6	910020	1-1/2 x 3/4 x 15.46	18,5
TA10507TB x 5-15/16	910021	1-1/2 x 3/4 x 15.46	19,6
TA10507TB x 5-7/16	910022	1-1/4 x 5/8 x 15.46	22,7
TA10507TB x 4-15/16	910023	1-1/4 x 5/8 x 15.46	26,2
TA10507TB x 4-7/16	910024	1 x 1/2 x 15.46	24,0
TA10507TB x 4-3/16	910025	1 x 1/2 x 15.46	29,8
TA10507TB x 3-15/16	910026	1 x 1/2 x 15.46	31,0

### Twin Tapered Bushings (inch bushings)

Description	Part No	Shaft Keyseat required	Weight kg
Twin Tapered Short Shaft			
TA10507TBS x 5-7/16	910027	1-1/4 x 5/8 x 9.67	21,4
TA10507TBS x 4-15/16	910028	1-1/4 x 5/8 x 9.67	30,4
TA10507TBS x 4-7/16	910029	1 x 1/2 x 9.67	34,3
TA10507TBS x 4-3/16	910030	1 x 1/2 x 9.67	36,5
TA10507TBS x 3-15/16	910031	1 x 1/2 x 9.67	38,7

# Metric Torque-Arm® II

## Dimensions

### Part Numbers

## TA12608H-M

### Reducer

Description	Part No	Ref. Code	Actual Ratio	Weight kg
Twin Tapered Reducer				
TA12608H15M Metric Tpr Bush Red	912007	M	14,8	632,3
TA12608H25M Metric Tpr Bush Red	912006	M	25,0	633,6
TA12608H40M Metric Tpr Bush Red	912005	M	38,2	632,7
Straight Hub Reducer				
TA12608H15MS x 190 mm Str Br Red	912012	M	14,8	630,5
TA12608H25MS x 190 mm Str Br Red	912011	M	25,0	631,8
TA12608H40MS x 190 mm Str Br Red	912010	M	38,2	630,9

### Twin Tapered Bushings

Description	Part No	Shaft Keyseat required	Weight kg
Twin Tapered Standard Shaft			
TA12608MTB X 125 MM TPR BUSH KIT	912036	32 x 11 x 466	53,4
TA12608MTB X 130 MM TPR BUSH KIT	912035	32 x 11 x 466	51,0
TA12608MTB X 150 MM TPR BUSH KIT	912034	36 x 12 x 466	41,1
TA12608MTB X 160 MM TPR BUSH KIT	912033	40 x 13 x 466	35,5

### Twin Tapered Bushings

Description	Part No	Shaft Keyseat required	Weight kg
Twin Tapered Short Shaft			
TA12608MTBS x 125 mm SS Bush Kit	912040	32 x 11 x 295	53,4
TA12608MTBS x 130 mm SS Bush Kit	912039	32 x 11 x 295	51,0
TA12608MTBS x 150 mm SS Bush Kit	912038	36 x 12 x 295	41,1
TA12608MTBS x 160 mm Tpr Bush Kit	912037	40 x 13 x 295	35,5
Straight			
Max Bore TA12608H-M x 190 mm		45 x 15 x 424	

### Harsh Duty Accessories

Description	Part No	Weight kg
Filter Breather (ceramic 40 micron)	430049	0,1
TA10-TA12 Hydra-Lock Dessicant Breather Kit	964366	0,5
TA12608 Closed Aluminum Bushing cover	912114	2,0
TA12608 Open/split Aluminum Bushing cover	912115	2,0
TA12 V-ring seal kit for shaft mounted reducer	912249	0,3

### Accessories

Description	Part No	Weight kg
TA12608RA TA Rod Assembly	912109	48,4
TA12608MM IEC Motor Mount Assy	912092	131,7
TA12608CF Metric Cool Fan Assy	912107	6,2
TA12608BS Backstop Assembly	912102	18,2
TA12608BS 40:1 Backstop Assy	912103	18,7
TA12608BG Belt Guard - Pos, B	912096	86,6
TA4-TA12 Vertical Breather Kit	904112	1,4

### Twin Tapered Bushings (inch bushings)

Description	Part No	Shaft Keyseat required	Weight kg
Twin Tapered Standard Shaft			
TA12608TB x 7	912020	1-3/4 x 3/4 x 18.32	26,4
TA12608TB x 6-1/2	912021	1-1/2 x 3/4 x 18.32	30,8
TA12608TB x 6-7/16	912022	1-1/2 x 3/4 x 18.32	31,4
TA12608TB x 6	912023	1-1/2 x 3/4 x 18.32	35,4
TA12608TB x 5-15/16	912024	1-1/2 x 3/4 x 18.32	36,0
TA12608TB x 5-7/16	912025	1-1/4 x 5/8 x 18.32	39,3

### Twin Tapered Bushings (inch bushings)

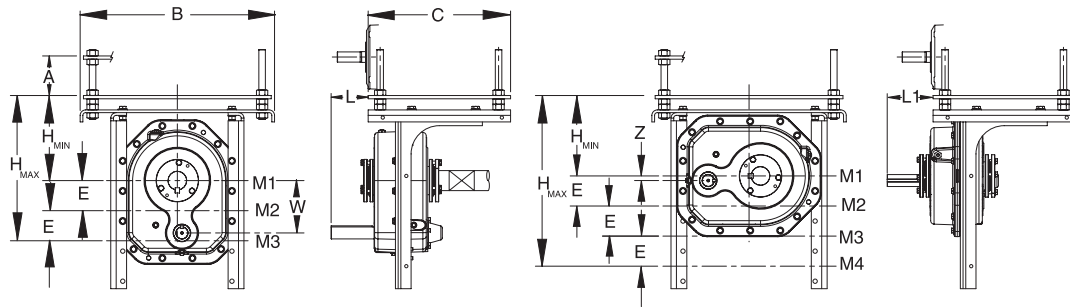
Description	Part No	Shaft Keyseat required	Weight kg
Twin Tapered Short Shaft			
TA12608TBS x 6-1/2	912027	1-1/2 x 3/4 x 11.60	33,3
TA12608TBS x 6-7/16	912028	1-1/2 x 3/4 x 11.60	34,3
TA12608TBS x 6	912029	1-1/2 x 3/4 x 11.60	41,1
TA12608TBS x 5-15/16	912030	1-1/2 x 3/4 x 11.60	42,0
TA12608TBS x 5-7/16	912031	1-1/4 x 5/8 x 11.60	48,1



# Metric Torque-Arm® II

## Dimensions

### Motor Mount - Drawings



### Motor Mount Dimensions (mm)

Size	Weight kg	A	B	C	D	D1	E	H		H1		L		L1		W	Z
								Min	Max	Min	Max	Min	Max	Min	Max		
TA0107L	16,1	109	416	267	259	309	60	249	369	236	417	53	140	77	164	87	23
TA1107H	17,9	122	457	349	294	349	66	183	315	183	381	52	139	76	163	114,0	0,0
TA2115H	24	107	508	349	343	405	78	230	385	227	460	59	146	86	173	138	0,0
TA3203H	39,6	116	568	416	390	457	88	249	424	235	498	55	187	78	213	153	13
TA4207H	52	115	660	464	453	542	105	279	489	280	594	83	196	110	223	186	26
TA5215H	55,7	114	672	470	517	627	130	321	580	299	688	119	232	147	259	216	42
TA6307H	72,2	115	711	533	562	681	132	337	601	337	733	115	224	144	253	233	45
TA7315H	83,8	115	856	533	638	827	152	376	681	406	863	121	231	153	263	229	131
TA8407H	83,8	115	856	533	638	827	152	376	681	406	863	147	257	179	289	235	129
TA9415H	125,4	109	782	610	737	-	127	437	564	N/A	N/A	159	277	N/A	N/A	285	120
TA10507H	131,3	109	851	610	806	-	136	510	646	N/A	N/A	177	295	N/A	N/A	505	0
TA12608H	131,7	109	871	610	826	-	142	521	663	N/A	N/A	204	347	N/A	N/A	550	0

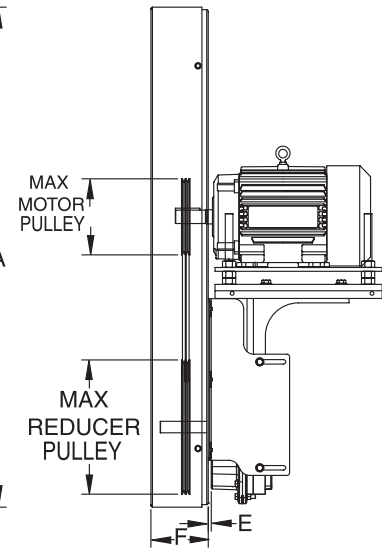
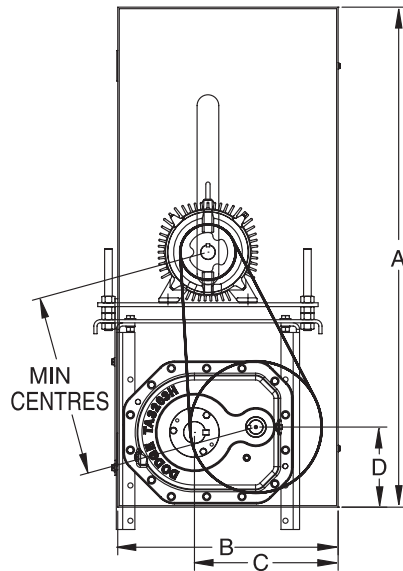
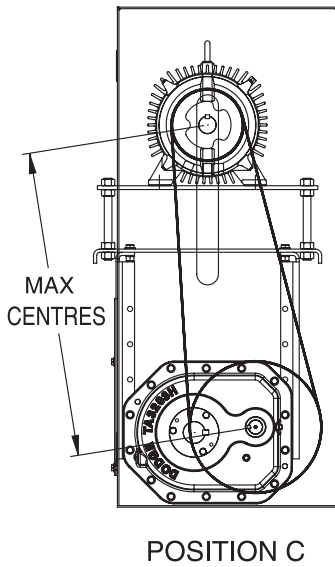
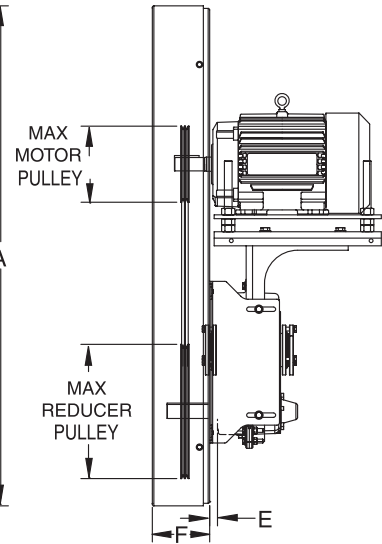
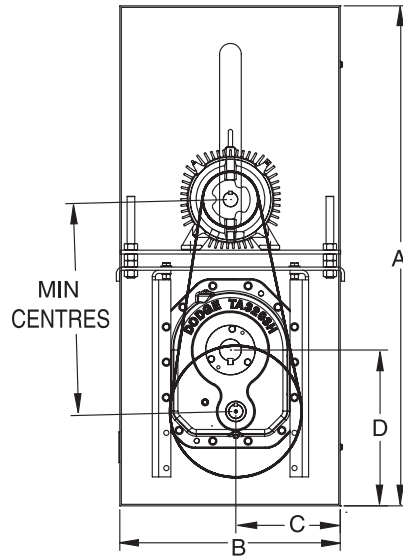
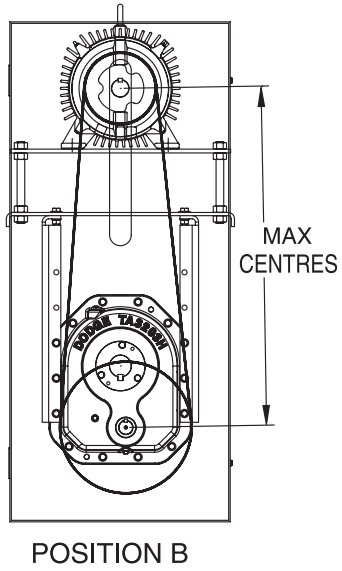
Size	Motor Frames Accomodated
TA0107L	63, 71, 80, 90S, 90L, 100L, 112M, 132S, 132M
TA1107H	63, 71, 80, 90S, 90L, 100L, 112M, 132S, 132M, 160M
TA2115H	80, 90S, 90L, 100L, 112M, 132S, 132M, 160M, 160L
TA3203H	80, 90S, 90L, 100L, 112M, 132S, 132M, 160M, 160L, 180M, 180L
TA4207H	80, 90S, 90L, 100L, 112M, 132S, 132M, 160M, 160L, 180M, 180L, 200L
TA5215H	100L, 112M, 132S, 132M, 160M, 160L, 180M, 180L, 200L, 225S, 225M
TA6307H	112M, 132S, 132M, 160M, 160L, 180M, 180L, 200L, 225S, 225M, 250M
TA7315H	132S, 132M, 160M, 160L, 180M, 180L, 200L, 225S, 225M, 250M
TA8407H	132S, 132M, 160M, 160L, 180M, 180L, 200L, 225S, 225M, 250M
TA9415H	160M, 160L, 180M, 180L, 200L, 225S, 225M, 250M, 280S, 280M
TA10507H	160M, 160L, 180M, 180L, 200L, 225S, 225M, 250M, 280S, 280M
TA12608H	160M, 160L, 180M, 180L, 200L, 225S, 225M, 250M, 280S, 280M



# Metric Torque-Arm® II

## Dimensions

### Belt Guards - Drawings



# Metric Torque-Arm® II

## Dimensions

### Metric Belt Guard Dimensions (mm)

Case Size	Mounting Position	Centres		Max Pulley Dia		A	B	C	D	E		F
		Min	Max	Motor	Reducer					Min	Max	
TA0107L	B	423	682	279	315	1054	406	203	298	1	42	107
	C	365	647	289	312	1054	406	265	186	1	42	107
TA1107H	B	406	711	274	325	1054	406	203	298	0	40	107
	C	406	668	239	239	1054	406	293	140	0	41	107
TA2115H	B	452	790	218	325	1105	489	244	323	5	41	107
	C	427	734	236	312	1105	489	332	178	5	40	107
TA3203H	B	480	871	234	427	1245	549	274	388	1	65	143
	C	381	787	401	356	1245	549	359	186	2	68	143
TA4207H	B	554	973	262	428	1359	625	312	421	0	63	143
	C	570	902	419	403	1359	625	409	211	3	69	143
TA5215H	B	652	1120	299	453	1537	701	351	464	0	62	162
	C	650	1006	471	430	1537	701	453	244	2	67	162
TA6307H	B	675	1182	325	504	1638	739	359	506	0	90	174
	C	681	1040	533	507	1638	739	456	272	0	91	174
TA7315H	B	750	1285	305	635	1816	777	470	594	0	113	187
	C	725	1108	559	635	1816	777	569	260	0	81	187
TA8407H	B	755	1290	305	641	1816	777	342	359	0	105	187
	C	729	1112	559	625	1816	777	569	260	0	73	187
TA9415H	B	889	1249	391	712	1842	803	497	666	0	89	213
TA10507H	B	1174	1545	589	782	2273	828	414	918	0	90	225
TA12608H	B	1230	1607	462	782	2273	828	414	963	0	90	225

# Metric Torque-Arm® II

## Dimensions

### Minimum Reducer Shaft V-Belt Pulley Diameters (mm)

Output RPM	TA0107L	TA1107H	TA2115H	TA3203H	TA4207H	TA5215H	TA6307H	TA7315H	TA8407H	TA9415H	TA10507H	TA12608H
31:1 to 40:1												
10	102	127	93	117	126	173	161	157	157	203	216	436
20	102	121	92	111	120	165	159	157	157	203	216	436
30	102	117	92	105	115	160	159	157	157	203	216	436
40	102	114	80	102	110	156	157	157	157	203	216	435
50	102	111	78	102	107	153	157	157	157	203	216	436
25:1												
10	102	162	85	117	141	155	160	157	157	203	216	241
20	102	148	84	112	134	148	159	157	157	203	216	241
30	102	144	79	110	128	144	159	157	157	203	216	241
40	102	140	79	107	123	140	157	157	157	203	216	241
50	102	137	78	106	119	138	157	157	157	203	216	242
60	102	135	78	104	116	136	157	157	157	203	216	246
70	102	133	77	103	113	134	158	157	157	203	227	272
80	102	131	78	102	111	132	159	157	157	203	240	272
15:1												
10	102	141	85	118	206	180	162	157	157	260	276	348
20	102	134	80	113	196	172	159	157	157	271	274	368
30	102	130	80	109	187	167	159	157	157	275	267	381
40	102	126	79	108	180	163	157	157	157	275	274	390
50	102	124	81	107	174	160	158	157	157	275	288	398
60	102	121	87	105	170	157	157	157	170	273	304	404
70	102	119	90	104	166	155	158	157	181	271	321	410
80	102	118	92	102	163	153	159	157	192	268	339	397
90	102	116	95	102	160	145	160	157	201	262	344	386
100	102	115	93	102	157	138	164	157	208	257	344	384
110	102	114	95	102	153	132	167	157	216	254	344	384
120	102	112	94	102	147	127	171	157	222	258	344	384
09:1												
80	134	195	152	129	257	231	243	200				
90	133	192	157	133	251	225	253	207				
100	131	188	158	137	245	220	261	212				
110	130	184	156	138	240	216	267	216				
120	128	181	154	141	236	211	274	216				
130	127	178	153	144	232	201	275	217				
140	124	176	153	144	228	193	277	218				
150	121	169	158	145	223	183	277	217				
160	119	165	158	145	217	174	275	217				
170	117	162	159	145	212	166	273	215				
180	115	158	161	140	206	160	266	211				
190	113	155	162	141	202	153	260	207				
200	111	153	164	141	197	147	254	204				

# Metric Torque-Arm® II

## Dimensions

### Minimum Reducer Shaft V-Belt Pulley Diameters (mm)

Output RPM	TA0107L	TA1107H	TA2115H	TA3203H	TA4207H	TA5215H	TA6307H	TA7315H	TA8407H	TA9415H	TA10507H	TA12608H
05:1												
90	235	317	165	278	252	352	383	377				
100	226	305	165	232	245	334	385	358				
110	218	294	165	210	241	316	377	339				
120	211	285	169	195	237	301	368	327				
130	205	276	164	188	235	290	366	318				
140	199	267	162	183	233	285	365	312				
150	194	259	161	178	231	283	364	307				
160	190	253	160	178	229	275	358	303				
170	185	247	159	178	229	267	356	300				
180	182	242	159	178	230	263	354	298				
190	178	236	154	178	231	257	352	297				
200	175	231	154	178	233	251	352	297				
210	171	226	149	178	236	246	341	293				
220	167	221	149	178	239	240	330	288				
230	163	217	145	178	243	235	323	285				
240	160	212	146	178	249	231	317	283				
250	156	208	142	178	244	228	311	281				
260	153	205	143	178	239	221	307	279				
270	150	201	140	178	235	218	305	278				
280	147	198	136	178	231	215	303	277				
290	145	195	133	178	227	210	301	276				
300	142	192	134	178	224	207	300	276				
310	140	188	131	178	220	205	296	276				
320	137	186	128	178	217	203	294	275				
330	135	183	125	178	214	202	292	275				
340	132	181	123	178	210	198	290	275				
350	130	178	124	178	207	196	284	268				
360	127	176	121	178	205	195	282	262				
370	127	174	118	178	202	194	277	255				
380	127	172	116	178	199	191	272	249				
390	127	170	113	178	196	190	267	244				
400	127	167	111	178	192	190	263	240				

# Metric Torque-Arm® II

## Dimensions

### Nominal Pulley Ratios required for 5:1, 9:1, 15:1, 25:1, 31:1, 32:1, 33:1 & 40:1

Reducer Output RPM	Nominal Reducer Ratio5:1		Reducer Output RPM	Nominal Reducer Ratio9:1		Reducer Output RPM	Nominal Reducer Ratio15:1		Reducer Output RPM	Nominal Reducer Ratio25:1		Reducer Output RPM	Nominal Reducer Ratio33:1, 32:1, 33:1	
	Motor Speed			Motor Speed			Motor Speed			Motor Speed			Motor Speed	
	1750	1450		1750	1450		1750	1450		1750	1450		1750	1450
400	1,14	1,38	200	1,03	1,24	120	1,03	1,24	80	1,14	1,38	50	1,09	1,10
395	1,13	1,36	198	1,02	1,23	118	1,01	1,22	78	1,11	1,34	48	1,14	1,06
390	1,11	1,34	196	1,01	1,22	116	1,01	1,20	76	1,09	1,31	46	1,19	1,02
385	1,10	1,33	194	1,00	1,20	114	1,02	1,18	74	1,06	1,28	44	1,24	1,03
380	1,09	1,31	192	1,01	1,19	112	1,04	1,16	72	1,03	1,24	42	1,30	1,08
375	1,07	1,29	190	1,02	1,18	110	1,06	1,14	70	1,00	1,21	40	1,37	1,13
370	1,06	1,28	188	1,03	1,17	108	1,08	1,12	68	1,03	1,17	38	1,44	1,19
365	1,04	1,26	186	1,05	1,15	106	1,10	1,10	66	1,06	1,14	36	1,52	1,26
360	1,03	1,24	184	1,06	1,14	104	1,12	1,08	64	1,09	1,10	34	1,61	1,33
355	1,01	1,22	182	1,07	1,13	102	1,14	1,06	62	1,13	1,07	32	1,71	1,42
350	1,00	1,21	180	1,08	1,12	100	1,17	1,03	60	1,17	1,03	30	1,82	1,51
345	1,01	1,19	178	1,09	1,10	98	1,19	1,01	58	1,21	1,00	28	1,95	1,62
340	1,03	1,17	176	1,10	1,09	96	1,22	1,01	56	1,25	1,04	26	2,10	1,74
335	1,04	1,16	174	1,12	1,08	94	1,24	1,03	54	1,30	1,07	24	2,28	1,89
330	1,06	1,14	172	1,13	1,07	92	1,27	1,05	52	1,35	1,12	22	2,49	2,06
325	1,08	1,12	170	1,14	1,06	90	1,30	1,07	50	1,40	1,16	20	2,73	2,27
320	1,09	1,10	168	1,16	1,04	88	1,33	1,10	48	1,46	1,21	18	3,04	2,52
315	1,11	1,09	166	1,17	1,03	86	1,36	1,12	46	1,52	1,26	16	3,42	2,83
310	1,13	1,07	164	1,19	1,02	84	1,39	1,15	44	1,59	1,32	14	3,91	3,24
305	1,15	1,05	162	1,20	1,01	82	1,42	1,18	42	1,67	1,38	12	4,56	3,78
300	1,17	1,03	160	1,22	1,01	80	1,46	1,21	40	1,75	1,45	10	5,47	4,53
295	1,19	1,02	158	1,23	1,02	78	1,50	1,24	38	1,84	1,53	8	6,84	5,66
290	1,21	1,00	156	1,25	1,03	76	1,54	1,27	36	1,94	1,61	6	9,11	7,55
285	1,23	1,02	154	1,26	1,05	74	1,58	1,31	34	2,06	1,71			
280	1,25	1,04	152	1,28	1,06	72	1,62	1,34	32	2,19	1,81			
275	1,27	1,05	150	1,30	1,07	70	1,67	1,38	30	2,33	1,93			
270	1,30	1,07	148	1,31	1,09	68	1,72	1,42	28	2,50	2,07			
265	1,32	1,09	146	1,33	1,10	66	1,77	1,46	26	2,69	2,23			
260	1,35	1,12	144	1,35	1,12	64	1,82	1,51	24	2,92	2,42			
255	1,37	1,14	142	1,37	1,13	62	1,88	1,56	22	3,18	2,64			
250	1,40	1,16	140	1,39	1,15	60	1,94	1,61	20	3,50	2,90			
245	1,43	1,18	138	1,41	1,17	58	2,01	1,67	18	3,89	3,22			
240	1,46	1,21	136	1,43	1,18	56	2,08	1,73	16	4,38	3,63			
235	1,49	1,23	134	1,45	1,20	54	2,16	1,79	14	5,00	4,14			
230	1,52	1,26	132	1,47	1,22	52	2,24	1,86	12	5,83	4,83			

# Metric Torque-Arm® II

## Dimensions

### Nominal Pulley Ratios required for 5:1, 9:1, 15:1, 25:1, 31:1, 32:1, 33:1 & 40:1

Reducer Output RPM	Nominal Reducer Ratio5:1		Reducer Output RPM	Nominal Reducer Ratio9:1		Reducer Output RPM	Nominal Reducer Ratio15:1		Reducer Output RPM	Nominal Reducer Ratio25:1		Reducer Output RPM	Nominal Reducer Ratio33:1, 32:1, 33:1	
	Motor Speed			Motor Speed			Motor Speed			Motor Speed			Motor Speed	
	1750	1450		1750	1450		1750	1450		1750	1450		1750	1450
225	1,56	1,29	130	1,50	1,24	50	2,33	1,93	10	7,00	5,80	50	1,14	1,38
220	1,59	1,32	128	1,52	1,26	48	2,43	2,01	8	8,75	7,25	48	1,10	1,32
215	1,63	1,35	126	1,54	1,28	46	2,54	2,10	6	11,67	9,67	46	1,05	1,27
210	1,67	1,38	124	1,57	1,30	44	2,65	2,20				44	1,01	1,21
205	1,71	1,41	122	1,59	1,32	42	2,78	2,30				42	1,04	1,16
200	1,75	1,45	120	1,62	1,34	40	2,92	2,42				40	1,09	1,10
195	1,79	1,49	118	1,65	1,37	38	3,07	2,54				38	1,15	1,05
190	1,84	1,53	116	1,68	1,39	36	3,24	2,69				36	1,22	1,01
185	1,89	1,57	114	1,71	1,41	34	3,43	2,84				34	1,29	1,07
180	1,94	1,61	112	1,74	1,44	32	3,65	3,02				32	1,37	1,13
175	2,00	1,66	110	1,77	1,46	30	3,89	3,22				30	1,46	1,21
170	2,06	1,71	108	1,80	1,49	28	4,17	3,45				28	1,56	1,29
165	2,12	1,76	106	1,83	1,52	26	4,49	3,72				26	1,68	1,39
160	2,19	1,81	104	1,87	1,55	24	4,86	4,03				24	1,82	1,51
155	2,26	1,87	102	1,91	1,58	22	5,30	4,39				22	1,99	1,65
150	2,33	1,93	100	1,94	1,61	20	5,83	4,83				20	2,19	1,81
145	2,41	2,00				18	6,48	5,37				18	2,43	2,01
140	2,50	2,07				16	7,29	6,04				16	2,73	2,27
135	2,59	2,15				14	8,33	6,90				14	3,13	2,59
130	2,69	2,23				12	9,72	8,06				12	3,65	3,02
125	2,80	2,32				10	11,67	9,67				10	4,38	3,63
120	2,92	2,42										8	5,47	4,53
115	3,04	2,52										6	7,29	6,04
110	3,18	2,64												
105	3,33	2,76												
100	3,50	2,90												



# Metric Torque-Arm® II

## Dimensions

### Output Torque Ratings (Nm) with Service Factor 1,0

Output RPM	TA0107L	TA1107H	TA2115H	TA3203H	TA4207H	TA5215H	TA6307H	TA7315H	TA8407H	TA9415H	TA10507H	TA12608H
31:1 to 40:1												
10	438	797	1261	1924	3234	5135	7371	11033	15599	21094	30635	37151
20	416	757	1252	1924	3187	5135	7029	10516	15012	21094	29162	37143
30	403	732	1241	1924	3042	5056	6817	10197	14557	20592	28252	37143
40	393	714	1231	1905	2924	4941	6661	9959	14221	20106	27576	37139
50	386	699	1198	1838	2833	4849	6535	9770	13950	19714	27035	37142
25:1												
10	438	797	1261	1924	3234	5135	7371	11033	15599	21094	30627	37083
20	416	754	1261	1924	3188	5135	7030	10515	15012	21094	29018	37045
30	403	732	1261	1924	3042	5056	6817	10196	14558	20590	27394	37057
40	393	714	1231	1905	2924	4941	6661	9960	14220	20015	26669	37046
50	386	699	1198	1838	2833	4849	6535	9770	13950	19714	25445	37057
60	379	686	1163	1783	2758	4771	6429	9610	13723	19387	24642	37056
70	373	675	1126	1738	2696	4703	6337	9471	13526	19102	24060	37054
80	368	666	1082	1698	2642	4644	6257	9349	13352	18851	23611	35626
15:1												
10	438	797	1261	1924	3234	5135	7370	11030	15599	21094	30629	37093
20	416	757	1261	1924	3188	5135	7029	10517	15013	20870	29015	37050
30	403	732	1261	1924	3042	5056	6817	10196	14557	20491	27397	37052
40	393	714	1231	1905	2924	4941	6661	9960	14220	20083	26673	37051
50	386	699	1183	1838	2832	4849	6535	9770	13832	19700	25450	37060
60	379	686	1156	1783	2758	4771	6429	9609	13658	19318	24640	37049
70	373	675	1125	1738	2695	4703	6338	9471	13481	18918	24057	37063
80	368	666	1090	1698	2642	4644	6257	9349	13335	18536	23606	35615
90	363	657	1065	1664	2596	4379	6100	9206	13171	17964	22900	34369
100	357	649	1027	1633	2554	4179	5984	8935	12995	17511	22184	33298
110	347	642	1002	1605	2479	3998	5867	8726	12840	17106	21563	32361
120	338	635	972	1580	2385	3850	5779	8504	12676	16791	21004	31533
09:1												
80	368	666	1089	1686	2566	4311	6212	9186				
90	363	653	1061	1659	2504	4204	6098	9023				
100	359	640	1031	1630	2449	4109	5984	8852				
110	355	628	998	1595	2400	4024	5868	8681				
120	352	617	968	1569	2355	3928	5777	8460				
130	347	608	943	1546	2314	3752	5654	8283				
140	339	599	922	1516	2277	3592	5542	8115				
150	333	575	912	1487	2225	3411	5428	7945				
160	326	562	897	1458	2167	3246	5312	7776				
170	320	551	883	1432	2115	3103	5197	7614				
180	315	540	871	1386	2064	2974	5054	7403				
190	310	529	859	1366	2016	2845	4930	7219				
200	305	521	848	1345	1970	2732	4810	7047				

# Metric Torque-Arm® II

## Dimensions

### Output Torque Ratings (Nm) with Service Factor 1,0

Output RPM	TA0107L	TA1107H	TA2115H	TA3203H	TA4207H	TA5215H	TA6307H	TA7315H	TA8407H	TA9415H	TA10507H	TA12608H
05:1												
90	379	622	805	1406	1501	3534	5083	6583				
100	365	598	780	1300	1501	3535	4930	6262				
110	352	577	760	1226	1501	3341	4762	5997				
120	341	558	752	1166	1501	3181	4608	5777				
130	331	541	720	1124	1501	3047	4490	5589				
140	322	524	698	1089	1501	2951	4389	5428				
150	314	508	682	1054	1501	2878	4296	5287				
160	306	496	666	1024	1501	2769	4194	5165				
170	300	484	650	999	1489	2670	4109	5053				
180	293	474	638	979	1461	2595	4035	4958				
190	288	463	619	960	1437	2515	3962	4872				
200	283	453	608	947	1415	2445	3900	4794				
210	276	443	590	931	1400	2373	3806	4702				
220	270	433	579	918	1384	2305	3717	4613				
230	264	425	564	904	1375	2241	3641	4536				
240	258	416	556	893	1373	2187	3571	4464				
250	253	409	542	879	1346	2134	3504	4399				
260	248	402	536	869	1321	2072	3449	4338				
270	243	395	522	861	1299	2028	3402	4282				
280	238	388	509	849	1277	1984	3358	4230				
290	234	382	497	842	1256	1936	3312	4182				
300	230	376	492	834	1239	1898	3277	4135				
310	226	370	481	825	1217	1865	3230	4094				
320	222	364	470	819	1199	1834	3191	4053				
330	218	359	459	813	1180	1806	3153	4017				
340	214	354	449	805	1162	1769	3118	3980				
350	210	350	445	798	1146	1744	3071	3909				
360	206	345	434	791	1131	1721	3034	3839				
370	202	341	425	783	1116	1698	2989	3773				
380	198	337	417	777	1102	1669	2946	3710				
390	195	333	408	770	1081	1650	2903	3652				
400	192	328	399	765	1059	1631	2863	3597				

# Metric Torque-Arm® II

## Dimensions

### Thermal Power Ratings (kW) Without Fan

When no value is shown, thermal rating exceed mechanical rating

Output RPM	TA0107L*	TA1107H*	TA2115H*	TA3203H	TA4207H	TA5215H	TA6307H	TA7315H	TA8407H	TA9415H	TA10507H	TA12608H
31:1 to 40:1												
10	---	---	---	---	---	---	---	---	---	---	---	---
20	---	---	---	---	---	---	---	---	35,2	38,8	63,8	76,2
30	---	---	---	---	---	---	---	---	37,9	39,3	68,0	85,7
40	---	---	---	---	---	---	35,1	40,3	38,0	36,4	66,5	89,2
50	---	---	---	---	---	25,7	37,0	39,1	36,0	30,6	60,1	83,6
25:01:00												
10	---	---	---	---	---	---	---	---	---	---	---	---
20	---	---	---	---	---	---	---	---	---	45,1	69,8	82,0
30	---	---	---	---	---	---	---	---	44,5	49,1	76,8	93,5
40	---	---	---	---	---	---	---	51,0	47,2	50,1	79,4	99,1
50	---	---	---	---	---	---	---	52,2	48,1	48,5	77,8	98,8
60	---	---	---	---	---	34,3	45,9	52,0	47,4	44,7	72,4	92,6
70	---	---	---	12,2	---	33,8	47,6	50,5	45,3	38,7	63,4	80,0
80	---	---	---	11,7	---	32,8	48,9	47,7	41,6	30,6	50,7	61,0
15:01												
10	---	---	---	---	---	---	---	---	---	---	---	---
20	---	---	---	---	---	---	---	---	---	---	---	85,6
30	---	---	---	---	---	---	---	---	51,8	60,0	85,6	97,7
40	---	---	---	---	---	---	---	---	57,1	64,8	90,6	104,6
50	---	---	---	---	---	---	---	62,4	60,8	67,6	92,4	106,7
60	---	---	---	---	---	---	48,4	65,9	63,0	68,5	91,2	103,9
70	---	---	---	---	---	---	50,7	65,4	64,7	67,5	86,7	96,1
80	---	---	---	---	---	45,4	52,5	65,4	64,9	64,7	79,1	83,0
90	---	---	---	16,5	---	45,7	53,8	64,2	64,0	60,0	68,4	64,8
100	---	---	---	16,3	---	45,6	54,6	62,0	61,8	53,1	54,6	41,9
110	---	---	---	16,0	---	45,1	54,9	58,6	58,4	44,5	38,3	17,0
120	---	---	13,2	15,8	---	44,3	54,8	55,9	53,9	34,0	20,4	0
09:01												
80	---	---	---	---	---	---	50,7	73,63				
90	---	---	---	---	---	---	52,0	74,2				
100	---	---	---	---	---	---	52,9	73,9				
110	---	---	---	25,5	---	---	53,5	72,9				
120	---	---	---	20,6	---	---	53,6	70,9				
130	---	---	---	20,6	---	---	53,5	68,1				
140	---	---	---	20,6	---	---	53,0	64,4				
150	---	---	---	20,4	---	59,4	52,3	59,8				
160	---	---	16,6	20,2	---	59,2	51,2	54,4				
170	---	---	16,4	19,9	42,0	58,6	49,9	48,1				
180	---	---	16,2	19,6	41,8	57,8	48,1	41,0				
190	---	---	16,0	19,2	41,5	56,8	46,0	33,1				
200	---	---	15,7	18,8	41,1	55,5	43,6	24,7				

# Metric Torque-Arm® II

## Dimensions

### Thermal Power Ratings (kW) Without Fan

When no value is shown, thermal rating exceed mechanical rating

Output RPM	TA0107L*	TA1107H*	TA2115H*	TA3203H	TA4207H	TA5215H	TA6307H	TA7315H	TA8407H	TA9415H	TA10507H	TA12608H
	05:01											
90	---	---	---	---	---	---	---	---	---	---	---	---
100	---	---	---	---	---	---	---	---	---	---	---	---
110	---	---	---	---	---	---	---	---	---	---	---	---
120	---	---	---	---	---	---	---	---	---	---	---	---
130	---	---	---	---	---	---	---	---	---	---	---	---
140	---	---	---	---	---	---	---	---	---	---	---	---
150	---	---	---	---	---	---	---	---	---	---	---	---
160	---	---	---	---	---	---	---	---	---	---	---	---
170	---	---	---	---	---	---	---	---	---	---	---	---
180	---	---	---	---	---	---	---	---	---	---	---	---
190	---	---	---	---	---	---	---	---	---	---	---	---
200	---	---	---	---	---	---	---	---	---	---	---	---
210	---	---	---	---	---	---	---	---	---	---	---	---
220	---	---	---	---	---	---	---	---	---	---	---	---
230	---	---	---	---	---	---	---	---	---	---	---	---
240	---	---	---	---	---	---	---	---	---	---	---	---
250	---	---	---	---	---	---	---	---	---	---	---	---
260	---	---	---	---	---	---	---	---	---	---	---	---
270	---	---	---	---	---	---	---	104,5	---	---	---	---
280	---	---	---	---	---	---	---	103,8	---	---	---	---
290	---	---	---	---	---	---	---	103,0	139	---	---	---
300	---	---	---	---	---	---	---	102,2	139	---	---	---
310	---	---	---	---	---	---	---	101,2	138	---	---	---
320	---	---	---	---	---	---	---	100,1	138	---	---	---
330	---	---	---	---	---	---	---	98,8	137	---	---	---
340	---	---	---	---	---	---	---	97,7	136,4	---	---	---
350	---	---	---	---	---	---	---	96,0	135,6	---	---	---
360	---	---	---	---	---	---	---	94,7	134,6	---	---	---
370	---	---	---	---	---	---	---	93,1	133,5	---	---	---
380	---	---	---	---	---	---	---	91,2	132,4	---	---	---
390	---	---	---	---	---	---	---	89,4	131,1	---	---	---
400	---	---	---	---	---	---	---	87,4	129,8	---	---	---

# Metric Torque-Arm® II

## Dimensions

### Thermal Power Ratings (kW) With Fan

When no value is shown, thermal rating exceed mechanical rating

Output RPM	TA0107L	TA1107H	TA2115H	TA3203H	TA4207H	TA5215H	TA6307H	TA7315H	TA8407H	TA9415H	TA10507H	TA12608H
31:1 to 40:1												
10	---	---	---	---	---	---	---	---	---	---	---	61
20	---	---	---	---	---	---	---	---	---	56	78	84
30	---	---	---	---	---	---	---	---	52	68	91	99
40	---	---	---	---	---	---	---	---	58	77	99	107
50	---	---	---	---	---	---	---	---	62	83	102	107
25:01:00												
10	---	---	---	---	---	---	---	---	---	---	---	---
20	---	---	---	---	---	---	---	---	---	---	---	112
30	---	---	---	---	---	---	---	---	---	75	112	113
40	---	---	---	---	---	---	---	---	66	83	116	127
50	---	---	---	---	---	---	---	---	73	91	125	136
60	---	---	---	---	---	---	---	---	78	98	131	138
70	---	---	---	---	---	---	---	---	82	102	133	133
80	---	---	---	---	---	---	---	---	84	103	130	121
15:01												
10	---	---	---	---	---	---	---	---	---	---	---	---
20	---	---	---	---	---	---	---	---	---	---	---	---
30	---	---	---	---	---	---	---	---	---	---	---	149
40	---	---	---	---	---	---	---	---	---	112	---	149
50	---	---	---	---	---	---	---	---	---	112	147	158
60	---	---	---	---	---	---	---	---	---	112	159	168
70	---	---	---	---	---	---	---	---	112	117	169	173
80	---	---	---	---	---	---	---	---	112	122	174	171
90	---	---	---	---	---	---	---	---	113	126	177	163
100	---	---	---	---	---	---	---	---	117	127	174	147
110	---	---	---	---	---	---	---	---	120	126	168	125
120	---	---	---	---	---	---	---	---	121	122	157	95
09:01												
80	---	---	---	---	---	---	---	---	---	---	---	---
90	---	---	---	---	---	---	---	---	---	---	---	---
100	---	---	---	---	---	---	---	---	---	---	---	---
110	---	---	---	---	---	---	---	---	---	---	---	---
120	---	---	---	---	---	---	---	---	---	---	---	---
130	---	---	---	---	---	---	---	---	---	---	---	---
140	---	---	---	---	---	---	---	---	---	---	---	---
150	---	---	---	---	---	---	---	---	---	---	---	---
160	---	---	---	---	---	---	---	---	---	---	---	---
170	---	---	---	---	---	---	---	---	---	---	---	---
180	---	---	---	---	---	---	---	---	---	---	---	---
190	---	---	---	---	---	---	---	---	---	---	---	---
200	---	---	---	---	---	---	---	---	---	---	---	---

# Metric Torque-Arm® II

## Dimensions

### Thermal Power Ratings (kW) With Fan (Continued)

When no value is shown, thermal rating exceed mechanical rating

Output RPM	TA0107L	TA1107H	TA2115H	TA3203H	TA4207H	TA5215H	TA6307H	TA7315H	TA8407H	TA9415H	TA10507H	TA12608H
05:01												
90	---	---	---	---	---	---	---	---	---	---	---	---
100	---	---	---	---	---	---	---	---	---	---	---	---
110	---	---	---	---	---	---	---	---	---	---	---	---
120	---	---	---	---	---	---	---	---	---	---	---	---
130	---	---	---	---	---	---	---	---	---	---	---	---
140	---	---	---	---	---	---	---	---	---	---	---	---
150	---	---	---	---	---	---	---	---	---	---	---	---
160	---	---	---	---	---	---	---	---	---	---	---	---
170	---	---	---	---	---	---	---	---	---	---	---	---
180	---	---	---	---	---	---	---	---	---	---	---	---
190	---	---	---	---	---	---	---	---	---	---	---	---
200	---	---	---	---	---	---	---	---	---	---	---	---
210	---	---	---	---	---	---	---	---	---	---	---	---
220	---	---	---	---	---	---	---	---	---	---	---	---
230	---	---	---	---	---	---	---	---	---	---	---	---
240	---	---	---	---	---	---	---	---	---	---	---	---
250	---	---	---	---	---	---	---	---	---	---	---	---
260	---	---	---	---	---	---	---	---	---	---	---	---
270	---	---	---	---	---	---	---	---	---	---	---	---
280	---	---	---	---	---	---	---	---	---	---	---	---
290	---	---	---	---	---	---	---	---	---	---	---	---
300	---	---	---	---	---	---	---	---	---	---	---	---
310	---	---	---	---	---	---	---	---	---	---	---	---
320	---	---	---	---	---	---	---	---	---	---	---	---
330	---	---	---	---	---	---	---	---	---	---	---	---
340	---	---	---	---	---	---	---	---	---	---	---	---
350	---	---	---	---	---	---	---	---	---	---	---	---
360	---	---	---	---	---	---	---	---	---	---	---	---
370	---	---	---	---	---	---	---	---	---	---	---	---
380	---	---	---	---	---	---	---	---	128	---	---	---
390	---	---	---	---	---	---	---	---	127	---	---	---
400	---	---	---	---	---	---	---	---	126	---	---	---



# Metric Torque-Arm® II

## Dimensions

### Maximum Input Speed (RPM)

Case Size	Nominal Ratio				
	5	9	15	25	32/40
TA0107L	2080	1800	1791	2007	1750
TA1107H	2000	1798	1789	2005	1750
TA2115H	2080	1821	1874	2005	1750
TA3203H	1965	1847	1808	1996	1750
TA4207H	2000	1846	1800	2010	1955
TA5215H	2042	1837	1791	2000	1945
TA6307H	1978	1843	1854	1989	1916
TA7315H	2075	1943	1790	1987	1983
TA8407H	N/A	N/A	1814	1997	1983
TA9415H	N/A	N/A	1812	2035	1970
TA10507H	N/A	N/A	1811	2015	1984
TA12608H	N/A	N/A	1775	2002	1909

### Maximum Output Speed (RPM)

Case Size	Nominal Ratio				
	5	9	15	25	32/40
TA0107L	400	200	120	80	57
TA1107H	400	200	120	80	57
TA2115H	400	200	120	80	53
TA3203H	400	200	120	80	54
TA4207H	400	200	120	80	50
TA5215H	400	200	120	80	50
TA6307H	400	200	120	80	50
TA7315H	400	200	120	80	50
TA8407H	N/A	N/A	120	80	50
TA9415H	N/A	N/A	120	80	50
TA10507H	N/A	N/A	120	80	50
TA12608H	N/A	N/A	120	80	50

### Backstop Lift-Off Speeds (RPM)\*

Case Size	Lift-Off Speed
TA0107L	875
TA1107H	875
TA2115H	875
TA3203H	825
TA4207H	780
TA5215H	720
TA6307H	610
TA7315H	490
TA8407H	610
TA9415H	490
TA10507H	480
TA12608H	450

\*For best results, select reducer ratios which exceed input shaft speed required for backstop sprag lift-off

# Metric Torque-Arm® II

## Dimensions

### Thrust Capacity for Screw Conveyor Drives (N)

#### Single Reduction Reducers (05:1)

Case Size	Output Speed (RPM)						
	100	150	200	250	300	350	400
TA0107L	11421	10176	9304	8895	8548	8050	7988
TA1107H	13814	12608	11679	11141	10656	10269	9927
TA2115H	23896	21219	19644	18617	17856	17278	16834
TA3203H	26685	25946	23958	22473	21272	20285	19506
TA4207H	26685	26685	26685	26685	26685	25688	24772
TA5215H	26685	26685	26685	26685	26685	26685	26685
TA6307H	26685	25808	23901	23136	22135	21379	21068
TA7315H	†	†	†	†	†	†	†

† Consult Baldor-Dodge Application Engineering

#### Double Reduction Reducers (09:1 thru 40:1)

Case Size	Output Speed (RPM)								
	10	25	50	75	100	125	150	176	200
TA0107L	23571	17914	13969	12142	10963	10145	9629	9211	8846
TA1107H	26685	21494	16478	14214	12742	11737	11421	10843	10296
TA2115H	26685	26685	26685	23676	21570	20236	19102	18172	17452
TA3203H	26685	26685	26685	26685	25622	23696	22326	21405	20618
TA4207H	26685	26685	26685	26685	26685	26685	26685	26685	26685
TA5215H	26685	26685	26685	26685	26685	26685	26685	26685	26685
TA6307H	26685	26685	26685	26173	23060	20930	19724	19137	18986
TA7315H	†	†	†	†	†	†	†	†	†

† Consult Baldor-Dodge Application Engineering

# Metric Torque-Arm® II

## Dimensions

### Lubrication - Oil Recommendations

#### ISO Grades For Ambient Temperatures of 10°C to 51°C

Output RPM	TA0107L	TA1107H	TA2115H	TA3202H	TA4207H	TA5215H	TA6307H	TA7315H	TA8407H	TA9415H	TA10507H	TA12608H
301-400	320	320	320	220	220	220	220	220	220	220	220	220
201-300	320	320	320	220	220	220	220	220	220	220	220	220
151-200	320	320	320	220	220	220	220	220	220	220	220	220
126-150	320	320	320	220	220	220	220	220	220	220	220	220
101-125	320	320	320	320	220	220	220	220	220	220	220	220
81-100	320	320	320	320	320	220	220	220	220	220	220	220
41-80	320	320	320	320	320	220	220	220	220	220	220	220
11-40	320	320	320	320	320	320	320	320	320	320	220	220
1-10	320	320	320	320	320	320	320	320	320	320	320	320

#### ISO Grades For Ambient Temperatures of -9°C to 15°C

Output RPM	TA0107L	TA1107H	TA2115H	TA3202H	TA4207H	TA5215H	TA6307H	TA7315H	TA8407H	TA9415H	TA10507H	TA12608H
301-400	220	220	220	150	150	150	150	150	150	150	150	150
201-300	220	220	220	150	150	150	150	150	150	150	150	150
151-200	220	220	220	150	150	150	150	150	150	150	150	150
126-150	220	220	220	150	150	150	150	150	150	150	150	150
101-125	220	220	220	220	150	150	150	150	150	150	150	150
81-100	220	220	220	220	220	150	150	150	150	150	150	150
41-80	220	220	220	220	220	150	150	150	150	150	150	150
11-40	220	220	220	220	220	220	220	220	220	220	150	150
1-10	220	220	220	220	220	220	220	220	220	220	220	220

### Notes

1. Assumes auxiliary cooling where recommended in the catalogue
2. Pour point of lubricant selected should be at least 5°C lower than expected minimum ambient starting temperature
3. Extreme pressure (EP) lubricants are not necessary for average operating conditions. When properly selected for specific applications, TORQUE-ARM II backstops are suitable for use with EP lubricants
4. Special lubricants may be required for food and drug industry applications where contact with the product being manufactured may occur. Consult a lubrication manufacture's representative for his recommendations
5. For reducers operating in ambient temperatures between -30C and -6C use a synthetic hydrocarbon lubricant, 100 ISO grade or AGMA 3 grade (for example, Mobil SHC627). Above 51C, consult DODGE Application Engineering for lubrication recommendation
6. Mobil SHC630 Series oil is recommended for high ambient temperatures

# Metric Torque-Arm® II

## Dimensions

### Vent and Plug Locations

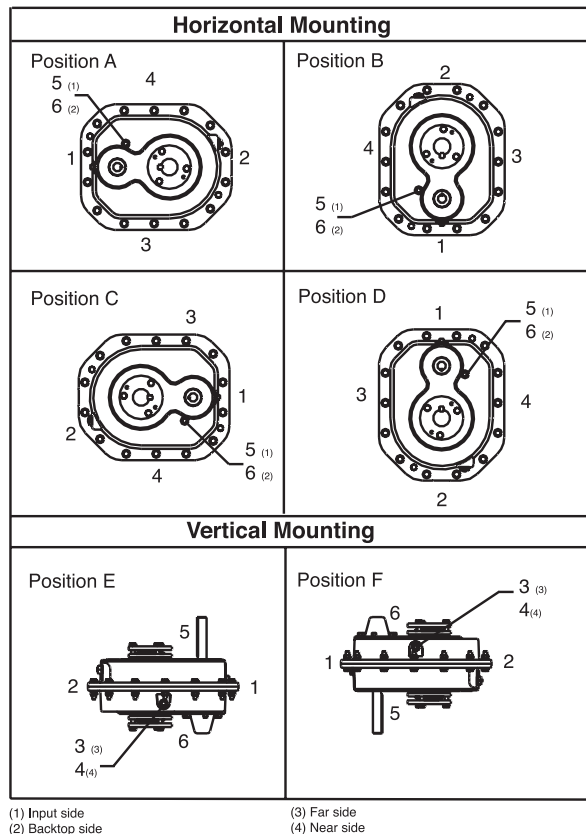
**Horizontal Installations** - Install the magnetic drain plug in the hole closest to the bottom of the reducer. Throw away the tape that covers the filler/ventilation plug in shipment and install plug in topmost hole. Of the 2 remaining plugs on the sides of the reducer, the lowest one is the minimum oil level plug.

**Vertical installations**-Install the filler/ventilation plug in the hole provided in the top face of the reducer housing. Use the hole in the bottom face for the magnetic drain plug. Of the remaining holes on the sides of the reducer, use a plug in the upper housing half for the minimum oil level plug.

**Mounting Position** - The running position of the reducer in a horizontal application is not limited to the four positions shown below. However, if running position is over 20° of position “B” or “D” or 5° off position “A”

or “C”, either way from the sketches, the oil level plug cannot be used to safely check the oil level, unless during the checking, the torque arm is disconnected and the reducer is swung to within 20° for position “A” or “C”, or 5° for position “B” and “D” shown in the drawing. Because of the many possible positions of the reducer, it may be necessary or desirable to make special adaptations using the lubrication fitting holes furnished along with other standard pipe fittings, stand pipes and oil level gauges as required.

Below 15 RPM output speed, oil level must be adjusted to reach the highest oil level plug. If reducer position is to vary from those shown in the drawing, either more or less oil may be required; consult DODGE Application Engineering.



# Metric Torque-Arm® II

## Dimensions

### Vent and Plug Locations

Mounting Position	Output Speed Above 15 RPM						Output Speed 15 RPM and Below					
	Vent and Plug Locations						Vent and Plug Locations					
	1	2	3	4	5	6	1	2	3	4	5	6
A	Level	Plug	Drain	Vent	Plug	Plug	Plug	Level	Drain	Vent	Plug	Plug
B	Drain	Vent	Level	Plug	Plug	Plug	Drain	Vent	Plug	Level	Plug	Plug
C	Plug	Level	Vent	Drain	Plug	Plug	Level	Plug	Vent	Drain	Plug	Plug
D	Vent	Drain	Level	Level	Plug	Plug	Drain	Drain	Level	Level	Plug	Plug
E	Level	Plug	Plug	Drain	Vent	Plug	Level	Plug	Plug	Drain	Vent	Plug
F	Plug	Drain	Level	Level	Plug	Vent	Plug	Drain	Level	Level	Plug	Vent

\*Where space constraints prevent installing the breather in vent locations 5 or 6, install vent in this location and order a vertical breather kit.

### Oil Volumes - By Mounting Position <sup>1,2</sup>

Case Size	Ratios	Oil Volume in Liters					
		Horizontal				Vertical	
		A (9:00)	B (6:00)	C (3:00)	D (12:00)	E (Up)	F (Down)
TA0107L	Single	0,6	0,5	0,6	1,3	1,2	1,4
	Doubles	0,6	0,5	0,6	1,3	1,2	1,3
TA1107H	Single	1,3	0,7	0,6	1,6	1,4	1,8
	Doubles	1,3	0,7	0,6	1,6	1,4	1,8
TA2115H	Single	2,0	1,2	1,0	2,5	2,2	2,9
	Doubles	2,0	1,1	1,0	2,5	2,3	2,8
TA3203H	Single	2,7	1,6	1,7	3,9	3,1	4,2
	Doubles	2,7	1,4	1,6	3,8	3,3	4,0
TA4207H	Single	4,2	2,5	2,8	7,0	6,0	7,3
	Doubles	4,2	2,4	2,6	6,9	6,0	7,1
TA5215H	Single	7,0	4,7	5,5	12,5	11,0	12,4
	Doubles	7,0	4,4	5,2	12,2	10,8	11,9
TA6307H	Single	8,3	5,5	6,2	15,3	12,5	15,3
	Doubles	8,4	5,2	5,9	15,0	13,1	14,5
TA7315H	Single	8,0	11,1	13,2	21,3	20,9	23,7
	Doubles	7,9	10,3	12,5	20,9	21,2	21,8
TA8407H	Doubles	7,3	11,1	12,9	23,8	22,7	24,4
TA9415H	Doubles	16,1	15,9	17,1	31,4	31,4	36,5
TA10507H	Doubles	36,0	26,1	24,4	50,6	50,9	53,0
TA12608H	Doubles	50,2	39,3	35,1	66,9	68,3	76,1

1. Oil Quantity is approximate, Service with lubricant until oil runs out of oil level hole.

2. Below 15 RPM output speed, oil level must be adjusted to reach the high test oil level plug, if reducer position is to vary from those shown in the drawing on the preceding page, either more or less oil may be required.

# Metric Torque-Arm® II

## Part number/Index

900005	17	902009	19	903109	20	905053	22
900006	17	902010	19	904005	21	905054	22
900007	17	902011	19	904006	21	905055	22
900008	17	902012	19	904007	21	905056	22
900009	17	902013	19	904008	21	905070	22
900010	17	902014	19	904009	21	905071	22
900011	17	902070	19	904010	21	905073	22
900012	17	902071	19	904011	21	905074	22
900013	17	902072	19	904012	21	905075	22
900014	17	902073	19	904013	21	905076	22
900034	17	902074	19	904014	21	905092	22
900035	17	902075	19	904049	21	905096	22
900070	17	902092	19	904050	21	905097	22
900071	17	902096	19	904051	21	905102	22
900072	17	902097	19	904052	21	905103	22
900073	17	902102	19	904053	21	905107	22
900074	17	902109	19	904054	21	905109	22
900075	17	903005	20	904070	21	906005	23
900092	17	903006	20	904071	21	906006	23
900096	17	903007	20	904073	21	906007	23
900097	17	903008	20	904074	21	906008	23
900109	17	903009	20	904075	21	906009	23
900112	17, 19, 20	903010	20	904076	21	906010	23
901005	18	903011	20	904092	21	906011	23
901006	18	903012	20	904096	21	906012	23
901007	18	903013	20	904097	21	906013	23
901008	18	903014	20	904102	21	906014	23
901009	18	903050	20	904103	21	906049	23
901010	18	903051	20	904107	21	906050	23
901011	18	903052	20	904109	21	906051	23
901012	18	903053	20	904112	21,22,23, 24,25,27,28	906052	23
901013	18	903054	20			906053	23
901014	18	903055	20	905005	22	906054	23
901033	19	903056	20	905006	22	906070	23
901035	19	903070	20	905007	22	906071	23
901037	19	903071	20	905008	22	906074	23
901050	18, 19	903072	20	905009	22	906075	23
901051	18, 19	903073	20	905010	22	906076	23
901052	18, 19	903074	20	905011	22	906092	23
901102	17	903075	20	905012	22	906096	23
902005	19	903092	20	905013	22	906097	23
902006	19	903096	20	905014	22	906102	23
902007	19	903097	20	905051	22	906103	23
902008	19	903102	20	905052	22		



# Metric Torque-Arm® II

## Part number/Index

906107	23	908012	25	910092	27
906109	23	908042	25	910096	27
907005	24	908043	25	910102	27
907006	24	908044	25	910103	27
907007	24	908045	25	910107	27
907008	24	908046	25	910109	27
907010	24	908047	25	912005	28
907011	24	908048	25	912006	28
907012	24	908102	25	912007	28
907013	24	908103	25	912010	28
907014	24	909005	26	912011	28
907049	24	909006	26	912012	28
907050	24	909007	26	912037	28
907051	24	909010	26	912038	28
907052	24	909011	26	912039	28
907053	24	909012	26	912040	28
907054	24	909037	26	912092	28
907055	24	909038	26	912096	28
907056	24	909039	26	912102	28
907070	24	909040	26	912103	28
907071	24	909041	26	912107	28
907074	24	909042	26	912109	28
907075	24	909092	26		
907076	24	909096	26		
907092	24,25	909102	26		
907096	24,25	909107	26		
907097	24,25	909109	26		
907102	24	910005	27		
907103	24,26	910006	27		
907107	24,25	910007	27		
907109	24,25	910010	27		
908005	25	910011	27		
908006	25	910012	27		
908007	25	910038	27		
908010	25	910039	27		
908011	25	910040	27		

# Metric Torque-Arm® II

## Notes

To receive a copy of the DODGE Bearing Engineering Catalog, DODGE Gearing Engineering Catalog or DODGE Power Transmission Components Engineering Catalog, contact your local authorized DODGE Distributor or Baldor Electric Co., P.O. Box 499, 6040 Ponders Court, Greenville, SC 29602.



Below is a list of registered and trademarked names in the U.S.A.

AERO™	LIBERATOR®	SCR DESIGN®
AIRTROL®	LODE-SPHER®	SERVICELINE®
APEX®	MASTER®	SLEEVOIL DESIGN®
AUTOMATE®	MASTER and Design™	SLEEVOIL®
AUTOMAX®	MAXPAK®	SOLIDLUBE®
Brand X™	MAXUM®	SPEEDSETTER®
BRONZOIL DESIGN®	METRE®	STAREC®
CALIBRE™	MINE DUTY EXTRA®	TAPER-LOCK®
DAGGRE™	MOTO DRIVE®	TCO APPRAISAL™
DODGE®	MOTODRIVE®	TCO TOOLBOX®
DODGE DOUBLE-INTERLOCK®	MOTOMATIC®	TIGEAR®
DOUBLE-INTERLOCK®	MOTO-MATIC®	TIGEAR-2™
DUTY MASTER®	NYLIGN®	TIGER TORQUE™
DYNA V®	PARAFLEX®	TORQUE-ARM™
DYNA V DESIGN®	PARA-FLEX®	TORQUE-TAMER®
DYN-ADJUST®	PLS®	TRANSMISSIONEER®
DYNAFACE®	POLYBAND®	TRANSMISSIONEERING®
DYNA-SYNC®	POLY-DISC®	TRI-MATIC®
ELECTRO-CRAFT®	POLY-FLEX®	TYPE E-XTRA®
ENDURASEAL®	POWER LEAN®	ULTIMA®
E-Z KLEEN®	QUANTIS®	ULTRA KLEEN™
E-Z KLEENTM™	REEVES®	UNIBRAKE®
FIRST LINE®	RELIALUBE®	UNIFIED®
FLEXALIGN®	RELIANCE®	UNISPHERE®
FLEXIDYNE®	RELIANCE (IN KATAKANA)®	V S®
FLEXLINK®	RELIANCE AUTOMATION®	V*S®
FLEXPAK®	RELIANCE DESIGN®	V*S DESIGN®
GRID-LIGN®	RELIANCE ELECTRIC®	VARI-SPEED®
GRIP TIGHT®	RELIANCE V S DESIGN®	VARI-SPIN®
GRUNT MAN (Design only)®	RELIANCE V*S DESIGN®	VIA VISA®
GRUNT WORK AND DESIGN®	ROLLING GRIP®	VS STAR DEVICE®
HYDROIL®	RPM ACT™	WEBPAK®
IMPAK®	RPM III™	WEBPAKCS®
INVERTRON®	SCHOOL OF TRANSMISSIONEERING®	

MEMBER OF . . .



AMERICAN GEAR MANUFACTURERS ASSOCIATION



MECHANICAL POWER TRANSMISSION ASSOCIATION

AFBMA

ANTI-FRICTION BEARING MANUFACTURERS ASSOCIATION



AMERICAN SUPPLY AND MACHINERY MANUFACTURERS ASSOCIATION, INC.



BEARING SPECIALISTS ASSOCIATION



POWER TRANSMISSION DISTRIBUTORS ASSOCIATION



CONVEYOR MANUFACTURERS ASSOCIATION



DODGE Products are  
Manufactured in ISO 9002  
Certified Plants

Prices and data indicated in this document are for your convenience and were correct at time of printing with the exception of clerical and/or printing errors. Possession of this document by any person or company is not to be construed as an offer to sell to him or to anyone else the goods listed herein at the prices stated.

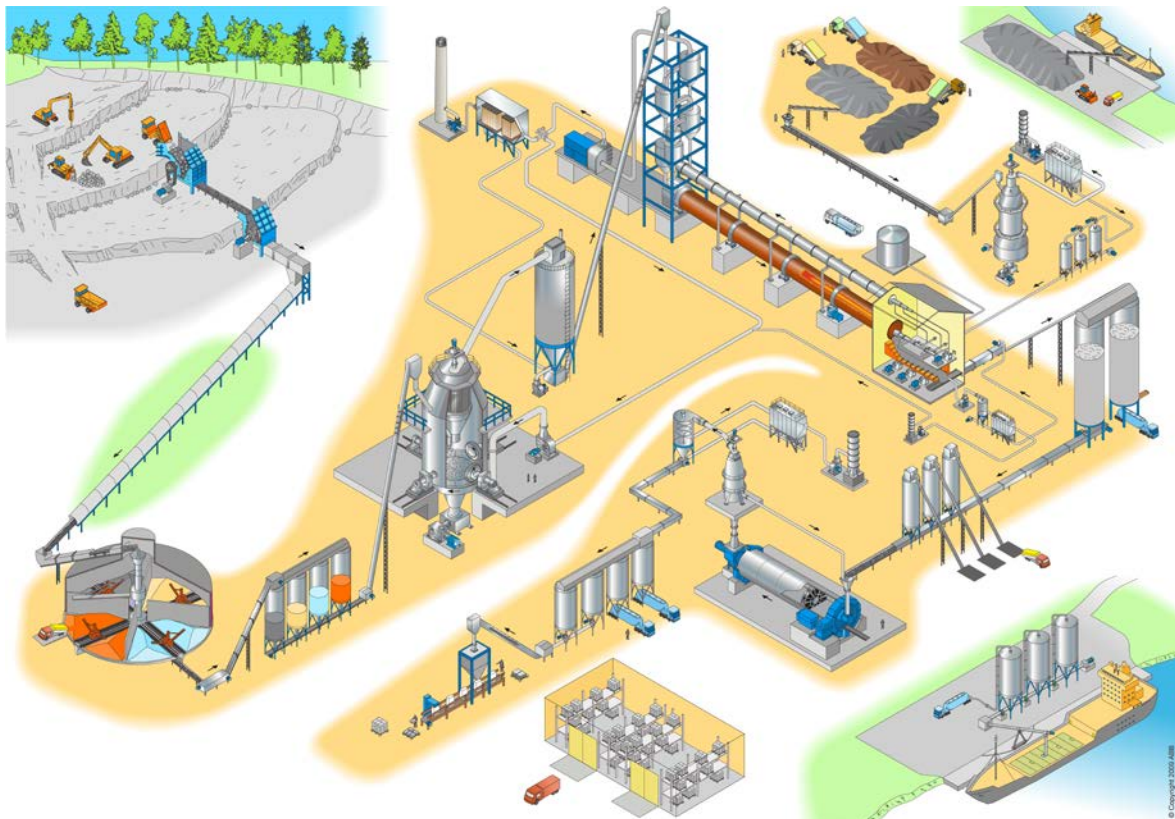
ALL DATA AND PRICES ARE SUBJECT TO CHANGE WITHOUT NOTICE and shall be subject to those prices in effect at time of shipments. All published and quoted prices are based upon the application of, and all sales are expressly subject to, the Company's Standard Terms and Conditions of Sales are available upon request. This document supersedes all previously published catalog/pricing documents.

In illustrations throughout this catalog, safety guards have been removed for photographic purposes.

© 2007 Baldor Electric Company

**WARNING:** Because of the possible danger to person(s) or property from accidents which may result from the improper use of products, it is important that correct procedures be followed: Products must be used in accordance with the engineering information specified in the catalog. Proper installation, maintenance and operation procedures must be observed. The instructions in the instruction manuals must be followed. Inspections should be made as necessary to assure safe operation under prevailing conditions. Proper guards and other suitable safety devices or procedures as may be described or as may be specified in safety codes should be provided, and are neither provided by Baldor Electric Company nor are the responsibility of Baldor Electric Company. This unit and its associated equipment must be installed, adjusted and maintained by qualified personnel who are familiar with the construction and operation of all equipment in the system and the potential hazards involved. When risk to persons or property may be involved, a holding device must be an integral part of the driven equipment beyond the speed reducer output shaft.

A total offering of mechanical power transmission products, motors, electrical drives, and generator sets, along with a complete portfolio of integration services



**ABB is the leading manufacturer of mechanical power transmission products; low, medium and high voltage motors and drives; and generator sets, offering of a complete portfolio of power integration services. Our in-depth knowledge of virtually every type of industrial processing ensures we always specify the best solution for your needs.**

**Mechanical gear products, bearings, and power transmission components**

- Dodge Torque-Arm II speed reducers
- Dodge Motorized Torque-Arm II speed reducers
- Dodge Quantis speed reducers and gearmotors
- Dodge MagnaGear speed reducers
- Dodge ISN roller bearings
- Dodge mechanical drum pulleys
- Dodge synchronous and v-belt drives
- Dodge sheaves and bushings
- Dodge tapered roller bearings
- Dodge SCMS ball bearings
- Dodge SleeveOil bearings

**Low and high voltage IEC induction motors and Electrical Drives**

- Process performance motors
- General performance motors
- High voltage cast iron motors
- Induction modular motors
- Slip-ring modular motors
- Synchronous reluctance motors

**Low and medium voltage NEMA motors and Electrical Drives**

- Steel frame fan cooled (TEFC) motors
- Cast iron frame (TEFC) motors
- Air to air cooled (TEAAC) motors
- Weather protected, water cooled, fan ventilated motors

**Motors and generators for explosive atmospheres**

- IEC and NEMA motors and generators, for all protection types

**Synchronous motors, Synchronous generators**

- Synchronous generators for diesel and gas engines

**Wind power generators, Generators for small hydro, other motors and generators**

- Brake motors
- DC motors and generators
- Gear motors
- Single phase motors
- Motors for high ambient temperatures
- Permanent magnet motors and generators
- High speed motors
- Smoke extraction motors
- Water cooled motors
- Generator sets

**Life cycle services**

- Installation and commissioning
- Service contracts
- Preventive maintenance
- Spare parts
- Diagnosis
- Repair and refurbishment
- Site survey and overhaul
- Replacement gear products, bearings, motors and generators
- Technical support and consulting
- Training

[www.abb.com/mechanicalpowertransmission](http://www.abb.com/mechanicalpowertransmission)

We reserve the right to make technical changes or modify the contents of this document without prior notice. With regard to purchase orders, the agreed particulars shall prevail. ABB Ltd does not accept any responsibility whatsoever for potential errors or possible lack of information in this document.

We reserve all rights in this document and in the subject matter and illustrations contained herein. Any reproduction, disclosure to third parties or utilization of its contents - in whole or in part - is forbidden without prior written consent of ABB Ltd.

© Copyright 2012 ABB. All rights reserved.  
Specifications subject to change without notice.

MPT products ROW EN 4-2013 printed in USA 5000 ICA1602