

High-performance Product Series for Steel Production / Rolling Equipment



JTEKT...

Utilizing comprehensive strengths to manufacture products that respond to steel production equipment needs and support stable operations.



JHS (JTEKT Hyper Strong) is a product series incorporating designs to meet the requirements of various industrial machinery.

In order to achieve high-durability of ever-evolving steel production equipment, JHS is evolving daily together with JTEKT customers and provides total support for bearings, drive shafts and oil seals.

JHS Series

Bearings

- RZ-type Spherical Roller Bearings (CAT.NO.B2023E)
- Bearings for multi-roll mill backup rolls (CAT.NO.B2012E)



Case-hardened steel is used on the inner ring to improve rolling life in low-viscosity lubrication.

- Bearings for roll necks (CAT.NO.B2013E)



Standard

By using our newly developed case-hardening steel in the bearing rings, we have improved the rolling life, toughness, and corrosion resistance.

Premium

A special heat treatment is applied to the newly developed hardened steel to further improve rolling life and corrosion resistance.

- Bearings for sintering machine pallet car

Drive shafts

- Drive shaft for roll drives (CAT.NO.B2021E)
- Hyper coupling (CAT.NO.B1010E)

Steel production equipment are operated in extremely harsh environments, where machinery is exposed to high temperatures, water and mill scale. The bearings used in this equipment must continually withstand heavy loads and high-speed rotation. These conditions test not only each bearing, but also the overall strengths of peripheral parts and the integration thereof. As a general manufacturer of bearings, drive shafts and oil seals, JTEKT is a full-service provider for a wide range of products.

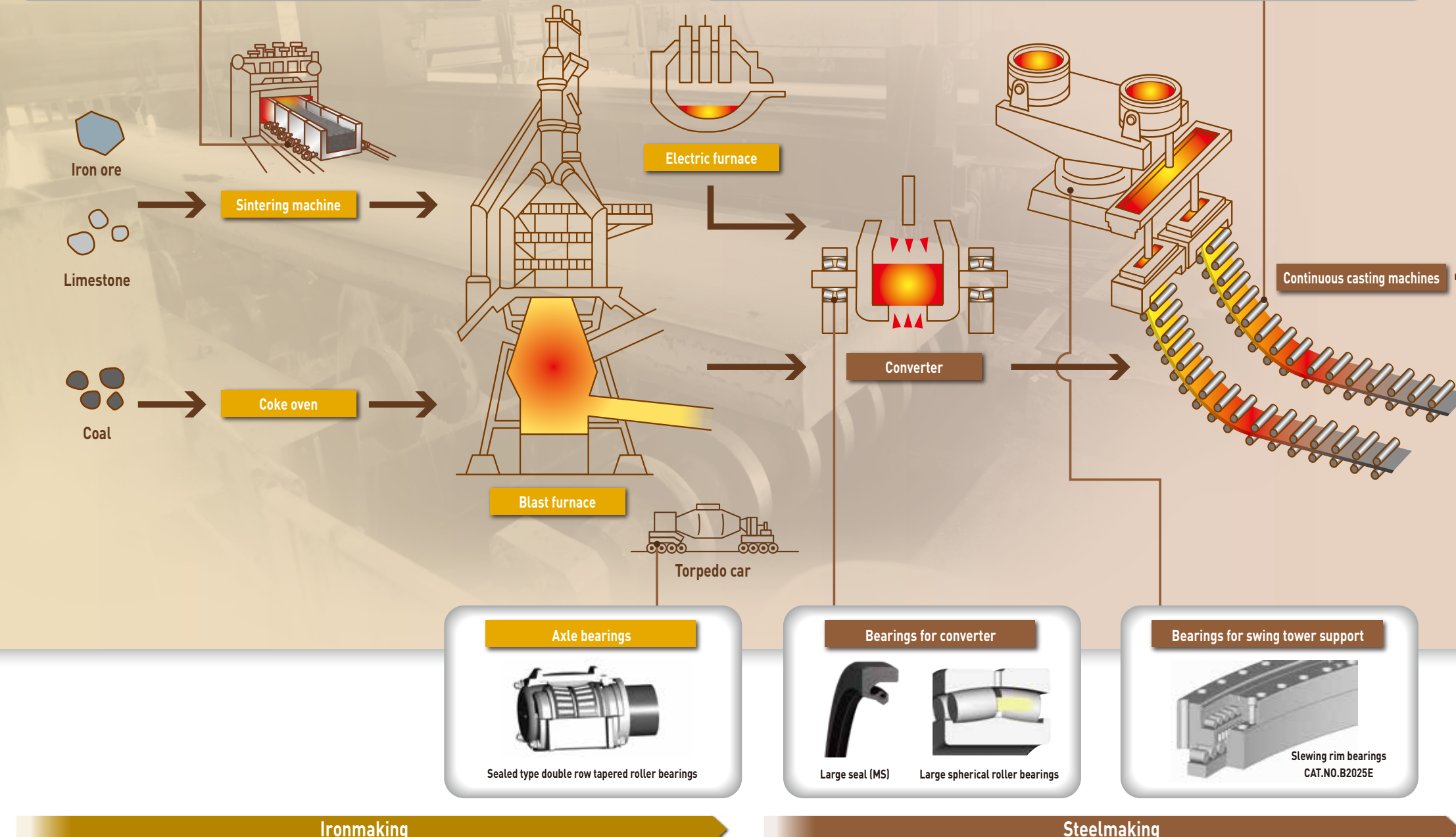
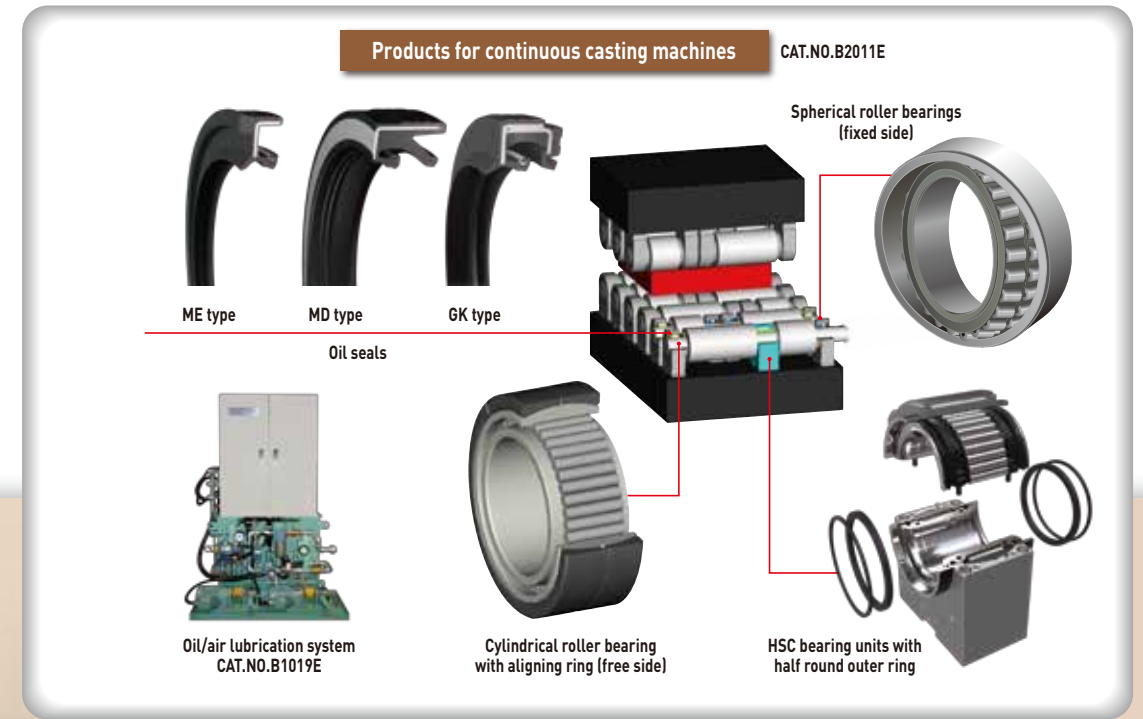
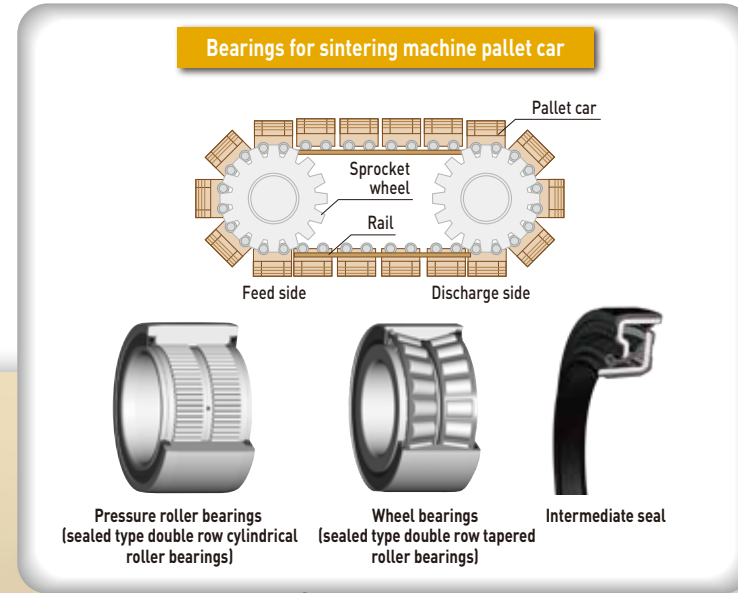
Only One Partner

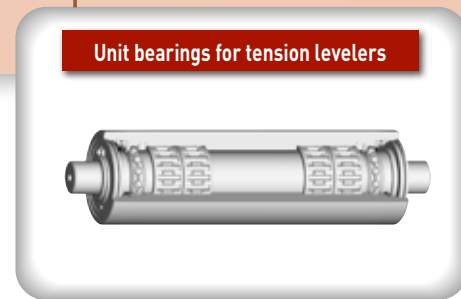
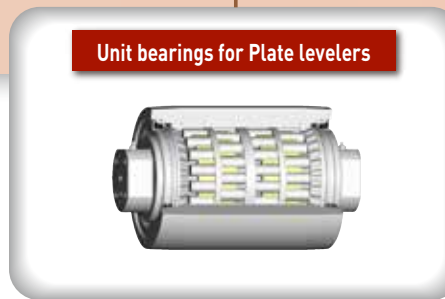
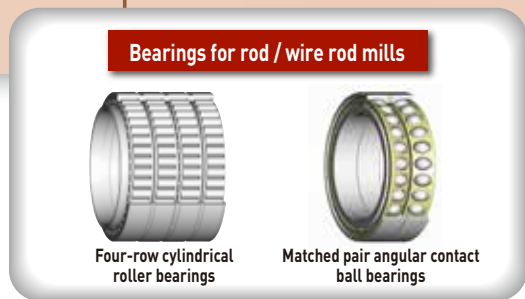
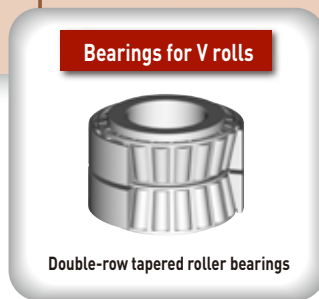
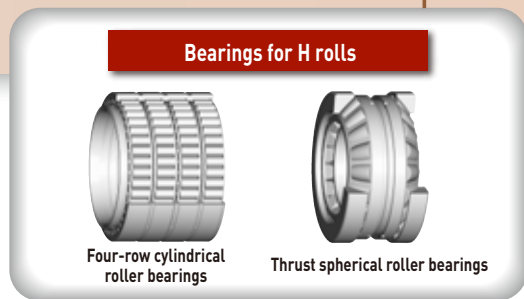
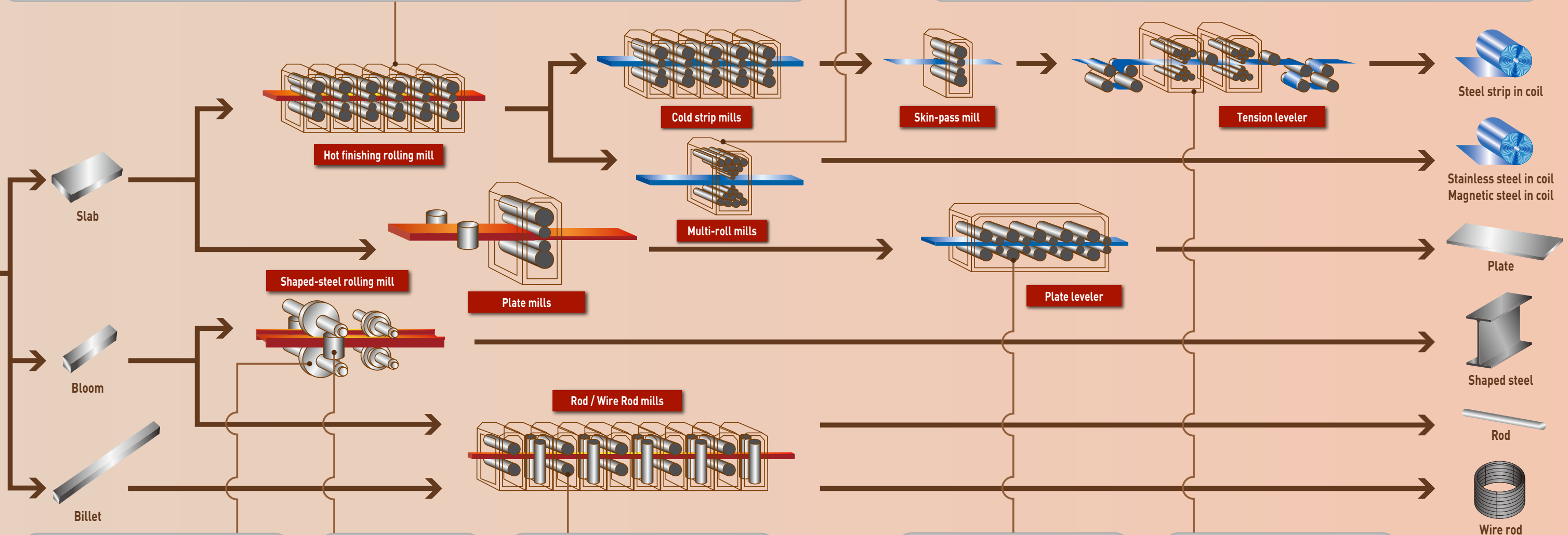
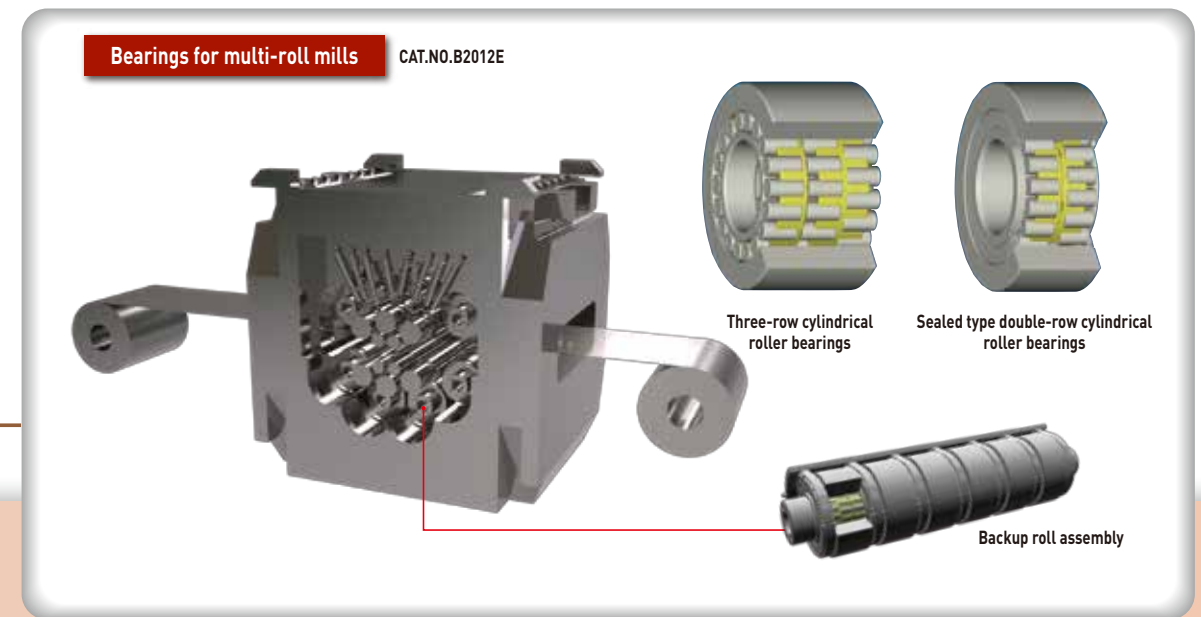
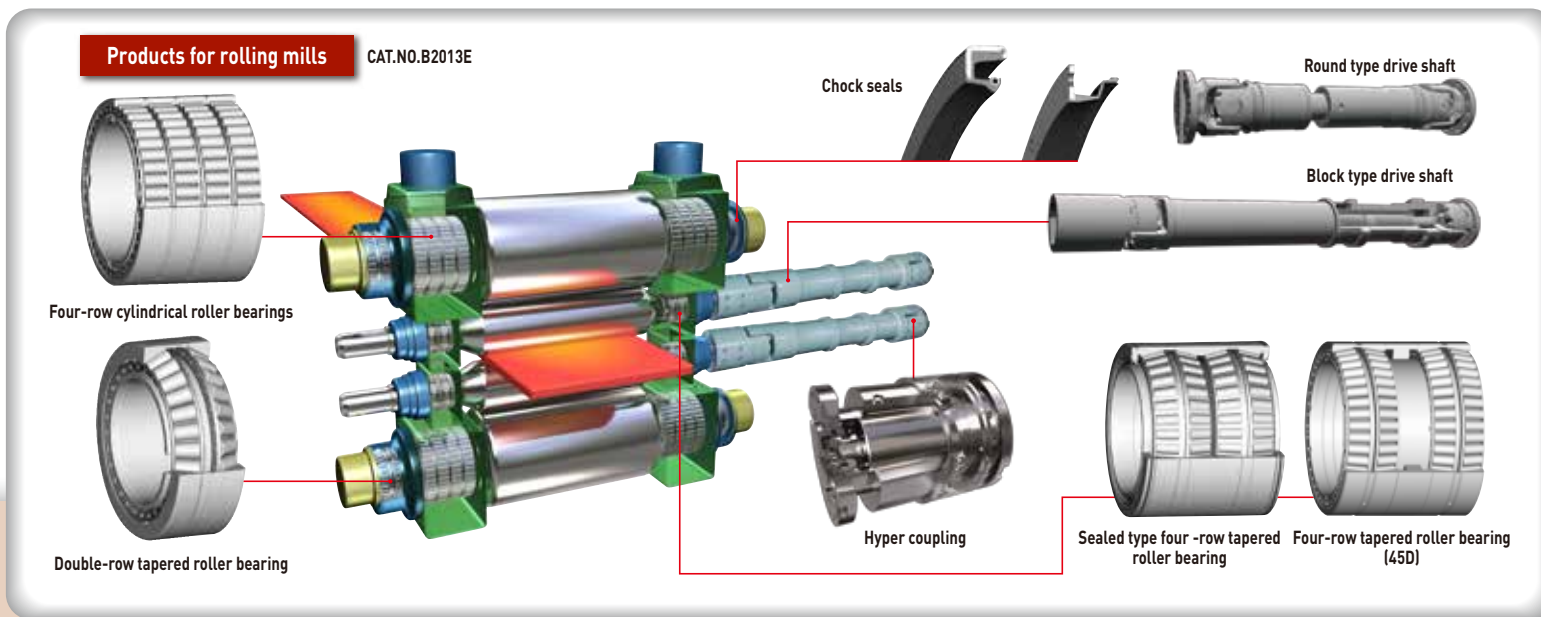
We will continue our efforts to enrich the JHS series.

History of JTEKT products for steel production equipment

Year	Social conditions / Trends	Steel manufacturer trends	Products
1940	WWII	Catch-up with industry overseas	<ul style="list-style-type: none"> Developed four-row tapered roller bearings for hot-strip mill work rolls (Japan 1st) Developed tapered roller bearings for hot-strip mill backup rolls (Japan 1st)
1950	Post-WWII	Industry overseas	<ul style="list-style-type: none"> Developed three-row cylindrical roller bearings with cage for Sendzimir mills First delivery of drive shafts for wire-rod mills (Japan 1st)
1960	High growth period	High-load/high-speed/continuous	<ul style="list-style-type: none"> Entered agreement with Sendzimir Japan, Ltd. to manufacture backup roll assemblies Started production of Sendzimir mill backup roll assemblies (Unique to Japan) Adopted roller bearings for 1,680m/min cold-strip mill backup rolls (Japan 1st) First delivery of drive shafts for cold-strip mills (Japan 1st) First delivery of drive shafts for hot-strip mills (Japan 1st)
1970	High growth period	Mass production; increase productivity; high-load/high-speed/continuous	<ul style="list-style-type: none"> Received award from the Japan Society of Mechanical Engineers for hot-strip mill drive shaft Developed sealed cylindrical roller bearings for Sendzimir mills
1975	Stable growth period	Stable growth period	<ul style="list-style-type: none"> Developed (sealed) roll neck bearings for 6HI work roll shift mills
1980	Stable growth period	Stable growth period	<ul style="list-style-type: none"> Improved bearings for backup rolls from oil-film bearings to roller bearings (Japan 1st) Developed split bearing units (spherical roller bearings)
1985	Bubble economy	Large-variety, low-volume production; improve thickness accuracy; reduce maintenance cost	<ul style="list-style-type: none"> Developed CR mill backup roll assemblies First delivery of drive shafts for hot-strip WR shift mills (Japan 1st) Developed fastening-ring split bearing units with fastening-ring Developed cylindrical roller bearings with self-aligning ring
1990	Bubble economy	Bubble economy	<ul style="list-style-type: none"> Developed oil/air lubrication system Developed long-life Cross & Bearing with different diameter rollers First delivery of drive shafts for pair cross mills Developed carburized steel (CH213) for large bearings
1995	Economic stagnation	Economic stagnation	<ul style="list-style-type: none"> Developed HSC split bearing units First delivery of drive shafts for Plate mills (World 1st)
2000	Economic stagnation	Economic stagnation	<ul style="list-style-type: none"> Developed new material for core hardening Developed sealed cylindrical roller bearings for new Sendzimir mill producing magnetic steel sheets Developed long-life Cross & Bearing with cross burnishing process
2005	Economic expansion	Economic expansion	<ul style="list-style-type: none"> First delivery of hyper coupling Adopted newly developed material and carbonitriding process (premium) for JHS520 highly corrosion-resistant long-life bearings
2010	Economic expansion	Economic expansion	<ul style="list-style-type: none"> Developed JHS210 high-performance backup roll bearings for new Sendzimir mill producing magnetic steel sheets Developed a long-life, high-speed JHS Series spherical roller bearings Commenced full-scale operation of the Large Bearing Technical Development Center
2015	Period of economic change	Period of economic change	<ul style="list-style-type: none"> Developed an oil seal for sealed-type, four-row tapered roller bearings, for roll neck Developed an oil seal for drive shaft cross bearings

Introduction to products for steel production equipment

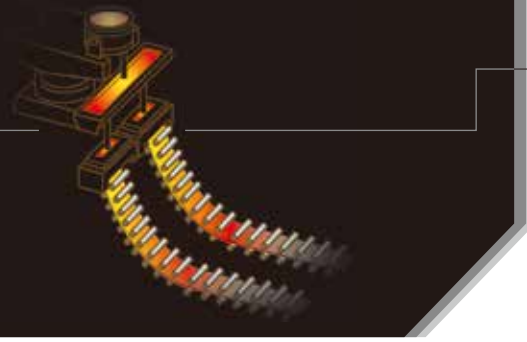




Rolling

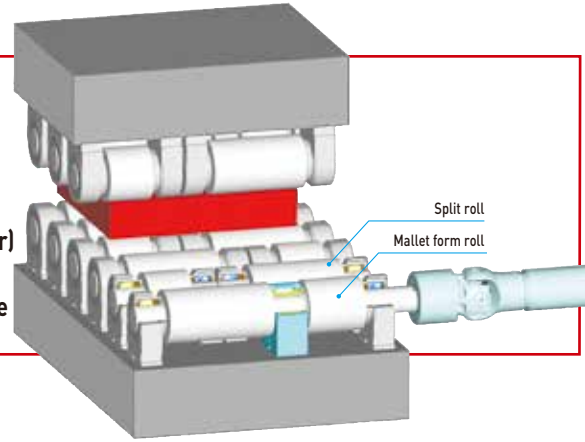
Products for continuous casting machines

Offering long-life bearings for systems, we manufacture bearings for continuous casting equipment, bearing housing units, oil/air lubrication devices, oil seals and other products.



Required performance and issues

- Measures for high contact stress/roll deflection under heavy load
- Measures for roll elongation under high temperature
- Measures for corrosion / lubrication failure due to the infiltration of steam (water)
- Measures for surface roughness / indentations due to the intrusion of mill scale

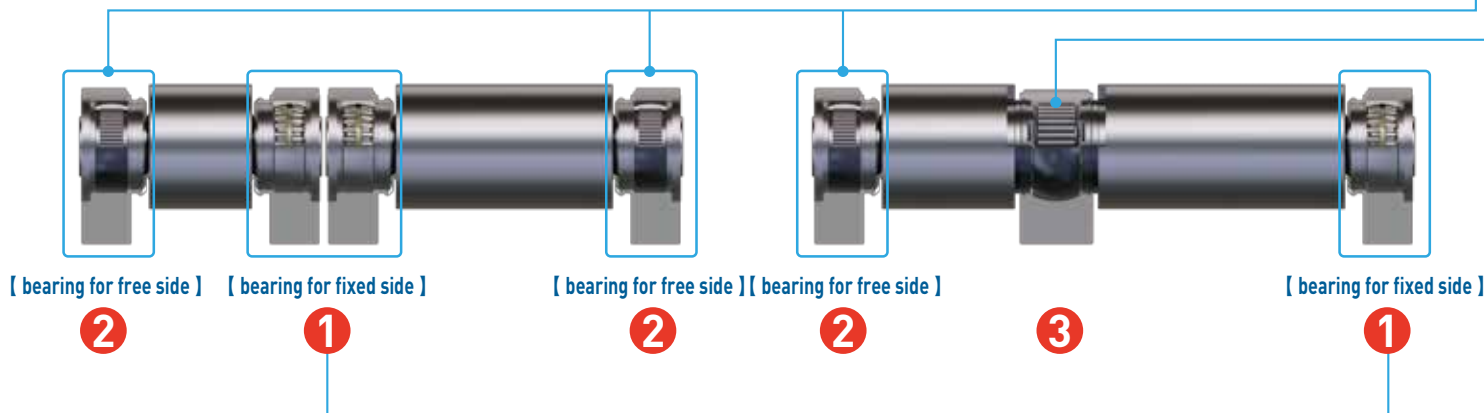


Roll configuration example 1 (single and split rolls)

Optimal configuration for roll elongation absorption using single and split rolls

Roll configuration example 2 (pestle-shaped roll)

Optimal configuration for roll elongation absorption using pestle-shaped roll



■ ■ Measures for heavy load / high temperature

1 RZ-type Spherical Roller Bearings

- Features**
- Designed for maximum load rating; internal design reduces contact stress
 - Designed to stabilize roll position
 - Resistant to high temperature for use in various environments

[Service life]

Conventional bearing

Approx. 1.3-fold

JHS series

Outer ring

• JTEKT specification steel

Roller

- Roller maximized
- Number of rollers increased
- Roller position stabilized

Inner ring

• JTEKT specification steel

Bearing composition diagram



■ ■ Measures for heavy load / high temperature

2 Cylindrical roller bearings with self-aligning ring

- Features**
- Smooth absorption of roll movement in the axial direction
 - Absorption of roll deflection and misalignment

[Static load rating]

Spherical roller bearings

Max. 10% increase (approx)

Cylindrical roller bearings with self-aligning ring



3 HSC bearing units with half round outer ring

- Features**
- Heavy load type using a compact sealing structure
 - Water-cooled structure with high cooling efficiency

[Service life]

Conventional unit

Approx. 2.4-fold

HSC bearing units with half round outer ring

[Rated static load]

Conventional unit

Max. 30% increase (approx)

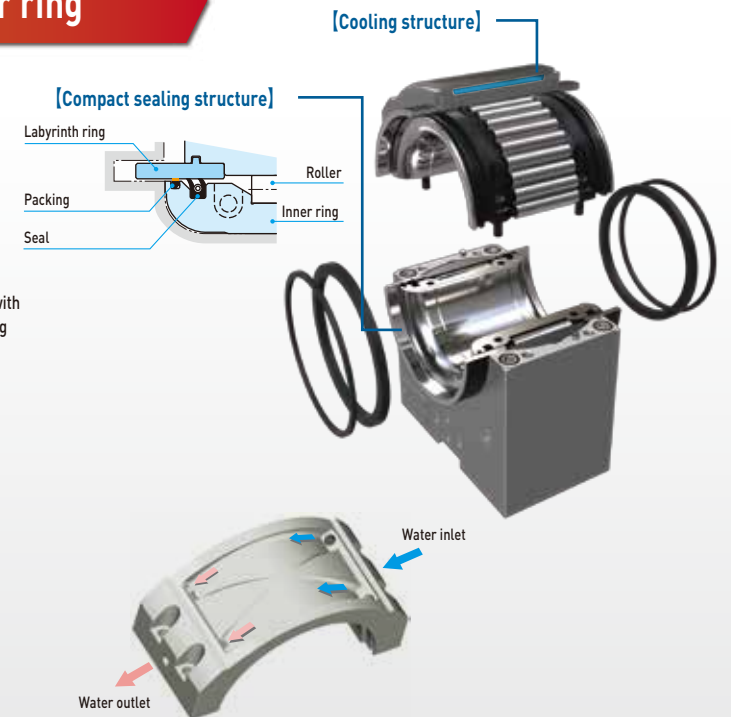
HSC bearing units with half round outer ring

[Flow consumption]

Conventional unit

Reduced 45% (approx)

HSC bearing units with half round outer ring



■ ■ Measures for intrusion of water / mill scale

Oil seals

- Features**
- Superior sealing performance
 - Lip contact stress dispersed
 - Materials used are hydrogenated nitrile rubber (HNBR) and fluoro rubber (FKM)



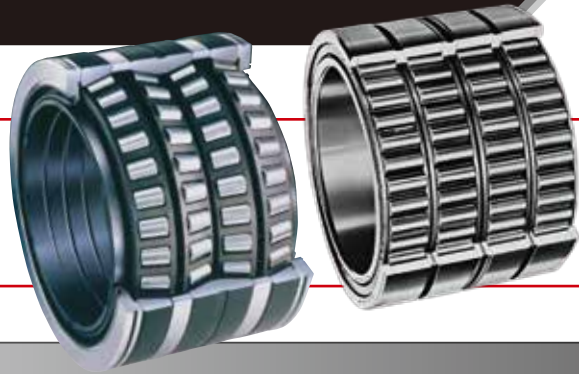
End side ME type

Roll side MD type

Roll side GK type

Bearings for roll necks

Bearings used to steel mill roll necks must cope with heavy loads and high-speed rotation in severe environments. In order to respond to these needs, JTEKT works daily to resolve related issues such as developing bearing materials and improving bearing seal performance.



Required performance and issues

- Enhancing durability and service life under heavy load / high-speed rotation
- Preventing the intrusion of water / mill scale

Improvement of durability and service life to withstand heavy loads and high-speed rotations

Long-life / high corrosion-resistant carburized steel

- Long-life and high corrosion-resistant steel with optimized content of chromium and molybdenum
- Original carbonitriding heat treatment improves corrosion-resistance and wear-resistance qualities



Standard
By using our newly developed case-hardening steel in the bearing rings, we have greatly improved the rolling life, toughness, and corrosion resistance compared to our conventional products.

Premium
By using our newly developed case-hardening steel and by applying special heat treatment, we have provided the premium specification with further improved rolling fatigue life and corrosion resistance.

	Results of evaluations of bearings in an environment prone to rust (filled with water-mixed grease)		Results of evaluations of bearings in clean oil	
	Rust resistance comparison	Rust resistance comparison Life (JTEKT bench test)		
Conventional product				
Developed steel, carburized product ① (JHS520 standard)		Approx. 2.2-fold		Approx. 4-fold
Developed steel, special heat treated product ① + ② (JHS520 premium)		Approx. 3.8-fold		Approx. 7-fold
Test conditions	Humidity cabinet test conditions Test temperature: 49°C ± 1°C Relative humidity: 95% or more Test period: 96 hours		Test piece form: 20 mm dia., 32 mm length Maximum contact stress: 5 800 MPa Loading cycle frequency: 285 Hz Lubricating oil: Turbine oil (ISO #VG68) Oil supply: 2 L/min (room temperature) * Test was stopped after 50 × 107 times.	

Examples of actual use

Cold strip mill work roll (open type)

Conventional type
Used approximately 4 million tons (under DS)
Approx. **5-fold**



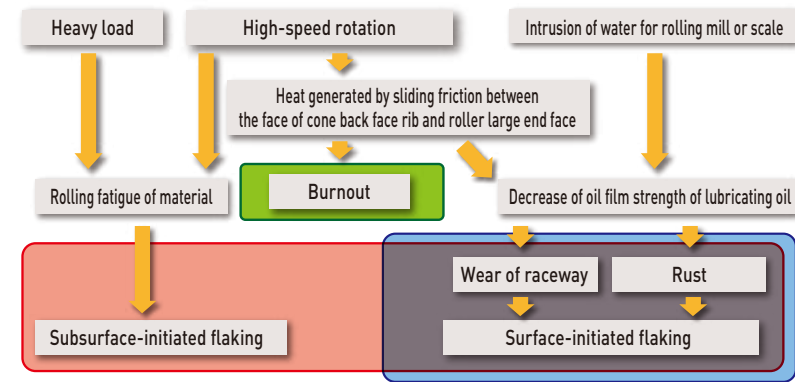
No flaking

Cold strip mill work roll (sealed type)

Conventional type
Used for approximately 24 mont (under OP)
Approx. **4.8-fold**



Hardly any indication of rust

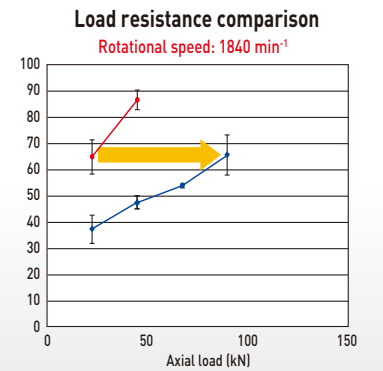
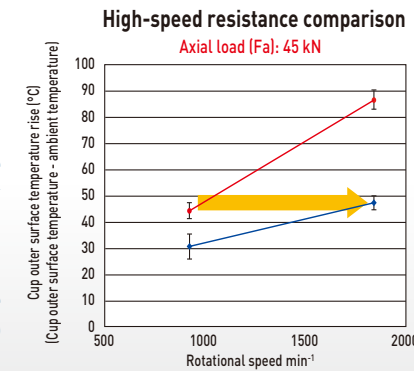


- (Countermeasure technologies)
- Long-life/high corrosion-resistant steel
 - Minimizing temperature increases
 - High-performance seal

Improvement of durability and service life to withstand heavy loads and high-speed rotations

Technology for minimizing temperature increases

- On the basis of the EHL theory, improvement of the lubrication of the rolling part between the roller large end face and the face of cone back face rib
- Optimization of the shapes and suppression of temperature rising for the rolling part between the roller large end face and the face of cone back face rib



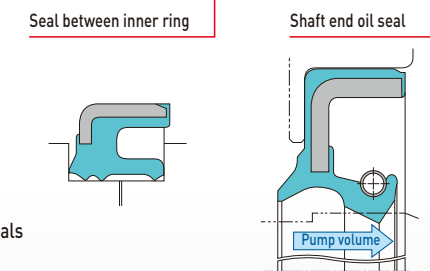
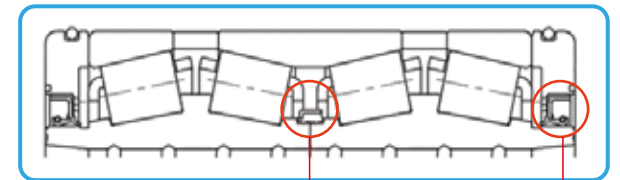
2 times the speed performance (at the same temperature rise)

4 times the load performance (at the same temperature rise)

Preventing intrusion of water / mill scale

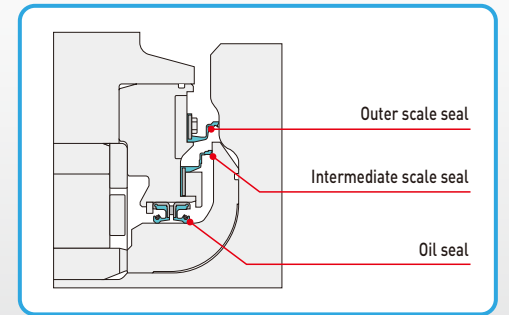
High sealing property oil seal for sealed-type, four-row tapered roller bearings

- Greater robustness due to improved sealing property
 - Optimization of seal lip shape
 - Maximized pump volume and reduced the amount of water infiltration into the interior of the bearing by **70% or more compared to conventional**
- Expanded application range of the conventional material (NBR: nitrile rubber)
 - Reduced seal lip temperature by **30% compared to conventional**
 - Expanded the application range of common and low-cost NBR to improve convenience
- Reduced maintenance costs
 - Contributed to reduction of customers' maintenance costs through extended service life of seals



Chock seals

- Original design realizes an optimal lip structure that demonstrates excellent sealing performance



For more information, please refer to catalog No. B2013E and No. B2002E.



Bearings for multi-roll mill backup rolls

We provide high-precision bearings with excellent durability based on long years of experience and achievements.



Required performance and issues

- Seal structure that maintains a favorable lubricated state
- Longer inner ring rolling fatigue service life
- Improving outer ring durability
- Improving outer ring rotational accuracy
- Improving ease of outer ring regrinding work

- Seal structure that maintains a favorable lubricated state
- Longer inner ring rolling fatigue service life
- Improving outer ring durability
- Improving outer ring rotational accuracy

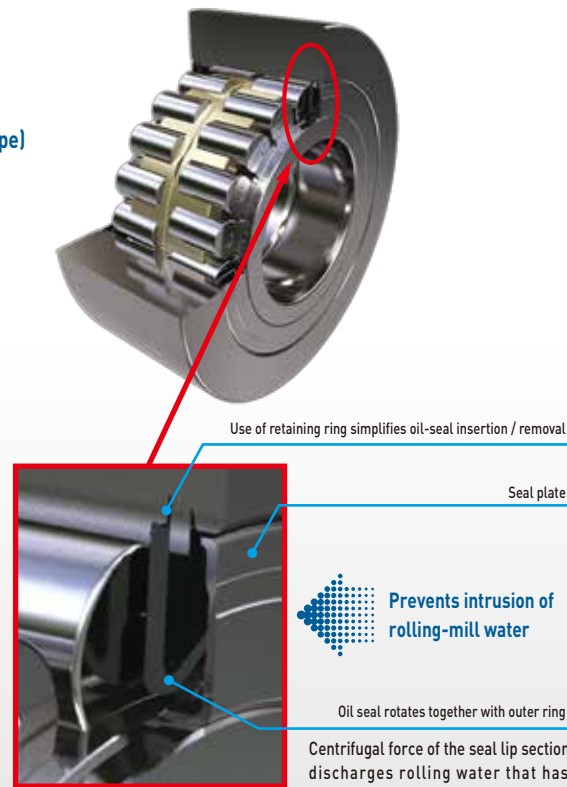
Bearings for oil mist lubrication

- Features**
- Improved bearing service life (2-fold/4-fold compared to the conventional type)
 - High sealing performance
 - Space-saving size for simple installation / removal

[Service life]



Case-hardened steel is used for the inner ring to suppress the loss of rolling service life under low-viscosity lubrication. For oil-seal materials, fluoro rubber is used, improving sealing performance and realizing an increase in bearing service life of approximately four-fold compared to the conventional type.



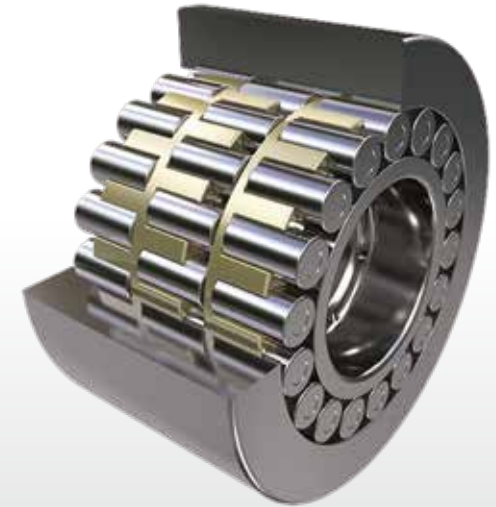
Bearings for forced oil lubrication

- Longer inner ring rolling fatigue service life
- Improving outer ring durability
- Improving outer ring rotational accuracy

- Features**
- Outer ring with both high rigidity and durability realized
 - High resistance to fatigue realized owing to superior materials composition
 - Design optimized to match surrounding structure



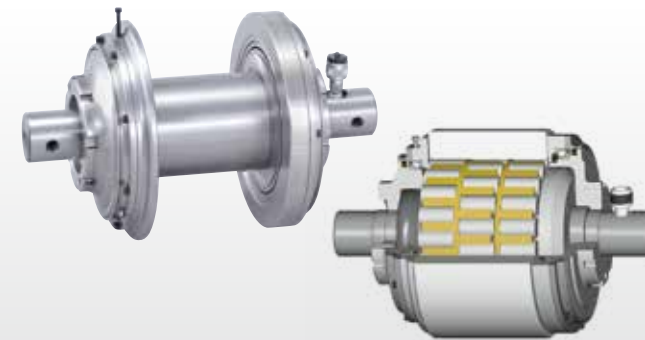
Case-hardened steel is used for the inner ring to suppress the loss of rolling service life under low-viscosity lubrication. Bearing service life is approx. 1.5-3-fold that of conventional products.



- Improving ease of outer ring regrinding work

Bearings-regrinding Jigs

- Features**
- Bearing radial runout minimized
 - Installation / removal work simplified
 - Reproduction of radial runout accuracy equivalent to that when product is new



- Improving ease of outer ring regrinding work

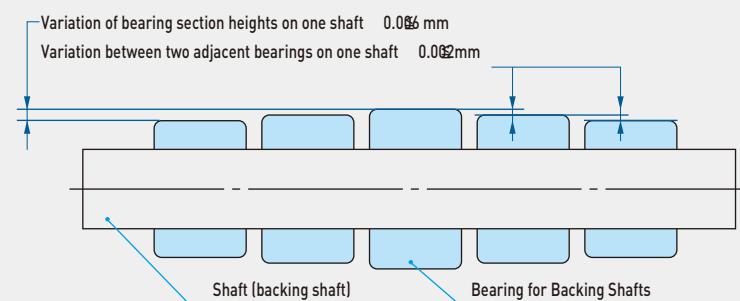
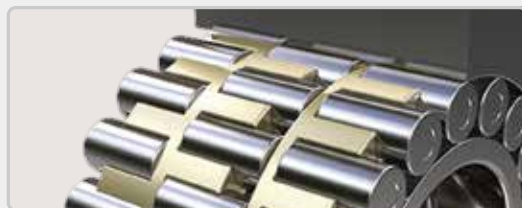
Measurement for Bearing Section Height

- Features**
- High rigidity, possible to make extremely accurate measurements
 - Possible to measure outer ring rotational accuracy
 - Adoption of mandrel shape realizes easy bearing insertion / removal



Optimized load distribution

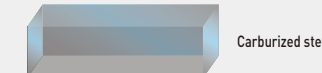
Contributes to rolled coil quality / precision



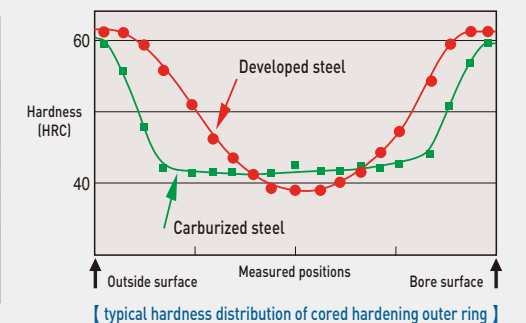
Core hardening

Surface-hardened layer improved approximately 3-fold

[Surface-hardened layer]



Approx. 3-fold



For more information, please refer to catalog No. B2012E.



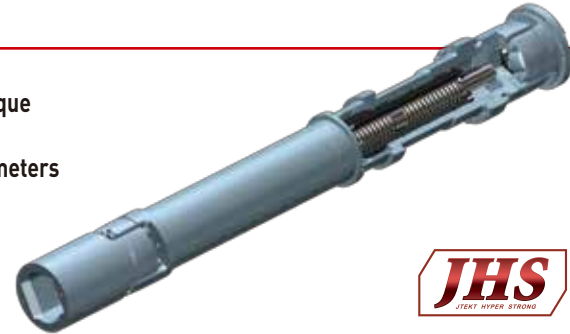
Drive shafts for rolling mills

We provide high-strength, long-life drive shafts that have good torque transfer efficiency under severe environments.

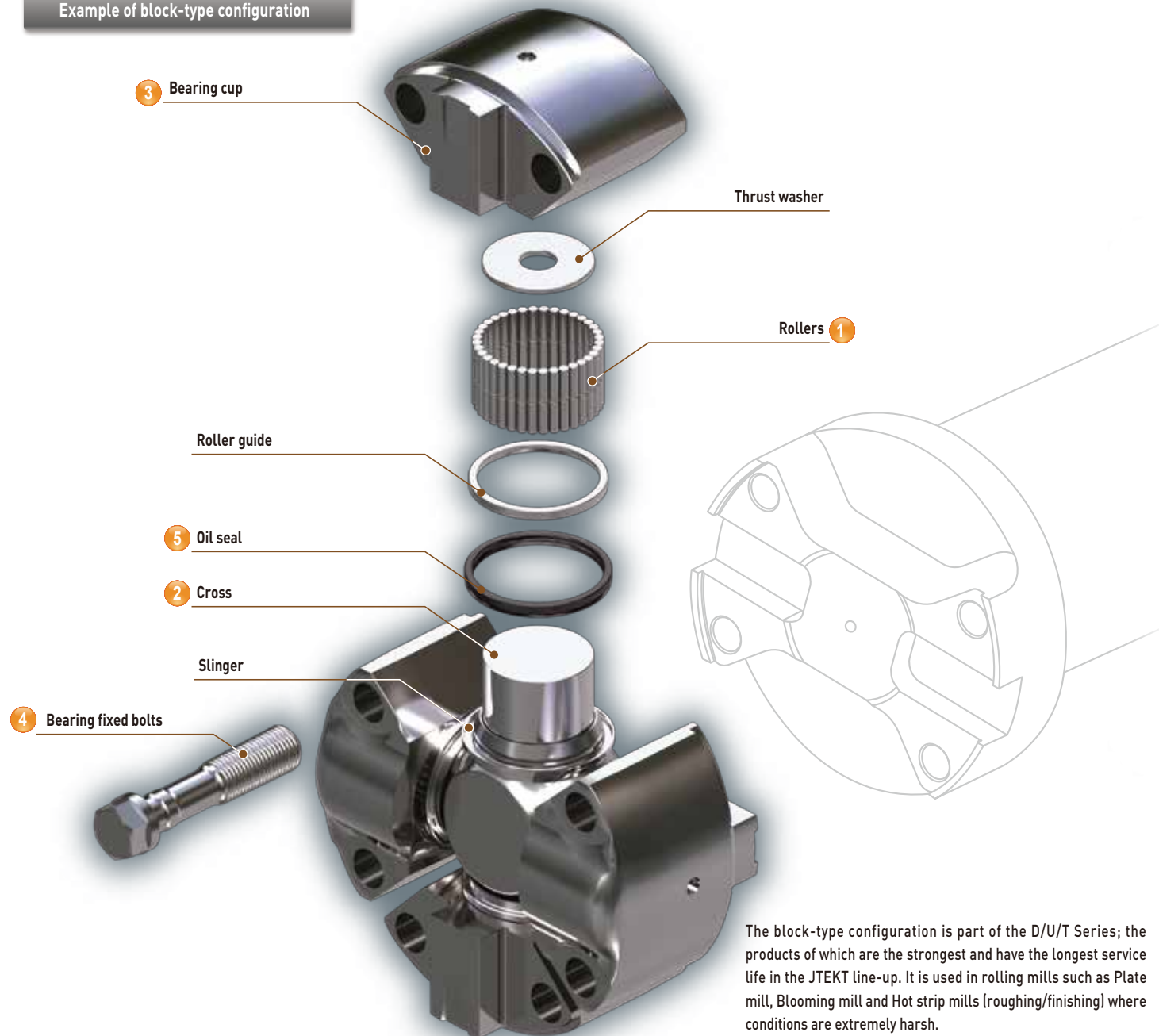


Required performance and issues

- Stronger, longer-life drive shafts capable of handling increased rolling torque
- Stronger, longer-life drive shafts for use with smaller rolling-mill roll diameters
- Protecting rolling-mill drive systems from excessive torque
- Ability to randomly adjustment the roll rotational phase



Example of block-type configuration



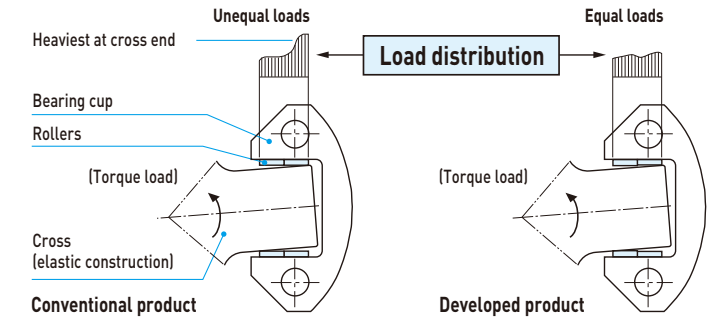
The block-type configuration is part of the D/U/T Series; the products of which are the strongest and have the longest service life in the JTEKT line-up. It is used in rolling mills such as Plate mill, Blooming mill and Hot strip mills (roughing/finishing) where conditions are extremely harsh.

■ ■ Contributing to stronger, longer-life drive shafts

1 Application of different diameter rollers for cross & bearing

Features Roller diameter at the end of the cross reduced slightly
 ◉ Uniform multi-row roller load

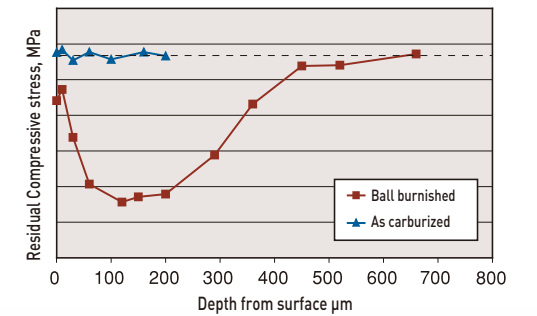
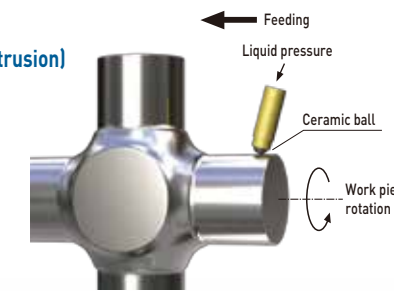
[Longer service life]



2 Ball burnishing on cross shaft

Features • Increasing of residual compressive stress at subsurface
 • Increasing of surface hardness
 • Fine surface roughness (Removal protrusion)

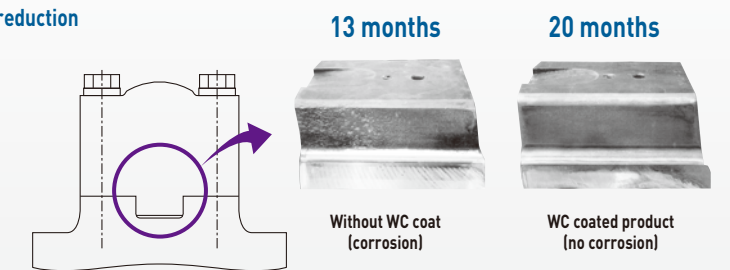
[Longer service life]



3 Thermal spraying coat of tungsten carbide (WC) on bearing cup key

Features Restraining of clearance between key and key way due to corrosion wear
 ◉ Alleviating bending stress of bolt ··· Restraint of Strength reduction
 ◉ Minimizing heavy load at cross end ··· Longer service life

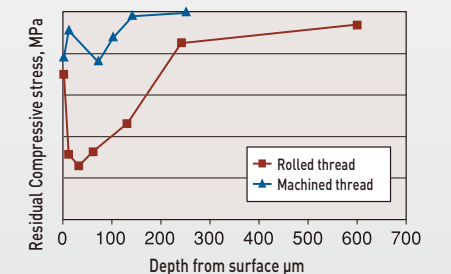
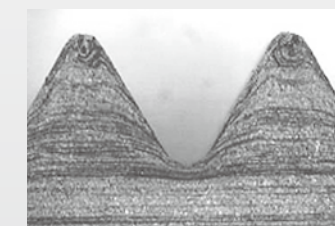
[Improved corrosion resistance]



4 Application of form rolling to bearing set Bolt

Features • Thread section processing changed from machining to form after heat treatment
 • Fiber flow is formed along the shape of the thread
 • Residual compressive stress at subsurface beneath the bottom radius of the thread increases

[Improved fatigue strength]

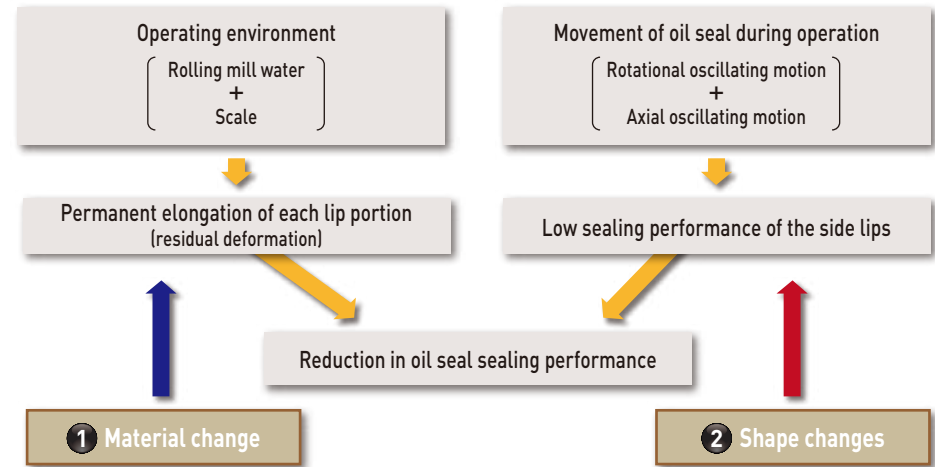


For more information, please refer to catalog No. B2021E.

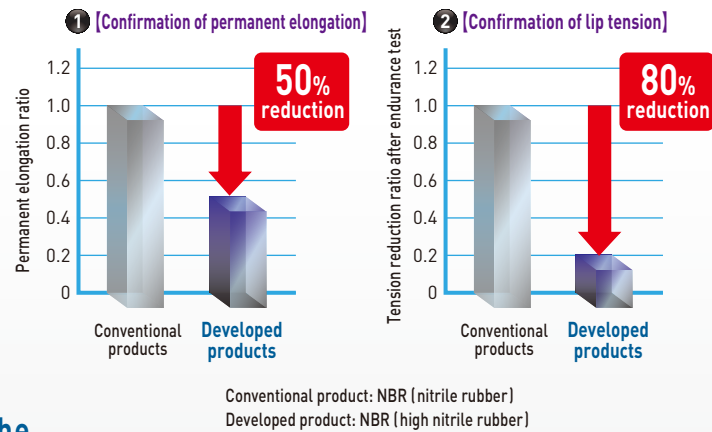


Improved service life of oil seals and cross bearings

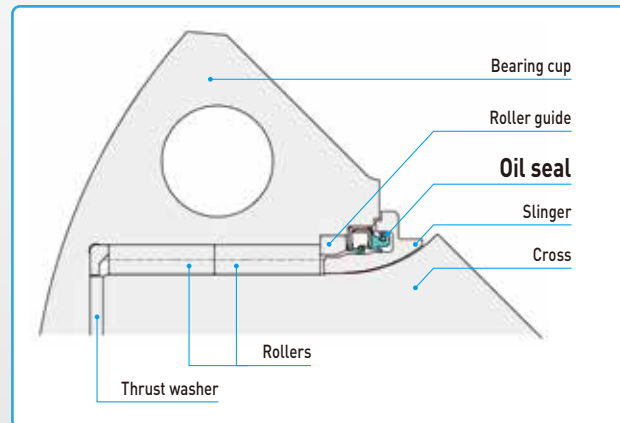
5 Development of a high-sealing oil seal



- Features**
- 1 Improved sealing performance through material change**
 - Reduction of permanent elongation under rolling mill water and high temperature (90°C) environment by 50% compared to conventional
 - 2 Improved sealing performance through shape change**
 - By changing from side lip seal thrust contact to radial contact, sealing performance relative to axial oscillating motion has improved
 - Reduced decline in lip tension by 80% compared to conventional



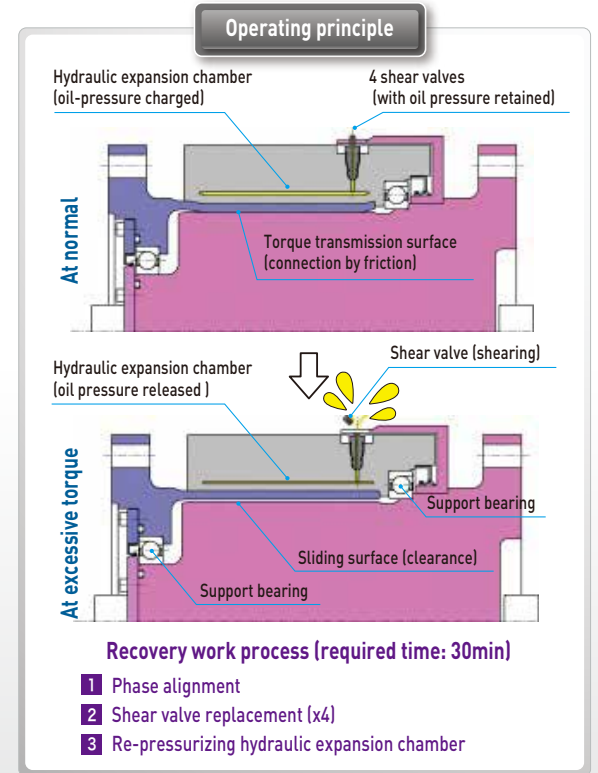
These changes suppress sudden damage to the cross bearing caused by deterioration in lubricating ability, thus contributing to reduced maintenance costs and improved productivity for customers.



Optional mechanisms supporting drive shafts for rolling mill

Hyper coupling (torque limiter)

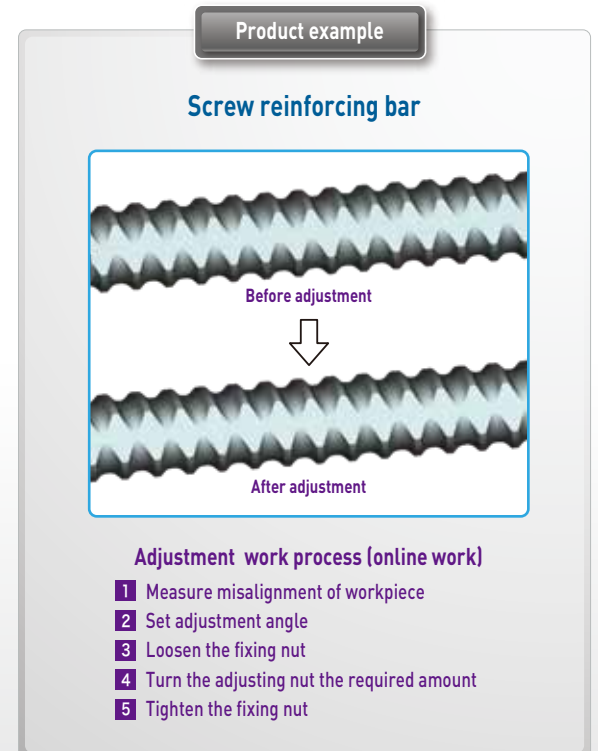
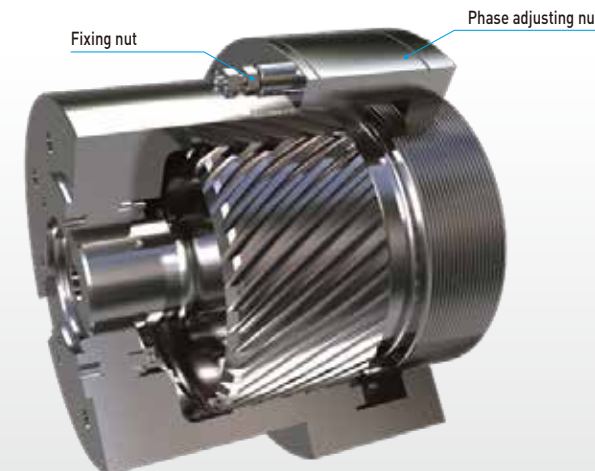
- Features**
- Device for protecting rolling mill drive system from excessive torque
 - Significantly improved operating precision and durability
 - Easy to set operating torque
 - Significant reduced recovery time after finishing operation



Optional mechanisms supporting drive shafts for rolling mill

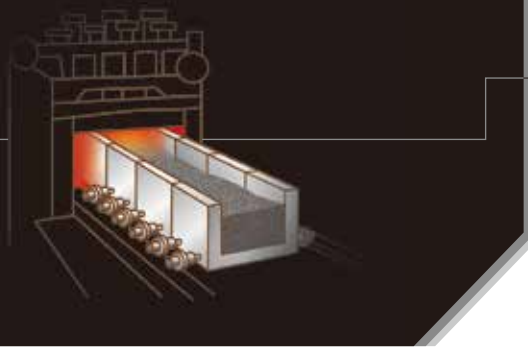
Roll phase adjustment device (for bar & rod mill)

- Features**
- Device enables the rotational phase of rolls to be randomly adjusted when producing screw reinforcing bar and deformed steel bar used for construction.
 - Phase can be adjusted almost seamlessly in a short time, improving product accuracy.
 - Operation being possible without dismantling the drive shafts.



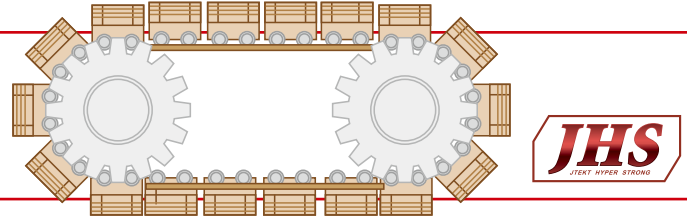
Bearings for sintering machine pallet car

Sintering machines are used in harsh environments where high temperatures and large amounts of dust are generated. We provide sealed bearings and mill-scale seals capable of withstanding these kinds of environments.



Required performance and issues

- Measures for heavy load / shock load
- Preventing intrusion of dust



Pressure roller bearings (sealed type double row cylindrical roller bearings)

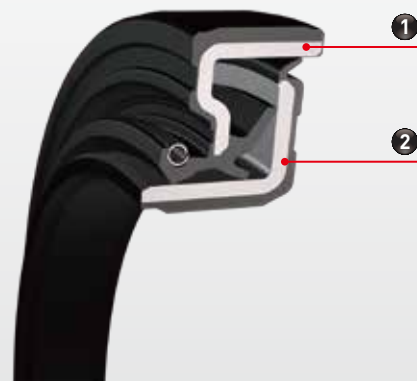
- Features**
- Optimized outer ring thickness and carburized steel adopted
 - ➔ Capable of withstanding heavy loads/impact loads
 - Sealing structure using special seal
 - ➔ Prevents the intrusion of dust
 - Full roller shape adopted
 - ➔ High load capacity realized

Wheel bearings (sealed type double row tapered roller bearings)

- Features**
- Integrated seal structure offers both high load capacity and excellent sealing performance
 - ➔ Can withstand heavy loads and prevents the intrusion of dust

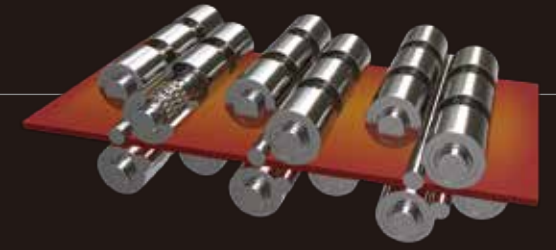
Intermediate seal

- Features**
- Structure combining two parts (① and ②)
 - ➔ No damage to peripheral parts
 - High sealing performance owing to multilayer lip structure
 - ➔ Prevents the intrusion of dust



Bearing units for plate levelers

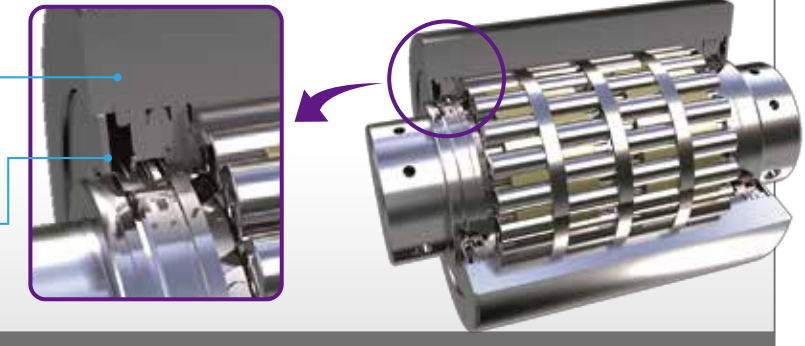
We provide plate leveler units to cope with severe usage environments such as heavy loads, rust and the intrusion of water / foreign matter.



Required performance and issues

- Stable operation under heavy load
- High corrosion resistance
- Prevent the intrusion of water / foreign matter

- Roll strength and bearing load rating improved as the result of integrating the roll and outer ring structure
- Special stainless steel for rolls developed
- Seal and shield are combined to form a labyrinth structure that has excellent sealing performance



Bearing units for tension levelers

We provide optimal tension leveler units that are compatible for high-speed rotation, wet / dry environments and low torque.

Required performance and issues

- Low torque
- Tightly sealed structure
- High section height accuracy

- Wet-specification unit has an oil seal that forms a tightly sealed structure and also realizes lower torque
- Dry-specification unit has a labyrinth seal structure that realizes the lowest possible torque
- Addition of a suitable, uniform corrective force by controlling bearing section height (H) dimensional accuracy



Large Size Bearing Technology Development Center

JTEKT's accumulated knowledge and experience helps our customers solve problems. We provide new, high-value-added products and processes for businesses with a global supply system developed to meet those demands.



Regarding large bearings used in the industrial machinery field, there have been many cases in the past where customers evaluate by using actual machines after conducting desk review and basic evaluation. As a result, development took too long due to unforeseen problems that arose. At the Large Size Bearing Technology Development Center which was established and launched operations, evaluation tests in environments close to actual machines are now possible within JTEKT. The accumulated data will be used to raise the accuracy of CAE analysis (simulation analysis) which will result in significant reduction of the product developmental period as well as the development of new, high-value-added products.

Catalog Series for JTEKT Steel Production Equipment Products

Please contact JTEKT to request a catalog or for advice regarding other technical issues or concerns.

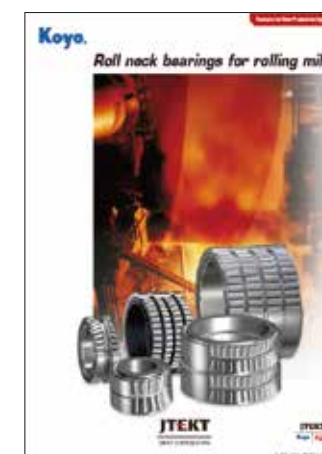
JHS Series RZ-type Spherical Roller Bearings

CAT.NO.B2023E



Roll neck bearings for rolling mill

CAT.NO.B2013E



Cylindrical Roller Bearings for Multi-roll Mill Backup Rolls

CAT.NO.B2012E



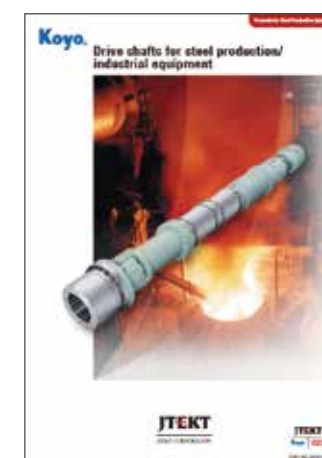
Oil Seal For Steel Production Equipment

CAT.NO.B1020E



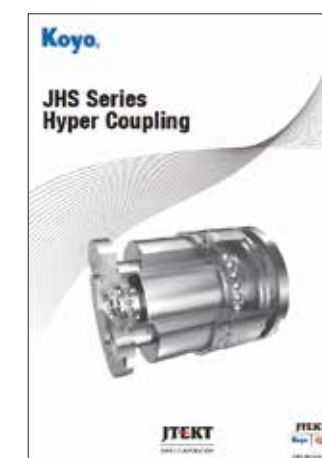
Drive shafts for steel production /industrial equipment

CAT.NO.B2021E



JHS Series Hyper Coupling

CAT.NO.B1010E



Bearing testing equipment for steel production equipment

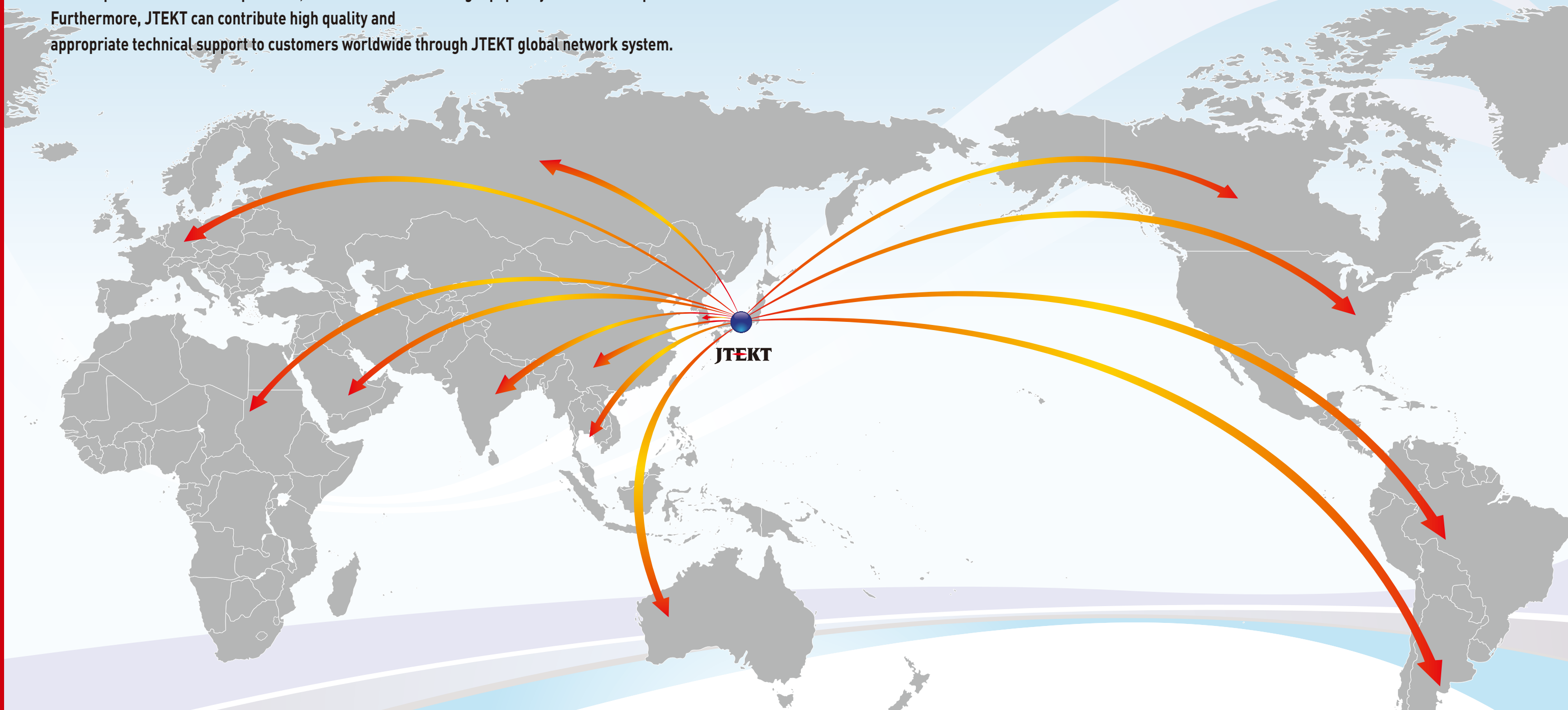
Our testing equipment is able to evaluate the scattering rolling mill water in high-temperature environments to recreate close to actual conditions.

In this way, we can deliver bearings and oil seal components with excellent performance.



Providing high quality and cutting- edge technology for the world

Manufacturing in Japan enables JTEKT state- of- the- art material and technology to be implemented to JTEKT products, which leads to delivering top quality and excellent performance. Furthermore, JTEKT can contribute high quality and appropriate technical support to customers worldwide through JTEKT global network system.



Our Customers around the World

JTEKT Technologies and Quality from Japan

OFFICES**KOYO CANADA INC.**

3800A Laird Road, Units 4&5 Mississauga, Ontario L5L 0B2, CANADA
TEL : 1-905-820-2090
FAX : 1-877-326-5696

JTEKT NORTH AMERICA CORPORATION**-Regional Headquarters-**

7 Research Drive Greenville, SC 29607, U.S.A.
TEL : 1-864-770-2100
FAX : 1-864-770-2399

-Plymouth Office-

47771 Halyard Drive, Plymouth, MI 48170, U.S.A.
TEL : 1-734-454-1500
FAX : 1-734-454-7059

-Cleveland Office-

29570 Clemens Road, P.O.Box 45028, Westlake,
OH 44145, U.S.A.
TEL : 1-440-835-1000
FAX : 1-440-835-9347

-Chicago Office-

316 W University Dr., Arlington Heights, IL 60004, U.S.A.
TEL : 1-847-253-0340
FAX : 1-847-253-0540

KOYO MEXICANA, S.A. DE C.V.

Av. Insurgentes Sur 2376-505, Col. Chimalistac, C.P. 01070,
Del. Alvaro Obregón, México, D.F.
TEL : 52-55-5207-3860
FAX : 52-55-5207-3873

KOYO LATIN AMERICA, S.A.

Edificio Banco del Pacífico, Planta Baja, Calle Aquilino de la
Guardia y Calle 52, Panama, REPUBLICA DE PANAMA
TEL : 507-208-5900
FAX : 507-264-2782/507-269-7578

KOYO ROLAMENTOS DO BRASIL LTDA.

Avenida Brigadeiro Faria Lima, 1744 – 1st Floor – CJ. 11,
Jardim Paulistano, Sao Paulo - SP - Brazil CEP 01451-001
TEL : 55-11-3372-7500
FAX : 55-11-3887-3039

KOYO MIDDLE EAST FZE

6EA 601, Dubai Airport Free Zone, P.O. Box 54816, Dubai,
U.A.E.
TEL : 97-1-4299-3600
FAX : 97-1-4299-3700

KOYO BEARINGS INDIA PVT. LTD.

C-101-108&114-117 First Floor, M3M Cosmopolitan, Golf Course
Extension Road, Sector-66, Gurugram, Haryana 122002, INDIA
TEL : 91-124-4264601/03
FAX : 91-124-4288355

JTEKT (THAILAND) CO., LTD.

172/1 Moo 12 Tambol Bangwua, Amphur Bangpakong,
Chachoengsao 24180, THAILAND
TEL : 66-38-533-310-7
FAX : 66-38-532-776

PT. JTEKT INDONESIA

Jl. Surya Madya Plot I-27b, Kawasan Industri Surya Cipta,
Kutanegara, Ciampel, Karawang Jawa Barat, 41363 INDONESIA
TEL : 62-267-8610-270
FAX : 62-267-8610-271

KOYO SINGAPORE BEARING (PTE.) LTD.

24 Penjuru Road #06-01 CWT Commodity Hub,
SINGAPORE 609128
TEL : 65-6274-2200
FAX : 65-6862-1623

JTEKT KOREA CO., LTD.

Seong-do Bldg 13F, 207, Dosan-Dearo, Gangnam-Gu, Seoul,
06026, KOREA
TEL : 82-2-549-7922
FAX : 82-2-549-7923

JTEKT (CHINA) CO., LTD.

Room.25A2, V-Capital Building, 333 Xianxia Road, Changning
District, Shanghai 200336, CHINA
TEL : 86-21-5178-1000
FAX : 86-21-5178-1008

KOYO AUSTRALIA PTY. LTD.

Unit1/17 Stanton Road, Seven Hills, NSW, 2147, AUSTRALIA
TEL : 61-2-8719-5300
FAX : 61-2-8719-5333

JTEKT EUROPE BEARINGS B.V.

Markerkant 13-01, 1314 AL Almere, THE NETHERLANDS
TEL : 31-36-5383333
FAX : 31-36-5347212

-Benelux Branch Office-

Energieweg 10a, 2964 LE, Groot-Ammers, THE NETHERLANDS
TEL : 31-184-606800
FAX : 31-184-606857

KOYO KULLAGER SCANDINAVIA A.B.

Johanneslundsvägen 4, 194 61 Upplands Väsby, SWEDEN
TEL : 46-8-594-212-10
FAX : 46-8-594-212-29

KOYO (U.K.) LIMITED

Whitehall Avenue, Kingston, Milton Keynes MK10 OAX,
UNITED KINGDOM
TEL : 44-1908-289300
FAX : 44-1908-289333

KOYO DEUTSCHLAND GMBH

Bargkoppelweg 4, D-22145 Hamburg, GERMANY
TEL : 49-40-67-9090-0
FAX : 49-40-67-9203-0

KOYO FRANCE S.A.

1 rue François Jacob, 92500 Rueil Malmaison, FRANCE
TEL : 33-1-4139-8000
FAX : 33-1-3998-4230

KOYO IBERICA, S.L.

Centro de Negocios Calle La Mancha no.1,
oficina 1.2 28823 Coslada, Madrid, SPAIN
TEL : 34-91-329-0818
FAX : 34-91-747-1194

KOYO ITALIA S.R.L.

Via Stephenson 43/a 20157 Milano, ITALY
TEL : 39-02-2951-0844
FAX : 39-02-2951-0954

-Romanian Representative Office-

24, Lister Street, ap. 1, sector 5, Bucharest, ROMANIA
TEL : 40-21-410-4182
FAX : 40-21-410-1178

PUBLISHER**JTEKT CORPORATION NAGOYA HEAD OFFICE**

No.7-1, Meieki 4-chome, Nakamura-ku, Nagoya, Aichi 450-8515, JAPAN TEL:81-52-527-1900 FAX:81-52-527-1911

JTEKT CORPORATION OSAKA HEAD OFFICE

No.5-8, Minamisemba 3-chome, Chuo-ku, Osaka 542-8502, JAPAN TEL:81-6-6271-8451 FAX:81-6-6245-3712

Sales & Marketing Headquarters

No.5-8, Minamisemba 3-chome, Chuo-ku, Osaka 542-8502, JAPAN TEL:81-6-6245-6087 FAX:81-6-6244-9007

☆ The contents of this catalog are subject to change without prior notice. Every possible effort has been made to ensure that the data herein is correct; however, JTEKT cannot assume responsibility for any errors or omissions.

Reproduction of this catalog without written consent is strictly prohibited.